



Setscrew Ball Bearings

Features/Benefits	B3-2
How To Order / Nomenclature	B3-4
Selection	B3-6
Selection/dimensions	
Pillow Block	
SC-Normal Duty	B3-10
SCAH Air Handling Normal Duty	B3-14
SCB Normal Duty	B3-18
SCHB Air Handling Normal Duty	B3-22
SCH Expansion and Non-Expansion	B3-26
SCMAH Air Handling Medium Duty	B3-30
VSC Intermediate Duty	B3-32
VSCB Intermediate Duty Pillow Blocks	B3-36
CC Ball Bearing Fan and Blower Pillow Blocks	B3-38
SL Light Duty	B3-40
SC Normal Duty Tapped	B3-42
Flanges	
2-Bolt Flange	B3-44
3-Bolt Flange	B3-64
4-Bolt Flange	B3-70
Piloted Flange	B3-86
Take-Ups	
SC-Normal Duty Narrow Slot	B3-90
SCM - Medium Duty Narrow Slot	B3-94
VSC - Intermediate Duty Narrow Slot	B3-96
SC-Normal Duty Wide Slot	B3-98
SCM-Normal Duty wide Slot	B3-102
VSC - Intermediate Duty wide Slot	B3-106
Type G Normal Duty Top Angle	B3-110
Hanger Bearings	
SC Normal Duty	B3-114
SC Normal Duty Screw Conveyor	B3-116
SC Normal Duty Cylindrical Units	
Inserts	
SC - Normal Duty Inserts	B3-120
SCH Expansion and Non-Expansion	B3-124
SCM Medium Duty	B3-126
VSC - intermediate Duty	B3-128
CC Ball Bearing Fan and Blower	B3-130
Modification/Accessories	B3-132
Related Products	
High Temperature Ball Bearings	B3-133
End Closures	B3-136
Part Number Index	INDEX-1
Keyword Index	INDEX-34

FEATURES/BENEFITS

DODGE



Setscrew Ball Bearings

For over 70 years, DODGE has been talking to mounted bearing users and listening to their needs. This experience led to the design of the optimum mounted ball bearing. A state-of-the-art facility was built in Rogersville, Tennessee, to manufacture the new DODGE design.

The result is the DODGE SC/SCM VSC/SL line. It is the most current design setscrew mounted ball bearing on the market and provides the user unmatched quality and true total value.

- Light Duty Narrow Inner Ring (SL)
- Intermediate Duty Narrow Inner Ring (VSC)
- Normal Duty Wide Inner Ring (SC)
- Medium Duty Wide Inner Ring (SCM)
- Wide Variety of Housing Configurations
- Available in 1/2 to 3-1/2 (17 to 90mm) Bore Sizes
- Seal Options:
 - Flingers on SC/SCM (flingers are standard on E-Z KLEEN® nickel plated and Screw Conveyor Hanger Bearings)
 - Low friction labyrinth on SC/SCM
- Other Options:
 - Corrosion resistant inserts for SC/SCM, E-Z KLEEN and nickel plate
 - FDA/USDA lubricant and other special lubricants
 - High temperature SC/SCM designed for temperatures from 225°F to 400°F. Factory assembled to order.

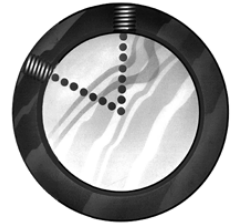
For application assistance, contact
DODGE Engineering
Phone 864-281-2195
Fax 864-281-2317

DODGE End Covers

Available from stock to fit SC, SCM and VSC mounted units, these end covers are designed for added protection from contaminants as well as for OSHA requirements. Covers are OSHA yellow.



Superior Locking Forces



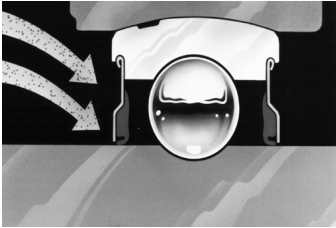
The DODGE SC/SCM/VSC/SL line uses 65° design which offers an optimum balance between locking force and inner ring stress.





Setscrew Ball Bearings

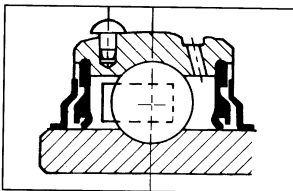
The DODGE PROGUARD™ Seal



PROGUARD positive contact, low drag rubber seal

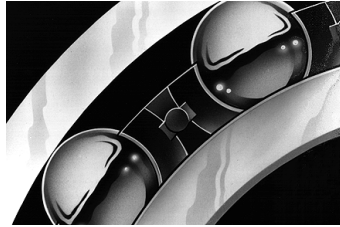
DODGE SC/SCM/SSC/SL mounted ball bearings use the field proven PROGUARD land-riding contact seal with steel shield protection. This highly effective positive seal design assures uniform lip contact with the inner ring to seal out contaminants and seal in lubricants.

DODGE PROGUARD PLUS SEAL



On SC/SCM optional fingers can be added to form a tight labyrinth with the PROGUARD seal and provide additional seal protection against contaminants and trash.

Stronger, More Flexible Cage



Reinforced, stabilized nylon cage

The ball cage is made of heat stabilized nylon with 33% fill short fiberglass reinforcement for added strength. The nylon material provides a natural lubricity for longer life. Fiberglass reinforcement allows higher operating temperatures than plain nylon, yet is more resistant to fatigue than metallic cages. Short fiberglass allows greater flexibility than steel or normal fiberglass, especially under misalignment. That means longer life in mounted bearings where some degree of misalignment is unavoidably encountered.

Anti-Rotation Pin (SC/SCM)

An anti-rotation pin prevents rotation of the outer race within the housing. Simple and effective, it makes system inserts easier to replace. There is no need to remove and replace grease fittings, location pins or other devices.



Simplified Anti-rotation device

DODGE E-Z KLEEN Ball Bearings

Available with Polymer and stainless steel housing, with corrosion resistant bearing inserts. These features make the SC ball bearing uniquely suited for the food, chemical and processing industries.



HOW TO ORDER/ NOMENCLATURE



Setscrew Ball Bearings

HOW TO ORDER

There are two ways to specify DODGE Bearings. Most of the product offering have part numbers with listings shown throughout this catalog. Use of part numbers ensures accurate ordering processing.

When part numbers are not shown, the product may be specified by description or part name. This method is used when ordering units that include modifications or options. To order by description, use the nomenclature key shown below and add any special instructions to the end of the description for options not covered by the nomenclature.

NOMENCLATURE

P2B - SC - 104S - NL

Modification or Feature

- CR = Corrosion Resistant Insert
- E = Expansion
- FF = ProGard Plus seals (with Flingers)
- HT = High Temperature option (400° F maximum)
- LL = Low torque labyrinth seal
- MOD = Modified
- NL = No Lube (sealed for life)
- RL = Relube (used with SL flanges)

Shaft Size

Inches:

- First digit = Number of inches
- Second & third digits = Number of sixteenths of an inch
- 104 = Indicates 1-4/16 or 1-1/4

S = Next smaller ring size. E.g. 1-1/4 206 would be written as 104S

L = Next larger ring size. E.g. 1/2 204 would be written as 008L

Metric:

- First two digits = number of millimeters
- M = Metric

Bearing Type:

- CC = Wide inner ring, normal duty, setscrew locking (for Fan & Blower pillow blocks)
- SC = Wide inner ring, normal duty, 65° setscrew locking
- SCM = Wide inner ring, medium duty, 65° setscrew locking
- SL = Narrow inner ring, light duty, stamped steel housing, 65° setscrew locking
- VSC = Narrow inner ring, intermediate duty, 65° setscrew locking

Suffixes to the above:

- AH = Air handling
- B = Low backing height pillow block
- H = High backing height (used with non-expansion and expansion units)
- U = Higher back pillow block (for interchangeability with competitor pillow blocks)

Housing:

- CYL = Cylindrical Unit
- F2B = 2 bolt flange
- F2BZ = 2 bolt flange with pilot machined on the back side (used with metric <D> Lok bearings)
- F3B = 3 bolt flange
- F4B = 4 bolt flange
- FB = Flange bracket
- FC = Flanged cartridge (piloted flange)
- F&B = Fan and blower pillow block

- HNG = Hanger bearing
- LF = 3 bolt light duty flange
- LFT = 2 bolt light duty flange
- NSTU = Narrow slot take-up
- P2B = 2 bolt base pillow block
- SCHB = Screw conveyor hanger bearing
- TB = Tapped base pillow block
- TP = Top angle take-up
- WSTU = Wide slot take-up

FEATURES/BENEFITS PAGE B3-2	SELECTION PAGE B3-6	SELECTION/DIMENSIONS PAGE B3-10	MODIFICATION/ACCESSORIES PAGE B3-132
--------------------------------	------------------------	------------------------------------	---



Setscrew Ball Bearings

DODGE mounted ball bearings are primarily designed for radial loading. However, they have the capacity to carry thrust loads and combined radial/thrust loads. The maximum recommended load which can be applied is limited by various components in the system, such as bearing, housing, shaft attachments, speed and life requirements. DODGE mounted ball bearings have been applied successfully when these limits have been exceeded under controlled operating conditions. Contact DODGE Engineering for applications which exceed these recommendations.

Select a bearing from the Selection Chart that has a radial load rating at the operating speed equal to or greater than the calculated Equivalent Radial load for a desired L_{10} life. This simple method is all that is required for the majority of general applications and provides for occasional average shock loads.

L_{10} Hours Life-is the life which may be expected for at least 90% of a given group of bearings operating under identical conditions. For an L_{10} hours life other than those listed in the Selection Chart, multiply the equivalent Radial load by one of the following factors. For 50,000 L_{10} hours life, use a factor of 1.18 and for 80,000, use 1.39. Then select a bearing from the bold face (30,000) L_{10} ratings only in the Selection Chart that has a rating equal to or greater than this value.

Heavy Service-For heavy shock loads, frequent shock loads or severe vibrations, add up to 50% (according to severity of conditions) to the Equivalent Radial Load to obtain a Modified Equivalent Radial Load. Consult Application Engineering for additional selection assistance.

A thrust load value of $C/10$ is recommended as a guide for general applications and will give adequate L_{10} life. Where substantial radial load pulls the housing away from the mounting base, both the hold-down bolts and housing must be of adequate strength. Auxiliary load carrying devices, such as shear bars, are advisable for side or end-loading of pillow blocks and radial loads for flange units.

To determine the L_{10} hours life for loads and RPM's not listed use the following equation:

$$L_{10} = \left(\frac{C}{P}\right)^3 \times \frac{16667}{\text{RPM}}$$

Where:

L_{10} = Life, hours

C = Dynamic Capacity, lbs. or N

P = Equivalent Radial Load, lbs. or N

When the load on a ball bearing is solely a radial load with no thrust (axial) load, the Equivalent Radial Load (P) is equal to the actual radial load. However, when a thrust (axial) load is applied, the radial and thrust loads applied must be converted into an Equivalent Radial Load. The use of the X (radial factor) and Y (thrust factor) from Table 1 convert the actual applied thrust and radial loads to an Equivalent Radial Load which has the same effect on the life of a bearing as a radial load of this magnitude.

$$P = (X \times F_R) + (Y \times F_A)$$

Where:

P = Equivalent Radial Load, lbs.

F_R = Radial load, lbs.

F_A = Thrust load, lbs.

e = Thrust load to radial load factor (Table 1)

X = Radial load factor (Table 1)

Y = Thrust Factor (Table 1)

C_0 = Basic static capacity

To find X and Y, first calculate F_A/C_0 to determine e. Calculate F_A/F_R and compare to e to determine the X and Y factors to use from Table 1.

Substitute all known values into the Equivalent Radial Load equation. The Equivalent Radial loads (P) thus determined can be used in the L_{10} life formula or compared to the allowable Equivalent Radial Load rating desired in the expanded rating chart to select a bearing (Table 2).

If calculated value of P is less than F_R , use $P=F_R$.

F_A C_0	e	Radial/Thrust Factors			
		If F_A/F_R is equal to or less than e		If F_A/F_R is greater than e	
		$F_A/F_R \leq e$		$F_A/F_R > e$	
		X	Y	X	Y
.014	.19	1	0	0.56	2.30
.021	.21	1	0	0.56	2.15
.028	.22	1	0	0.56	1.99
.042	.24	1	0	0.56	1.85
.056	.26	1	0	0.56	1.71
.070	.27	1	0	0.56	1.63
.084	.28	1	0	0.56	1.55
.110	.30	1	0	0.56	1.45
.170	.34	1	0	0.56	1.31
.280	.38	1	0	0.56	1.15
.420	.42	1	0	0.56	1.04
.560	.44	1	0	0.56	1.00

Lubrication-DODGE Ball Bearings are lubricated at the factory and are ready to run. The bearings are initially lubricated with Shell Alvania #2 and should be relubricated with the same or some equivalent. For high speeds, high loads, extreme temperatures and other abnormal operating conditions, special greases may be required. Contact DODGE Application Engineering for recommendations on these types of applications.

Misalignment-DODGE Ball Bearings are designed to allow a maximum of $\pm 2^\circ$ static misalignment. These bearings are not suitable for dynamic misalignment. To ensure good alignment, mounting surfaces must be checked for flatness and must lie in the same plane. When tightening base bolts, each bolt should be alternately tightened in incremental torque values until full torque is achieved to prevent the angular shifting of the pillow block that occurs when one bolt is tightened to its full torque. Shimming may be required to minimize misalignment.

Shaft Tolerances		
Normal Shaft Size Inches	Commercial Shaft Tolerances Inches	Recommended Shaft Tolerances Set Screw Ball Bearings Inches
Up to 1-1/2"	+0.000 -0.002	+0.0000 -0.0005
Over 1-1/2" to 2-1/2"	+0.000 -0.003	+0.0000 -0.0010
Over 2-1/2" to 4"	+0.000 -0.004	+0.0000 -0.0010

FEATURES/BENEFITS PAGE B3-2	NOMENCLATURE PAGE B3-6	SELECTION/DIMENSIONS PAGE B3-10	MODIFICATION/ACCESSORIES PAGE B3-132
--------------------------------	---------------------------	------------------------------------	---

SELECTION



Setscrew Ball Bearings - Inch

Table 2: Easy Selection Table For Ball Bearing Mounted Units

RING-SIZE	SHAFT SIZE		DYNAMIC CAPACITY C, Lbs.	STATIC CAPACITY Co, Lbs.	L10 LIFE-HOURS	ALLOWABLE EQUIVALENT RADIAL LOAD RATING (LBS.) AT VARIOUS RPM*									
	SC, VSC, SL, CC	SCM				50	150	250	500	750	1000	1500	1750	2000	
203	1/2 5/8		2158	1000	20000	550	380	320	255	225	205	175	170	160	
					30000	480	335	280	225	195	175	155	145	140	
					40000	440	305	255	205	175	160	140	135	130	
					60000	380	265	225	175	155	140	125	115	110	
					100000	320	225	190	150	130	120	105	100	95	
204	1/2 5/8 3/4 13/16		2899	1390	20000	740	515	435	345	300	275	240	225	215	
					30000	645	450	380	300	260	240	210	200	190	
					40000	590	410	345	275	240	215	190	180	170	
					60000	515	355	300	240	210	190	165	155	150	
					100000	435	300	255	200	175	160	140	130	125	
205	7/8 15/16 1		3146	1565	20000	805	560	470	375	325	295	260	245	235	
					30000	705	485	410	325	285	260	225	215	205	
					40000	640	445	375	295	260	235	205	195	185	
					60000	560	385	325	260	225	205	180	170	165	
					100000	470	325	275	220	190	175	150	145	135	
206	1-1/16 1-1/8 1-3/16 1-1/4	1	4368	2250	20000	1115	775	655	520	455	410	360	340	325	
					30000	975	675	570	455	395	360	315	300	285	
					40000	885	615	520	410	360	325	285	270	260	
					60000	775	535	455	360	315	285	250	235	225	
					100000	655	455	380	305	265	240	210	200	190	
207	1-1/4 1-5/16 1-3/8 1-7/16	1-3/16 1-1/4	5759	3065	20000	1475	1020	860	685	595	545	475	450	430	
					30000	1285	890	755	595	520	475	415	395	375	
					40000	1170	810	685	545	475	430	375	355	340	
					60000	1020	710	595	475	415	375	330	310	300	
					100000	860	595	505	400	350	315	275	265	250	
208	1-1/2 1-5/8	1-7/16 1-1/2**	7332	4005	20000	1875	1300	1095	870	760	690	605	575	550	
					30000	1640	1135	960	760	665	605	525	500	480	
					40000	1490	1030	870	690	605	550	480	455	435	
					60000	1300	900	760	605	525	480	420	400	380	
					100000	1095	760	640	510	445	405	355	335	320	
209	1-5/8 1-11/16 1-3/4	1-1/2	7891	4450	20000	2020	1400	1180	935	820	745	650	615	590	
					30000	1765	1225	1030	820	715	650	570	540	515	
					40000	1600	1110	935	745	650	590	515	490	470	
					60000	1400	970	820	650	570	515	450	430	410	
					100000	1180	820	690	550	480	435	380	360	345	
210	1-15/16 2	1-11/16 1-3/4	7891	4450	20000	2020	1400	1180	935	820	745	650	615	590	
					30000	1765	1225	1030	820	715	650	570	540	515	
					40000	1600	1110	935	745	650	590	515	490	470	
					60000	1400	970	820	650	570	515	450	430	410	
					100000	1180	820	690	550	480	435	380	360	345	
211	2 2-3/16 2-1/4	1-15/16 2	9755	5630	20000	2491	1727	1457	1156	1010	918	802	761	729	
					30000	2176	1509	1272	1010	882	802	700	665	636	
					40000	1977	1371	1156	918	802	728	636	604	578	
					60000	1727	1197	1010	802	700	636	556	528	505	
					100000	1457	1010	852	676	591	537	469	445	426	
212	2-1/4 2-7/16	2-3/16 2-1/4	11791	6955	20000	3015	2090	1765	1400	1225	1110	970	925	880	
					30000	2635	1825	1540	1225	1070	970	880	805	770	
					40000	2395	1660	1400	1110	970	880	770	730	700	
					60000	2090	1450	1225	970	850	770	675	640	610	
					100000	1765	1225	1030	820	715	650	570	540	515	
214	2 11/16	2-7/16 2-1/2	13995	8410	20000	3580	2480	2095	1660	1450	1320	1155	1095	1045	
					30000	3125	2170	1830	1450	1270	1155	1005	955	915	
					40000	2840	1970	1660	1320	1155	1045	915	870	830	
					60000	2480	1720	1450	1155	1005	915	800	760	725	
					100000	2095	1450	1225	970	850	770	675	640	615	
215	2-15/16	2-11/16	14872	9255	20000	3805	2640	2225	1765	1545	1400	1225	1165	1115	
					30000	3325	2305	1945	1545	1350	1225	1070	1015	975	
					40000	3020	2095	1765	1400	1225	1115	975	925	885	
					60000	2640	1830	1545	1225	1070	975	850	805	770	
					100000	2225	1545	1300	1035	905	820	715	680	650	
216	2-15/16 3		17407	11015	20000	4450	3085	2605	2065	1805	1640	1435	1360	1300	
					30000	3890	2695	2275	1805	1580	1435	1250	1190	1140	
					40000	3535	2450	2065	1640	1435	1300	1140	1080	1035	
					60000	3085	2140	1805	1435	1250	1140	995	945	905	
					100000	2605	1805	1525	1210	1055	960	840	795	760	
218	3-7/16 3-1/2		21451	13940	20000	5485	3805	3210	2550	2225	2025	1765	1680	1605	
					30000	4795	3325	2805	2225	1945	1765	1545	1465	1405	
					40000	4355	3020	2550	2025	1765	1605	1405	1335	1276	
					60000	3805	2640	2225	1765	1545	1405	1225	1165	1115	
					100000	3210	2225	1880	1490	1300	1185	1035	980	940	

* Slight interference fit required when operating on the right of the heavy line or in the shaded area ** Piloted flange only

FEATURES/BENEFITS PAGE B3-2	NOMENCLATURE PAGE B3-6	SELECTION/DIMENSIONS PAGE B3-10	MODIFICATION/ACCESSORIES PAGE B3-132
--------------------------------	---------------------------	------------------------------------	---



Setscrew Ball Bearings - Inch

Table 2 (Continued): Easy Selection Table For Ball Bearing Mounted Units

RING-SIZE	SHAFT SIZE		DYNAMIC CAPACITY C, Lbs.	STATIC CAPACITY Co, Lbs.	L10 LIFE-HOURS	ALLOWABLE EQUIVALENT RADIAL LOAD RATING (LBS.) AT VARIOUS RPM*								
	SC, VSC, SL, CC	SCM				2500	3000	3500	4000	4500	5000	5500	6500	7500
203	1/2 5/8		2158	1000	20000	150	140	135	130	125	120	115	110	105
					30000	130	125	115	110	105	105	100	95	90
					40000	120	110	105	100	95	95	90	85	80
					60000	105	95	95	90	85	80	80	75	70
					100000	85	80	80	75	70	70	65	65	60
204	1/2 5/8 3/4 13/16		2899	1390	20000	200	190	180	170	165	160	155	145	140
					30000	175	165	155	150	145	140	135	130	120
					40000	160	150	145	135	130	125	125	115	110
					60000	140	130	125	120	115	110	105	100	95
					100000	115	110	105	100	90	95	90	85	80
205	7/8 15/16 1		3146	1565	20000	220	205	195	185	180	175	170	160	150
					30000	190	180	170	165	155	150	145	140	130
					40000	175	165	155	150	140	135	135	125	120
					60000	150	140	135	130	125	120	115	110	105
					100000	125	120	115	110	105	100	100	95	90
206	1-1/16 1-1/8 1-3/16 1-1/4	1	4368	2250	20000	305	285	270	260	250	240	235	200	
					30000	265	250	235	225	220	210	205	195	
					40000	240	225	215	205	200	190	185	175	
					60000	210	200	190	180	175	165	160	155	
					100000	175	165	160	150	145	140	135	130	
207	1-1/4 1-5/16 1-3/8 1-7/16	1-3/16 1-1/4	5759	3065	20000	400	375	355	340	330	315	305		
					30000	350	330	310	300	285	275	270		
					40000	315	300	285	270	260	250	245		
					60000	275	260	250	235	230	220	125		
					100000	235	220	210	200	190	185	180		
208	1-1/2 1-5/8	1-7/16 1-1/2**	7332	4005	20000	510	480	455	435	420	405			
					30000	445	420	400	380	365	355			
					40000	405	380	360	345	330	320			
					60000	355	330	315	300	290	280			
					100000	300	280	265	255	245	235			
209	1-5/8 1-11/16 1-3/4	1-1/2	7891	4450	20000	550	515	490	470	450	435			
					30000	480	450	430	410	395	380			
					40000	435	410	390	370	360	345			
					60000	380	360	340	325	310	300			
					100000	320	300	285	275	265	255			
210	1-15/16 2	1-11/16 1-3/4	7891	4450	20000	550	515	490	470	450				
					30000	480	450	430	410	395	395			
					40000	435	410	390	370	360	360			
					60000	380	360	340	325	310	310			
					100000	320	300	285	275	265	265			
211	2 2-3/16 2-1/4	1-15/16 2	9755	5630	20000	676	636	604	578					
					30000	591	556	528	505					
					40000	537	505	480	459					
					60000	469	441	419	401					
					100000	395	372	353	338					
212	2-1/4 2-7/16	2-3/16 2-1/4	11791	6955	20000	820	770	730						
					30000	715	675	640						
					40000	650	610	580						
					60000	570	535	510						
					100000	480	450	430						
214	2 11/16	2-7/16 2-1/2	13995	8410	20000	970	915							
					30000	850	800							
					40000	770	725							
					60000	675	635							
					100000	570	535							
215	2-15/16	2-11/16	14872	9255	20000	1035	975							
					30000	905	850							
					40000	820	770							
					60000	715	675							
					100000	605	570							
216		2-15/16 3	17407	11015	20000	1210								
					30000	1055								
					40000	960								
					60000	840								
					100000	705								
218		3-7/16 3-1/2	21451	13940	20000									
					30000									
					40000									
					60000									
					100000									

* Slight interference fit required when operating on the right of the heavy line or in the shaded area ** Piloted flange only

FEATURES/BENEFITS PAGE B3-2	NOMENCLATURE PAGE B3-6	SELECTION/DIMENSIONS PAGE B3-10	MODIFICATION/ACCESSORIES PAGE B3-132
--------------------------------	---------------------------	------------------------------------	---

SELECTION



Setscrew Ball Bearings - Metric

Table 2 (Continued): Easy Selection Table For Ball Bearing Mounted Units

RING-SIZE	SHAFT SIZE			DYNAMIC CAPACITY C. N.	STATIC CAPACITY Co. N.	L10 LIFE-HOURS	ALLOWABLE EQUIVALENT RADIAL LOAD RATING (N.) AT VARIOUS RPM*									
	SC	VSC	SL, CC				50	150	250	500	750	1000	1500	1750	2000	
203	17mm			9600	4450	20000	2446	1690	1423	1134	1001	912	778	756	712	
						30000	2135	1490	1245	1001	867	778	689	645	623	
						40000	1957	1357	1134	912	778	712	623	600	578	
						60000	1690	1179	1001	778	689	623	556	512	489	
						100000	1423	1001	845	667	578	534	467	445	423	
204	20mm			12895	6185	20000	3292	2291	1935	1535	1334	1223	1068	1001	956	
						30000	2869	2002	1690	1334	1156	1068	934	890	845	
						40000	2624	1824	1535	1223	1068	956	845	801	756	
						60000	2291	1579	1334	1068	934	845	734	689	667	
						100000	1935	1334	1134	890	778	712	623	578	556	
205	25mm			13995	6964	20000	3581	2491	2091	1668	1446	1312	1156	1090	1045	
						30000	3136	2157	1824	1446	1268	1156	1001	956	912	
						40000	2847	1979	1668	1312	1156	1045	912	867	823	
						60000	2491	1712	1446	1156	1001	912	801	756	734	
						100000	2091	1446	1223	979	845	778	667	645	600	
206	30mm	25mm		18993	10013	20000	4960	3447	2913	2313	2024	1824	1601	1512	1446	
						30000	4337	3002	2535	2024	1757	1601	1401	1334	1268	
						40000	3936	2736	2313	1824	1601	1446	1268	1201	1156	
						60000	3447	2380	2024	1601	1401	1268	1112	1045	1001	
						100000	2913	2024	1690	1357	1179	1068	934	890	845	
207	35mm	30mm		25628	13639	20000	6561	4537	3825	3047	2647	2424	2113	2002	1913	
						30000	5716	3959	3358	2674	2313	2113	1846	1757	1668	
						40000	5204	3603	3047	2424	2113	1913	1668	1579	1512	
						60000	4537	3158	2647	2113	1846	1669	1468	1379	1334	
						100000	3825	2647	2246	1779	1557	1401	1223	1179	1112	
208	40mm	35mm		32627	17822	20000	8340	5782	4871	3870	3380	3069	2691	2558	2446	
						30000	7295	5048	4270	3380	2958	2691	2335	2224	2135	
						40000	6628	4581	3870	3069	2691	2446	2135	2024	1935	
						60000	5782	4003	3380	2691	2335	2135	1868	1779	1690	
						100000	4871	3380	2847	2268	1979	1801	1579	1490	1423	
209	45mm	40mm		35115	19803	20000	8985	6227	5249	4159	3647	3314	2891	2736	2624	
						30000	7851	5449	4581	3647	3180	2891	2535	2402	2291	
						40000	7117	4937	4159	3314	2891	2624	2291	2180	2091	
						60000	6227	4315	3647	2891	2535	2291	2002	1913	1824	
						100000	5249	3647	3069	2446	2135	1935	1690	1601	1535	
210	50mm	45mm		35115	19803	20000	8985	6227	5249	4159	3647	3314	2891	2736	2624	
						30000	7851	5449	4581	3647	3180	2891	2535	2402	2291	
						40000	7117	4937	4159	3314	2891	2624	2291	2180	2091	
						60000	6227	4315	3647	2891	2535	2291	2002	1913	1824	
						100000	5249	3647	3069	2446	2135	1935	1690	1601	1535	
211	55mm	50mm		43394	25054	20000	11079	7682	6479	5142	4492	4082	3566	3387	3241	
						30000	9678	6711	5680	4492	3924	3566	3115	2959	2831	
						40000	8793	6097	5142	4082	3566	3240	2830	2688	2572	
						60000	7682	5326	4492	3566	3115	2830	2472	2348	2247	
						100000	6479	4492	3789	3007	2627	2387	2085	1981	1895	
212	60mm	55mm		52470	30950	20000	13411	9296	7851	6227	5449	4937	4315	4114	3914	
						30000	11720	8118	6850	5449	4759	4315	3914	3581	3425	
						40000	10653	7384	6227	4937	4315	3914	3425	3247	3114	
						60000	9296	6450	5449	4315	3781	3425	3002	2847	2713	
						100000	7851	5449	4581	3647	3180	2891	2535	2402	2291	
214	70mm	65mm		62278	37425	20000	15924	11031	9319	7384	6450	5871	5137	4871	4648	
						30000	13900	9672	8140	6450	5649	5137	4470	4248	4070	
						40000	12632	8763	7384	5871	5137	4648	4070	3870	3692	
						60000	11031	7651	6450	5137	4470	4070	3558	3380	3225	
						100000	9319	6450	5449	4315	3781	3425	3002	2847	2736	
215	75mm	70mm		66180	41185	20000	16925	11743	9897	7851	6872	6227	5449	5182	4960	
						30000	14790	10253	8651	6872	6005	5449	4759	4515	4337	
						40000	13433	9319	7851	6227	5449	4960	4337	4114	3936	
						60000	11743	8140	6872	5449	4759	4337	3781	3581	3425	
						100000	9897	6872	5782	4604	4025	3647	3180	3025	2891	
216	75mm			77426	49155	20000	19794	13722	11587	9185	8029	7295	6383	6049	5782	
						30000	17303	11987	10119	8029	7028	6383	5560	5293	5071	
						40000	15724	10898	9185	7295	6383	5782	5071	4804	4604	
						60000	13722	9519	8029	6383	5560	5071	4426	4203	4025	
						100000	11587	8029	6783	5382	4693	4270	3736	3536	3380	
218	85mm			95371	62005	20000	24397	16925	14278	11342	9897	9007	7851	7473	7139	
						30000	21328	14790	12477	9897	8651	7851	6872	6516	6249	
						40000	19371	13433	11342	9007	7851	7139	6249	5938	5676	
						60000	16925	11743	9897	7851	6872	6249	5449	5182	4960	
						100000	14278	9897	8362	6628	5782	5271	4604	4359	4181	

* Slight interference fit required when operating on the right of the heavy line or in the shaded area

FEATURES/BENEFITS PAGE B3-2	NOMENCLATURE PAGE B3-6	SELECTION/DIMENSIONS PAGE B3-10	MODIFICATION/ACCESSORIES PAGE B3-132
--------------------------------	---------------------------	------------------------------------	---



Setscrew Ball Bearings - Metric

Table 2 (Continued): Easy Selection Table For Ball Bearing Mounted Units

RING-SIZE	SHAFT SIZE		DYNAMIC CAPACITY C, N.	STATIC CAPACITY Co, N.	L10 LIFE-HOURS	ALLOWABLE EQUIVALENT RADIAL LOAD RATING (N.) AT VARIOUS RPM*									
	SC, VSC, SL, C	SCM				2500	3000	3500	4000	4500	5000	5500	6500	7500	
203	17mm		9600	4450	20000	667	623	600	578	556	534	512	489	467	
					30000	578	556	512	489	467	445	423	400	378	356
					40000	534	489	467	445	423	400	378	356	334	311
					60000	467	423	423	400	378	356	334	311	289	267
					100000	378	356	356	334	311	289	267			
204	20mm		12895	6185	20000	890	845	801	756	734	712	689	645	623	
					30000	778	724	689	667	645	623	600	578	556	512
					40000	712	667	645	600	578	556	534	512	489	467
					60000	623	578	556	534	512	489	467	445	423	400
					100000	512	489	467	445	400	423	400	378	356	334
205	25mm		13995	6964	20000	979	912	867	823	801	778	756	712	667	
					30000	845	801	756	734	689	667	645	623	600	578
					40000	778	734	689	667	623	600	600	556	534	512
					60000	667	623	600	578	556	534	512	489	467	445
					100000	556	534	512	489	467	445	445	423	400	378
206	30mm	25mm	18993	10013	20000	1357	1268	1201	1156	1112	1068	1045	979		
					30000	1179	1112	1045	1001	979	934	912	867	823	
					40000	1068	1001	958	912	890	845	823	778	734	
					60000	934	890	845	801	778	734	712	689	645	
					100000	778	734	712	667	645	623	600	578	556	
207	35mm	30mm	25628	13639	20000	1779	1668	1579	1512	1468	1401	1357			
					30000	1557	1468	1379	1134	1268	1223	1201	1090		
					40000	1401	1334	1268	1201	1156	1112	1090	1045		
					60000	1223	1156	1112	1045	1023	979	956	801		
					100000	1045	979	934	890	845	823	801			
208	40mm	35mm	32627	17822	20000	2268	2135	2024	1935	1868	1801	1579			
					30000	1979	1868	1779	1690	1624	1579	1423	1290		
					40000	1801	1690	1601	1535	1468	1423	1290	1245		
					60000	1576	1468	1401	1334	1290	1245	1090	1045		
					100000	1334	1245	1179	1134	1090	1045				
209	45mm	40mm	35115	19803	20000	2446	2291	2180	2091	2002	1935	1690			
					30000	2135	2002	1913	1824	1757	1690	1535	1379		
					40000	1935	1824	1735	1646	1601	1535	1379	1334		
					60000	1690	1601	1512	1446	1379	1334	1179	1134		
					100000	1423	1334	1268	1223	1179	1134				
210	50mm	45mm	35115	19803	20000	2446	2291	2180	2091	2002	1935	1690			
					30000	2135	2002	1913	1824	1757	1690	1535	1379		
					40000	1935	1824	1735	1646	1601	1535	1379	1334		
					60000	1690	1601	1512	1446	1379	1334	1179	1134		
					100000	1423	1334	1268	1223	1179	1134				
211	55mm	50mm	43394	25054	20000	3007	2830	2688	2571						
					30000	2627	2472	2348	2246						
					40000	2387	2246	2134	2041						
					60000	2085	1962	1864	1783						
					100000	1759	1655	1572	1504						
212	60mm	55mm	52470	30950	20000	3647	3425	3247							
					30000	3180	3002	2847							
					40000	2891	2713	2580							
					60000	2535	2380	2268							
					100000	2135	2002	1913							
214	70mm	65mm	62278	37425	20000	4315	4070								
					30000	3781	3558								
					40000	3425	3225								
					60000	3002	2824								
					100000	2535	2380								
215	75mm	70mm	66180	41185	20000	4604	4337								
					30000	4025	3781								
					40000	3647	3425								
					60000	3180	3002								
					100000	2691	2535								
216	75mm		77426	49155	20000	5382									
					30000	4693									
					40000	4270									
					60000	3736									
					100000	3136									
218	85mm		95371	62005	20000										
					30000										
					40000										
					60000										
					100000										

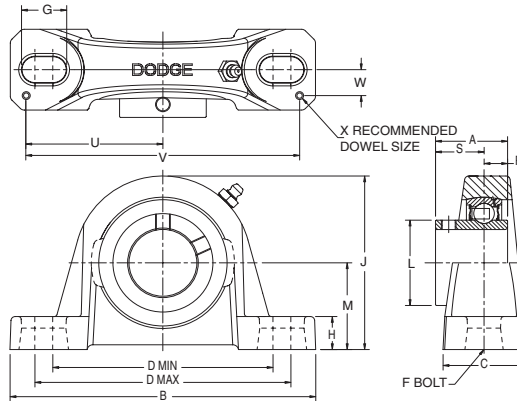
* Slight interference fit required when operating on the right of the heavy line or in the shaded area

FEATURES/BENEFITS PAGE B3-2	NOMENCLATURE PAGE B3-6	SELECTION/DIMENSIONS PAGE B3-10	MODIFICATION/ACCESSORIES PAGE B3-132
--------------------------------	---------------------------	------------------------------------	---

SELECTION/DIMENSIONS



Setscrew Ball Bearings SC AND SCU NORMAL DUTY PILLOW BLOCKS



Lube Fitting

203 series - 1/4-28 tapered thread
204 series and larger - 1/8-27 NPT

Series	Shaft Size	Standard		No-Lube/Sealed for Life (-NL)		With Flingers	
		Part No.	Description	Part No.	Description	Part No.	Description
203	1/2	123830	P2B-SC-008	123932	P2B-SC-008-NL	@	P2B-SC-008-FF
	5/8	123831	P2B-SC-010	126500	P2B-SC-010-NL	124575	P2B-SC-010-FF
	17mm	053170	P2B-SC-17M	@	P2B-SC-17M-NL	@	P2B-SC-17M-FF
203 (SCU)	1/2	123753	P2B-SCU-008	@	P2B-SCU-008-NL	@	P2B-SCU-008-FF
	5/8	123754	P2B-SCU-010	@	P2B-SCU-010-NL	@	P2B-SCU-010-FF
	17mm	125850	P2B-SCU-17M	@	P2B-SCU-17M-NL	@	P2B-SCU-17M-FF
204	1/2	123835	P2B-SC-008L	052101	P2B-SC-008L-NL	@	P2B-SC-008L-FF
	5/8	123836	P2B-SC-010L	@	P2B-SC-010L-NL	@	P2B-SC-010L-FF
	3/4	123803	P2B-SC-012	052012	P2B-SC-012-NL	053256	P2B-SC-012-FF
	20mm	125851	P2B-SC-20M	@	P2B-SC-20M-NL	@	P2B-SC-20M-FF
205	7/8	123804	P2B-SC-014	126502	P2B-SC-014-NL	@	P2B-SC-014-FF
	15/16	123805	P2B-SC-015	126503	P2B-SC-015-NL	124029	P2B-SC-015-FF
	1	123806	P2B-SC-100	123824	P2B-SC-100-NL	123779	P2B-SC-100-FF
	25mm	125852	P2B-SC-25M	056744	P2B-SC-25M-NL	@	P2B-SC-25M-FF
206	1-1/16	123807	P2B-SC-101	126504	P2B-SC-101-NL	@	P2B-SC-101-FF
	1-1/8	123808	P2B-SC-102	126505	P2B-SC-102-NL	125383	P2B-SC-102-FF
	1-3/16	123809	P2B-SC-103	123828	P2B-SC-103-NL	050270	P2B-SC-103-FF
	1-1/4	123170	P2B-SC-104S	049852	P2B-SC-104S-NL	@	P2B-SC-104S-FF
30mm	125853	P2B-SC-30M	@	P2B-SC-30M-NL	053198	P2B-SC-30M-FF	
206 (SCU)	1-1/16	123877	P2B-SCU-101	@	P2B-SCU-101-NL	@	P2B-SCU-101-FF
	1-1/8	123878	P2B-SCU-102	@	P2B-SCU-102-NL	@	P2B-SCU-102-FF
	1-3/16	123879	P2B-SCU-103	050837	P2B-SCU-103-NL	@	P2B-SCU-103-FF
	1-1/4	123894	P2B-SCU-104S	@	P2B-SCU-104S-NL	@	P2B-SCU-104S-FF
30mm	125854	P2B-SCU-30M	@	P2B-SCU-30M-NL	@	P2B-SCU-30M-FF	
207	1-1/4	123810	P2B-SC-104	123933	P2B-SC-104-NL	123097	P2B-SC-104-FF
	1-5/16	123811	P2B-SC-105	@	P2B-SC-105-NL	@	P2B-SC-105-FF
	1-3/8	123812	P2B-SC-106	123781	P2B-SC-106-NL	054695	P2B-SC-106-FF
	1-7/16	123813	P2B-SC-107	123792	P2B-SC-107-NL	051571	P2B-SC-107-FF
	35mm	125855	P2B-SC-35M	@	P2B-SC-35M-NL	@	P2B-SC-35M-FF

@ Assembled to order.

FEATURES/BENEFITS PAGE B3-2	NOMENCLATURE PAGE B3-6	SELECTION PAGE B3-6	MODIFICATION/ACCESSORIES PAGE B3-132
--------------------------------	---------------------------	------------------------	---

SELECTION/DIMENSIONS



Setscrew Ball Bearings SC AND SCU NORMAL DUTY PILLOW BLOCKS

Bearing Quick Reference

E-Z KLEEN

GRIP TIGHT Adapter Ball Bearing

Setscrew Ball Bearing

Eccentric Collar Ball Bearing

Series	Shaft Size	Weight lbs. / kgs.	A	B	C	D		F Bolt Dia.	G	H	J	L	M	R	S	U	V	W	X
						Min.	Max.												
203	1/2	1.1	1	5	1-13/64	3-1/4	4-1/16	3/8	27/32	15/32	2-9/64	31/32	1-1/16	23/64	41/64	2-1/4	4-1/2	3/8	1/8
	5/8	1.0																	
	17mm	0.4	25.4	127.0	30.6	82.6	103.2	M10	21.4	11.9	54.4	24.6	27.0	9.1	16.3	57.2	114.3	9.5	3.2
203 (SCU)	1/2	1.2	1	5	1-13/64	3-1/4	4-1/16	3/8	27/32	19/32	2-17/64	31/32	1-3/16	23/64	41/64	2-1/4	4-1/2	3/8	1/8
	5/8	1.0																	
	17mm	0.4	25.4	127.0	30.6	82.6	103.2	M10	21.4	15.1	57.5	24.6	30.2	9.1	16.3	57.2	114.3	9.5	3.2
204	1/2	1.6	1-5/32	5-1/4	1-21/64	3-3/8	4-3/16	3/8	27/32	33/64	2-9/16	1-1/8	1-5/16	27/64	47/64	2-1/4	4-1/2	1/2	1/8
	5/8	1.5																	
	3/4	1.4																	
	20mm	0.7	29.4	133.4	33.7	85.7	106.4	M10	21.4	13.1	65.1	28.6	33.3	10.7	18.7	57.2	114.3	12.7	3.2
205	7/8	1.8	1-3/16	5-1/2	1-13/32	3-11/16	4-1/2	3/8	27/32	37/64	2-25/32	1-5/16	1-7/16	27/64	49/64	2-1/2	5	1/2	3/16
	15/16	1.7																	
	1	1.6																	
	25mm	0.7	30.2	139.7	35.7	93.7	114.3	M10	21.4	14.7	70.6	33.3	36.5	10.7	19.4	63.5	127.0	12.7	4.8
206	1-1/16	2.8	1-25/64	6-1/4	1-47/64	4-1/4	5	1/2	15/16	11/16	3-1/4	1-37/64	1-5/8	31/64	29/32	2-7/8	5-3/4	9/16	3/16
	1-1/8	2.7																	
	1-3/16	2.6																	
	1-1/4	2.5																	
	30mm	1.1	35.3	158.8	44.1	108.0	127.0	M12	23.8	17.5	82.6	40.1	41.3	12.3	23.0	73.0	146.1	14.3	4.8
206 (SCU)	1-1/16	2.9	1-25/64	6-1/4	1-47/64	4-1/4	5	1/2	15/16	3/4	3-5/16	1-37/64	1-11/16	31/64	29/32	2-7/8	5-3/4	9/16	3/16
	1-1/8	2.8																	
	1-3/16	2.7																	
	1-1/4	2.6																	
	30mm	1.1	35.3	158.8	44.1	108.0	127.0	M12	23.8	19.1	84.1	40.1	42.9	12.3	23.0	73.0	146.1	14.3	4.8
207	1-1/4	4.5	1-17/32	6-1/2	1-47/64	4-11/16	5-7/16	1/2	15/16	45/64	3-3/4	1-27/32	1-7/8	1/2	1-1/32	2-29/32	5-13/16	9/16	3/16
	1-5/16	4.4																	
	1-3/8	4.3																	
	1-7/16	4.2																	
	35mm	1.5	38.9	165.1	44.1	119.1	138.1	M12	23.8	17.9	95.3	46.8	47.6	12.7	26.2	73.8	147.6	14.3	4.8

FEATURES/BENEFITS PAGE B3-2	NOMENCLATURE PAGE B3-6	SELECTION PAGE B3-6	MODIFICATION/ACCESSORIES PAGE B3-132
--------------------------------	---------------------------	------------------------	---

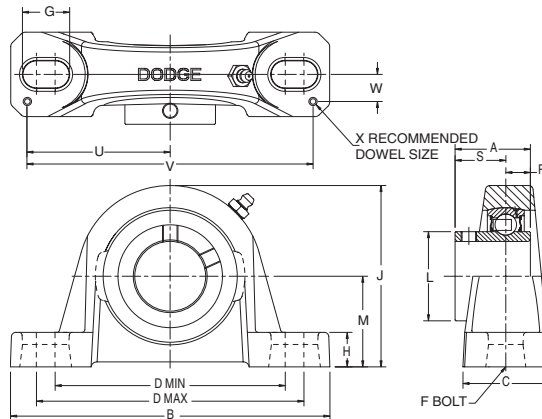
SELECTION/DIMENSIONS



Setscrew Ball Bearings SC AND SCU NORMAL DUTY PILLOW BLOCKS

Lube Fitting

203 series - 1/4-28 tapered thread
204 series and larger - 1/8-27 NPT



Series	Shaft Size	Standard		No-Lube/Sealed for Life (-NL)		With Flingers	
		Part No.	Description	Part No.	Description	Part No.	Description
208	1-1/2	123814	P2B-SC-108	123829	P2B-SC-108-NL	125172	P2B-SC-108-FF
	1-5/8	123815	P2B-SC-110	126510	P2B-SC-110-NL	051996	P2B-SC-110-FF
	40mm	056855	P2B-SC-40M	@	P2B-SC-40M-NL	053199	P2B-SC-40M-FF
209	1-5/8	125169	P2B-SC-110L	@	P2B-SC-110L-NL	@	P2B-SC-110L-FF
	1-11/16	123816	P2B-SC-111	123784	P2B-SC-111-NL	064657	P2B-SC-111-FF
	1-3/4	123817	P2B-SC-112	123782	P2B-SC-112-NL	051896	P2B-SC-112-FF
	45mm	125857	P2B-SC-45M	@	P2B-SC-45M-NL	052259	P2B-SC-45M-FF
210	1-15/16	123818	P2B-SC-115	123793	P2B-SC-115-NL	@	P2B-SC-115-FF
	2	123819	P2B-SC-200	123939	P2B-SC-200-NL	@	P2B-SC-200-FF
	50mm	125858	P2B-SC-50M	@	P2B-SC-50M-NL	@	P2B-SC-50M-FF
211	2	126815	P2B-SCM-200	126547	P2B-SCM-200-NL	054561	P2B-SCM-200-FF
	2-3/16	123820	P2B-SC-203	123783	P2B-SC-203-NL	056759	P2B-SC-203-FF
	2-1/4	123821	P2B-SC-204	126513	P2B-SC-204-NL	057335	P2B-SC-204-FF
	55mm	125859	P2B-SC-55M	@	P2B-SC-55M-NL	@	P2B-SC-55M-FF
212	2-1/4	126817	P2B-SCM-204	@	P2B-SCM-204-NL	@	P2B-SCM-204-FF
	2-7/16	123822	P2B-SC-207	123987	P2B-SC-207-NL	054265	P2B-SC-207-FF
	60mm	125860	P2B-SC-60M	062162	P2B-SC-60M-NL	@	P2B-SC-60M-FF
214	2-1/2	126819	P2B-SCM-208	@	P2B-SCM-208-NL	@	P2B-SCM-208-FF
	2-11/16	123839	P2B-SC-211	@	P2B-SC-211-NL	@	P2B-SC-211-FF
	70mm	125861	P2B-SC-70M	126548	P2B-SC-70M-NL	059677	P2B-SC-70M-FF
215	2-15/16	123823	P2B-SC-215	123636	P2B-SC-215-NL	049828	P2B-SC-215-FF
	75mm	125862	P2B-SC-75M	@	P2B-SC-75M-NL	@	P2B-SC-75M-FF
215 (SCU)	2-15/16	123728	P2B-SCU-215	@	P2B-SCU-215-NL	054264	P2B-SCU-215-FF
	75mm	052792	P2B-SCU-75M	@	P2B-SCU-75M-NL	@	P2B-SCU-75M-FF
218	90mm	052794	P2B-SC-90M	@	P2B-SC-90M-NL	@	P2B-SC-90M-FF

@Assembled to order

FEATURES/BENEFITS PAGE B3-2	NOMENCLATURE PAGE B3-6	SELECTION PAGE B3-6	MODIFICATION/ACCESSORIES PAGE B3-132
--------------------------------	---------------------------	------------------------	---

SELECTION/DIMENSIONS



Setscrew Ball Bearings SC AND SCU NORMAL DUTY PILLOW BLOCKS

Series	Shaft Size	Weight lbs. kgs.	A	B	C	D		F Bolt Dia.	G	H	J	L	M	R	S	U	V	W	X
						Min.	Max.												
208	1-1/2	5.4	1-11/16	7-1/4	1-15/16	5-3/16	5-7/8	1/2	29/32	15/16	4-3/16	2-3/64	2-1/8	19/32	1-3/32	3-17/64	6-17/32	11/16	3/16
	1-5/8	5.3																	
	40mm	2.2	42.9	184.2	49.2	131.8	149.2	M12	23.0	23.8	106.4	52.0	54.0	15.1	27.8	82.9	165.9	17.5	4.8
209	1-5/8	6.6	1-23/32	7-7/16	2	5-1/2	6-3/16	1/2	29/32	3/4	4-9/32	2-7/32	2-1/8	19/32	1-1/8	3-3/8	6-3/4	11/16	3/16
	1-11/16	6.4																	
	1-3/4	6.2																	
	45mm	2.2	43.7	188.9	50.8	139.7	161.9	M12	23.0	19.1	108.7	56.4	54.0	15.1	28.6	85.7	171.5	17.5	4.8
210	1-15/16	7.2	1-3/4	8-1/8	2-1/4	6	6-11/16	5/8	1-1/16	3/4	4-17/32	2-7/16	2-1/4	19/32	1-5/32	3-11/16	7-3/8	13/16	3/16
	2	7.0																	
	50mm	2.6	44.5	206.4	57.2	152.4	169.9	M16	27.0	19.1	115.1	61.9	57.2	15.1	29.4	93.7	187.3	20.6	4.8
211	2	9.0	1-27/32	8-7/8	2-5/16	6-3/8	7-7/16	5/8	1-7/32	7/8	4-31/32	2-23/32	2-1/2	5/8	1-7/32	3-15/16	7-7/8	13/16	3/16
	2-3/16	8.9																	
	2-1/4	8.8																	
	55mm	3.3	46.8	225.4	58.7	161.9	188.9	M16	31.0	22.2	126.2	69.1	63.5	15.9	31.0	100.0	200.0	20.6	4.8
212	2-1/4	10.8	1-63/64	9-1/2	2-3/8	6-7/8	7-15/16	5/8	1-7/32	7/8	5-13/32	2-31/32	2-3/4	43/64	1-5/16	4-1/4	8-1/2	7/8	3/16
	2-7/16	10.2																	
	60mm	4.2	50.4	241.3	60.3	174.6	201.6	M16	31.0	22.2	137.3	75.4	69.9	17.1	33.3	108.0	215.9	22.2	4.8
214	2-1/2	15.5	2-15/64	10-3/4	2-11/16	7-1/2	8-1/2	3/4	1-5/16	15/16	6-3/32	3-5/16	3	51/64	1-7/16	4-7/8	9-3/4	15/16	3/16
	2-11/16	15.0																	
	70mm	6.9	56.8	273.1	68.3	190.5	215.9	M18	33.3	23.8	154.8	84.1	76.2	20.2	36.5	123.8	247.7	23.8	4.8
215	2-15/16	20.5	2-9/32	11-3/4	2-7/8	8-1/2	9-1/2	7/8	1-7/16	1	6-3/4	3-5/8	3-1/2	13/16	1-15/32	5-31/64	10-31/32	1-3/64	3/16
	75mm	7.9	57.9	298.5	73.0	215.9	241.3	M22	36.5	25.4	171.5	92.1	88.9	20.6	37.3	139.3	278.6	26.6	4.8
215 (SCU)	2-15/16	20.7	2-9/32	11-3/4	2-7/8	8-1/2	9-1/2	7/8	1-7/16	1	6-1/2	3-5/8	3-1/4	13/16	1-15/32	5-31/64	10-31/32	1-3/64	3/16
218	90mm	13.6	63.1	355.6	85.7	261.9	295.3	M22	40.5	33.3	203.2	110.7	101.6	23.4	39.7	116.7	333.4	30.2	4.8

FEATURES/BENEFITS PAGE B3-2	NOMENCLATURE PAGE B3-6	SELECTION PAGE B3-6	MODIFICATION/ACCESSORIES PAGE B3-132
--------------------------------	---------------------------	------------------------	---

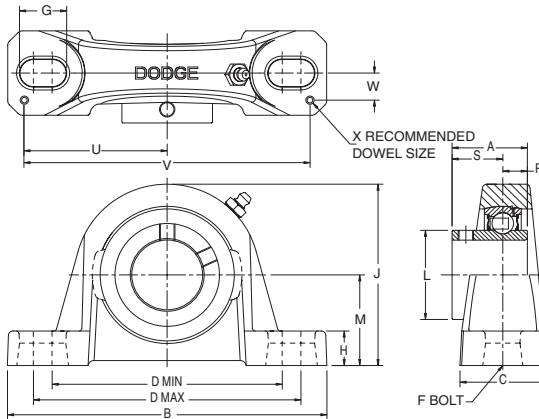
SELECTION/DIMENSIONS



Setscrew Ball Bearings SCAH AND SCUAH AIR HANDLING NORMAL DUTY PILLOW BLOCKS

Lube Fitting

203 series - 1/4-28 tapered thread
204 series and larger - 1/8-27 NPT



Series	Shaft Size	Part No.	Description
203	1/2	123725	P2B-SCAH-008
	5/8	123958	P2B-SCAH-010
	17mm	@	<i>P2B-SCAH-17M</i>
203 (SCU)	1/2	@	P2B-SCUAH-008
	5/8	@	P2B-SCUAH-010
	17mm	@	<i>P2B-SCUAH-17M</i>
204	1/2	@	P2B-SCAH-008L
	5/8	123790	P2B-SCAH-010L
	3/4	123904	P2B-SCAH-012
	20mm	056606	<i>P2B-SCAH-20M</i>
205	7/8	064450	P2B-SCAH-014
	15/16	123903	P2B-SCAH-015
	1	123905	P2B-SCAH-100
	25mm	053718	<i>P2B-SCAH-25M</i>
206	1-1/16	@	P2B-SCAH-101
	1-1/8	123919	P2B-SCAH-102
	1-3/16	123906	P2B-SCAH-103
	1-1/4	@	P2B-SCAH-104S
206 (SCU)	30mm	@	<i>P2B-SCAH-30M</i>
	1-1/16	@	P2B-SCUAH-101
	1-1/8	@	P2B-SCUAH-102
	1-3/16	123918	P2B-SCUAH-103
207	1-1/4	123907	P2B-SCUAH-104S
	30mm	@	<i>P2B-SCUAH-30M</i>
	1-1/4	123907	P2B-SCAH-104
	1-5/16	@	P2B-SCAH-105
207	1-3/8	050792	P2B-SCAH-106
	1-7/16	123908	P2B-SCAH-107
	35mm	053717	<i>P2B-SCAH-35M</i>

@ Assembled to order

FEATURES/BENEFITS PAGE B3-2	NOMENCLATURE PAGE B3-6	SELECTION PAGE B3-6	MODIFICATION/ACCESSORIES PAGE B3-132
--------------------------------	---------------------------	------------------------	---

SELECTION/DIMENSIONS



Setscrew Ball Bearings

SCAH AND SCUAH AIR HANDLING NORMAL DUTY PILLOW BLOCKS

Bearing Quick Reference

E-Z KLEEN

GRIP TIGHT Adapter Ball Bearing

Setscrew Ball Bearing

Eccentric Collar Ball Bearing

Series	Shaft Size	Weight lbs. kgs.	A	B	C	D		F Bolt Dia.	G	H	J	L	M	R	S	U	V	W	X
						min.	max.												
203	1/2	1.1	1	5	1-13/64	3-1/4	4-1/16	3/8	27/32	15/32	2-9/64	31/32	1-1/16	23/64	41/64	2-1/4	4-1/2	3/8	1/8
	5/8	1.0																	
	17mm	0.4	25.4	127.0	30.6	82.6	103.2	M10	21.4	11.9	54.4	24.6	27.0	9.1	16.3	57.2	114.3	9.5	3.2
203 (SCU)	1/2	1.2	1	5	1-13/64	3-1/4	4-1/16	3/8	27/32	19/32	2-17/64	31/32	1-3/16	23/64	41/64	2-1/4	4-1/2	3/8	1/8
	5/8	1.0																	
	17mm	0.4	25.4	127.0	30.6	82.6	103.2	M10	21.4	15.1	57.5	24.6	30.2	9.1	16.3	57.2	114.3	9.5	3.2
204	1/2	1.6	1-5/32	5-1/4	1-21/64	3-3/8	4-3/16	3/8	27/32	33/64	2-9/16	1-1/8	1-5/16	27/64	47/64	2-1/4	4-1/2	1/2	1/8
	5/8	1.5																	
	3/4	1.4	29.4	133.4	33.7	85.7	106.4	M10	21.4	13.1	65.1	28.6	33.3	10.7	18.7	57.2	114.3	12.7	3.2
205	7/8	1.8	1-3/16	5-1/2	1-13/32	3-11/16	4-1/2	3/8	27/32	37/64	2-25/32	1-5/16	1-7/16	27/64	49/64	2-1/2	5	1/2	3/16
	15/16	1.7																	
	1	1.6	30.2	139.7	35.7	93.7	114.3	M10	21.4	14.7	70.6	33.3	36.5	10.7	19.4	63.5	127.0	12.7	4.8
206	1-1/16	2.8	1-25/64	6-1/4	1-47/64	4-1/4	5	1/2	15/16	11/16	3-1/4	1-37/64	1-5/8	31/64	29/32	2-7/8	5-3/4	9/16	3/16
	1-1/8	2.7																	
	1-3/16	2.6	35.3	158.8	44.1	108.0	127.0	M12	23.8	17.5	82.6	40.1	41.3	12.3	23.0	73.0	146.1	14.3	4.8
206 (SCU)	1-1/4	2.5																	
	30mm	1.1	35.3	158.8	44.1	108.0	127.0	M12	23.8	19.1	84.1	40.1	42.9	12.3	23.0	73.0	146.1	14.3	4.8
	1-1/16	2.9	1-25/64	6-1/4	1-47/64	4-1/4	5.00	1/2	15/16	3/4	3-5/16	1-37/64	1-11/16	31/64	29/32	2-7/8	5-3/4	9/16	3/16
207	1-1/8	2.8																	
	1-3/16	2.7	35.3	158.8	44.1	108.0	127.0	M12	23.8	19.1	84.1	40.1	42.9	12.3	23.0	73.0	146.1	14.3	4.8
	1-1/4	2.6																	
207	1-1/4	4.5	1-17/32	6-1/2	1-47/64	4-11/16	5-7/16	1/2	15/16	45/64	3-3/4	1-27/32	1-7/8	1/2	1-1/32	2-29/32	5-13/16	9/16	3/16
	1-5/16	4.4																	
	35mm	1.5	38.9	165.1	44.1	119.1	138.1	M12	23.8	17.9	95.3	46.8	47.6	12.7	26.2	73.8	147.6	14.3	4.8

FEATURES/BENEFITS PAGE B3-2	NOMENCLATURE PAGE B3-6	SELECTION PAGE B3-6	MODIFICATION/ACCESSORIES PAGE B3-132
--------------------------------	---------------------------	------------------------	---

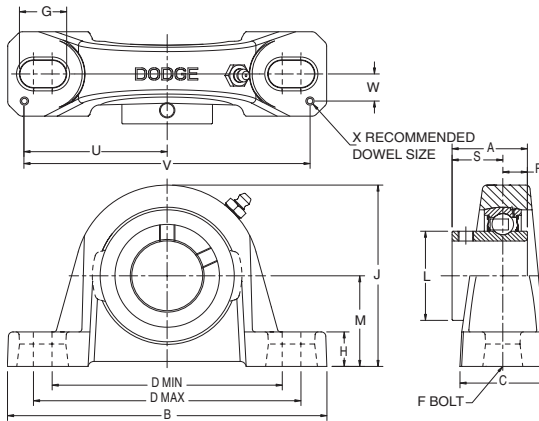
SELECTION/DIMENSIONS



Setscrew Ball Bearings SCAH AND SCUAH AIR HANDLING NORMAL DUTY PILLOW BLOCK

Lube Fitting

203 series - 1/4-28 tapered thread
204 series and larger - 1/8-27 NPT



Series	Shaft Size	Part No.	Description
208	1-1/2	123909	P2B-SCAH-108
	1-5/8	056750	P2B-SCAH-110
	40mm	@	P2B-SCAH-40M
209	1-5/8	@	P2B-SCAH-110L
	1-11/16	123910	P2B-SCAH-111
	1-3/4	123911	P2B-SCAH-112
	45mm	052413	P2B-SCAH-45M
210	1-15/16	123912	P2B-SCAH-115
	2	@	P2B-SCAH-200
211	50mm	052414	P2B-SCAH-50M
	2	126847	P2B-SCMAH-200
	2-3/16	123913	P2B-SCAH-203
	2-1/4	@	P2B-SCAH-204
212	55mm	@	P2B-SCAH-55M
	2-1/4	@	P2B-SCMAH-204
	2-7/16	123914	P2B-SCAH-207
214	60mm	054009	P2B-SCAH-60M
	2-1/2	@	P2B-SCMAH-204
	2-11/16	124872	P2B-SCAH-211
215	70mm	@	P2B-SCAH-70M
	2-15/16	123915	P2B-SCAH-215
215 (SCU)	75mm	@	P2B-SCAH-75M
	75mm	@	P2B-SCUAH-215
		@	P2B-SCUAH-75M

© Assembled to order

FEATURES/BENEFITS PAGE B3-2	NOMENCLATURE PAGE B3-6	SELECTION PAGE B3-6	MODIFICATION/ACCESSORIES PAGE B3-132
--------------------------------	---------------------------	------------------------	---

SELECTION/DIMENSIONS



Setscrew Ball Bearings

SCAH AND SCUAH AIR HANDLING NORMAL DUTY PILLOW BLOCK

Bearing Quick Reference

E-Z KLEEN

GRIP TIGHT Adapter Ball Bearing

Setscrew Ball Bearing

Eccentric Collar Ball Bearing

Series	Shaft Size	Weight lbs kgs	A	B	C	D		F Bolt Dia.	G	H	J	L	M	R	S	U	V	W	X
						min.	max.												
208	1-1/2	5.4	1-11/16	7-1/4	1-15/16	5-3/16	5-7/8	1/2	29/32	15/16	4-3/16	2-3/64	2-1/8	19/32	1-3/32	3-17/64	6-17/32	11/16	3/16
	1-5/8	5.3																	
	40mm	2.2	42.9	184.2	49.2	131.8	149.2	M12	23.0	23.8	106.4	52.0	54.0	15.1	27.8	82.9	165.9	17.5	4.8
209	1-5/8	6.6	1-23/32	7-7/16	2	5-1/2	6-3/8	1-2	29/32	3/4	4-9/32	2-7/32	2-1/8	19/32	1-1/8	3-3/8	6-3/4	11/16	3/16
	1-11/16	6.4																	
	1-3/4	6.2																	
	45mm	2.2	43.7	188.9	50.8	139.7	160.9	M12	23.0	19.1	108.7	56.4	54.0	15.1	28.6	85.7	171.5	17.5	4.8
210	1-15/16	7.2	1-3/4	8-1/8	2-1/4	6	6-11/16	5/8	1-1/16	3/4	4-17/32	2-7/16	2-1/4	19/32	1-5/32	3-11/16	7-3/8	13/16	3/16
	2	7.0																	
	50mm	2.6	44.5	206.4	57.2	152.40	169.9	M16	27.0	19.1	115.1	61.9	57.2	15.1	29.4	93.7	187.3	20.6	4.8
211	2	9.0	1-27/32	8-7/8	2-5/16	6-3/8	7-7/16	5/8	1-7/32	7/8	4-31/32	2-23/32	2-1/2	5/8	1-7/32	3-15/16	7-7/8	13/16	3/16
	2-3/16	8.9																	
	2-1/4	8.8																	
	55mm	3.3	46.8	225.4	58.7	161.9	188.9	M16	31.0	22.2	126.2	69.1	63.5	15.9	31.0	100.0	200.0	20.6	4.8
212	2-1/4	10.8	1-63/64	9-1/2	2-3/8	6-7/8	7-15/16	5/8	1-7/32	7/8	5-13/32	2-31/32	2-3/4	43/64	1-5/16	4-1/4	8-1/2	7/8	3/16
	2-7/16	10.2																	
	60mm	4.2	50.4	241.3	60.3	174.6	201.6	M16	31.0	22.2	137.3	75.4	69.9	17.1	33.3	108.0	215.9	22.2	4.8
214	2-1/2	15.5	2-15/64	10-3/4	2-11/16	7-1/2	8-1/2	3/4	1-5/16	15/16	6-3/32	3-5/16	3	51/64	1-7/16	4-7/8	9-3/4	15/16	3/16
	2-11/16	15.0																	
	70mm	6.9	56.8	273.1	68.3	190.5	215.9	M18	33.3	23.8	154.8	84.1	76.2	20.2	36.5	123.8	247.7	23.8	4.8
215	2-15/16	20.5	2-9/32	11-3/4	2-7/8	8-1/2	9-1/2	7/8	1-7/16	1	6-3/4	3-5/8	3-1/2	13/16	1-15/32	5-31/64	10-31/32	1-3/64	3/16
	2-7/16	10.2																	
	75mm	7.9	57.9	298.5	73.0	215.9	241.3	M22	36.5	25.4	171.5	92.1	88.9	20.6	37.3	139.3	278.6	26.6	4.8
215 (SCU)	2-15/16	20.7	2-9/32	11-3/4	2-7/8	8-1/2	9-1/2	7/8	1-7/16	1	6-1/2	3-5/8	3-1/4	13/16	1-15/32	5-31/64	10-31/32	1-3/64	3/16
	75mm	8.0	57.9	298.5	73.0	215.9	241.3	M22	36.5	25.4	165.1	92.1	82.6	20.6	37.3	139.3	278.6	26.6	4.8

FEATURES/BENEFITS PAGE B3-2	NOMENCLATURE PAGE B3-6	SELECTION PAGE B3-6	MODIFICATION/ACCESSORIES PAGE B3-132
--------------------------------	---------------------------	------------------------	---

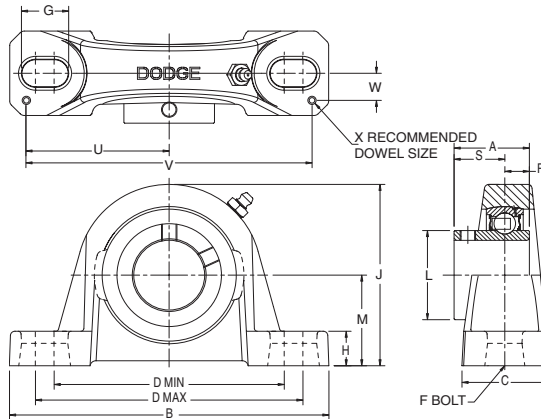


SELECTION/DIMENSIONS

Setscrew Ball Bearings SCB NORMAL DUTY PILLOW BLOCKS

Lube Fitting

203 series - 1/4-28 tapered thread
204 series and larger - 1/8-27 NPT



Series	Shaft Size	Part No.	Description
203 (SC)	1/2	123830	P2B-SC-008
	5/8	123831	P2B-SC-010
	17mm	053170	<i>P2B-SC-17M</i>
204	1/2	123854	P2B-SCB-008L
	5/8	123855	P2B-SCB-010L
	3/4	123860	P2B-SCB-012
	20mm	@	<i>P2B-SCB-20M</i>
205	7/8	123861	P2B-SCB-014
	15/16	123862	P2B-SCB-015
	1	123863	P2B-SCB-100
	25mm	125768	<i>P2B-SCB-25M</i>
206	1-1/16	123856	P2B-SCB-101
	1-1/8	123864	P2B-SCB-102
	1-3/16	123865	P2B-SCB-103
	1-1/4	123171	P2B-SCB-104S
	30mm	125760	<i>P2B-SCB-30M</i>
207	1-1/4	123866	P2B-SCB-104
	1-5/16	123857	P2B-SCB-105
	1-3/8	123867	P2B-SCB-106
	1-7/16	123868	P2B-SCB-107
	35mm	124944	<i>P2B-SCB-35M</i>

@ Assembled to order.

FEATURES/BENEFITS PAGE B3-2	NOMENCLATURE PAGE B3-6	SELECTION PAGE B3-6	MODIFICATION/ACCESSORIES PAGE B3-132
--------------------------------	---------------------------	------------------------	---

SELECTION/DIMENSIONS



Setscrew Ball Bearings SCB NORMAL DUTY PILLOW BLOCKS

Series	Shaft Size	Weight lb. kg	A	B	C	D		F Bolt Dia.	G	H	J	L	M	R	S	U	V	W	X
						Min.	Max.												
203 (SC)	1/2	1.1	1	5	1-31/64	3-1/4	4-1/16	3/8	27/32	2-9/64	2-9/64	31/32	1-1/16	23/64	41/64	2-1/4	4-1/2	3/8	1/8
	5/8	1.0																	
	17mm	0.4	25.4	127.0	30.6	82.6	103.2	M10	21.4	11.4	54.4	24.6	27.0	9.1	16.3	57.2	114.3	9.5	3.2
204	1/2	1.6	1-5/32	5-1/4	1-21/64	3-3/8	4-3/16	3/8	27/32	29/64	2-1/2	1-1/8	1-1/4	27/64	47/64	2-1/4	4-1/2	1/2	1/8
	5/8	1.5																	
	3/4	1.4																	
	20mm	0.7	29.4	133.4	33.7	85.7	106.4	M10	21.4	11.5	63.5	28.6	31.8	10.7	18.7	57.2	114.3	12.7	3.2
205	7/8	1.8	1-3/16	5-1/2	1-13/32	3-11/16	4-1/2	3/8	27/32	29/64	2-21/32	1-5/16	1-5/16	27/64	49/64	2-1/2	5	1/2	3/16
	15/16	1.7																	
	1	1.6																	
	25mm	0.7	30.2	139.7	35.7	93.7	114.3	M10	21.4	11.5	67.5	33.3	33.3	10.7	19.4	63.5	127.0	12.7	4.8
206	1-1/16	2.8	1-25/64	6-1/4	1-47/64	4-1/4	5	1/2	15/16	5/8	3-3/16	1-37/64	1-9/16	31/64	29/32	2-7/8	5-3/4	9/16	3/16
	1-1/8	2.7																	
	1-3/16	2.6																	
	1-1/4	2.5																	
	30mm	1.1	35.3	158.8	44.1	108.0	127.0	M12	23.8	15.9	81.0	40.1	39.7	12.3	23.0	73.0	146.1	14.3	4.8
207	1-1/4	4.5	1-17/32	6-1/2	1-47/64	4-11/16	5-7/16	1/2	15/16	41/64	3-11/16	1-27/32	1-13/16	1/2	1-1/32	2-29/32	5-13/16	9/16	3/16
	1-5/16	4.4																	
	1-3/8	4.3																	
	1-7/16	4.2																	
	35mm	1.5	38.9	165.1	44.1	119.1	138.1	M12	23.8	16.3	93.7	46.8	46.0	12.7	26.2	73.8	147.6	14.3	4.8

FEATURES/BENEFITS PAGE B3-2	NOMENCLATURE PAGE B3-6	SELECTION PAGE B3-6	MODIFICATION/ACCESSORIES PAGE B3-132
--------------------------------	---------------------------	------------------------	---

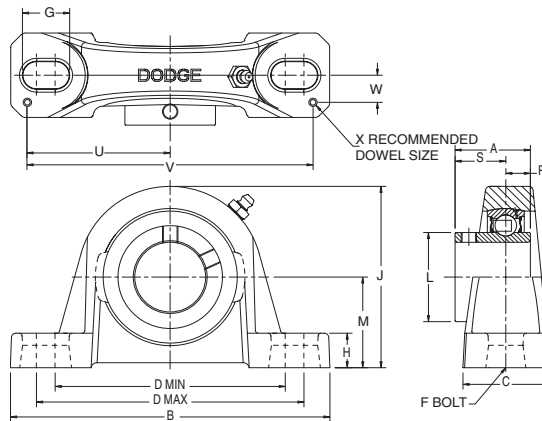


SELECTION/DIMENSIONS

Setscrew Ball Bearings SCB NORMAL DUTY PILLOW BLOCKS

Lube Fitting

203 series - 1/4-28 tapered thread
204 series and larger - 1/8-27 NPT



Series	Shaft Size	Part No.	Description
208	1-1/2	123869	P2B-SCB-108
	1-5/8	123858	P2B-SCB-110
	40mm	125856	P2B-SCB-40M
209	1-5/8	@	P2B-SCB-110L
	1-11/16	123870	P2B-SCB-111
	1-3/4	123871	P2B-SCB-112
	45mm	051878	P2B-SCB-45M
210	1-15/16	123872	P2B-SCB-115
	2	123873	P2B-SCB-200
	50mm	051879	P2B-SCB-50M
211	2	057603	P2B-SCB-200L
	2-3/16	123874	P2B-SCB-203
	2-1/4	123589	P2B-SCB-204
	55mm	124943	P2B-SCB-55M
212	2-1/4	@	P2B-SCB-204L
	2-7/16	123875	P2B-SCB-207
	60mm	051880	P2B-SCB-60M
215	2-15/16	123727	P2B-SCB-215
	75mm	@	P2B-SCB-75M

@ Assembled to order.

FEATURES/BENEFITS PAGE B3-2	NOMENCLATURE PAGE B3-6	SELECTION PAGE B3-6	MODIFICATION/ACCESSORIES PAGE B3-132
--------------------------------	---------------------------	------------------------	---

SELECTION/DIMENSIONS



Setscrew Ball Bearings SCB NORMAL DUTY PILLOW BLOCKS

Bearing Quick Reference

E-Z KLEEN

GRIP TIGHT Adapter Ball Bearing

Setscrew Ball Bearing

Eccentric Collar Ball Bearing

Series	Shaft Size	Weight lbs kgs	A	B	C	D		F Bolt Dia.	G	H	J	L	M	R	S	U	V	W	X
						Min.	Max.												
208	1-1/2	5.4	1-11/16	7-1/4	1-15/16	5-3/16	5-7/8	1/2	29/32	3/4	4	2-3/64	1-15/16	19/32	1-3/32	3-17/64	6-17/32	11/16	3/16
	1-5/8	5.3																	
	40mm	2.2	42.9	184.2	49.2	131.8	149.2	M12	23.0	19.1	101.6	52.0	49.2	15.1	27.8	82.9	165.9	17.5	4.8
209	1-5/8	6.6	1-23/32	7-7/16	2	5-1/2	6-3/8	1/2	29/32	11/16	4-7/32	2-7/32	2-1/16	19/32	1-1/8	3-3/8	6-3/4	11/16	3/16
	1-11/16	6.4																	
	1-3/4	6.2																	
	45mm	2.2	43.7	188.9	50.8	139.7	161.9	M12	23.0	17.5	107.2	56.4	52.4	15.1	28.6	85.7	171.5	17.5	4.8
210	1-15/16	7.2	1-3/4	8-1/8	2-1/4	6	6-11/16	5/8	1-1/64	11/16	4-15/32	2-7/16	2-3/16	19/32	1-5/32	3-11/16	7-3/8	13/16	3/16
	2	7.0																	
	50mm	2.6	44.5	206.4	57.2	152.4	169.9	M16	25.8	17.5	113.5	61.9	55.6	15.1	29.4	93.7	187.3	20.6	4.8
211	2	9.0	1-27/32	8-7/8	2-5/16	6-3/8	7-7/16	5/8	1-7/32	13/16	4-29/32	2-23/32	2-7/16	5/8	1-7/32	3-15/16	7-7/8	13/16	3/16
	2-3/16	8.9																	
	2-1/4	8.8																	
	55mm	3.3	46.8	225.4	58.7	161.9	188.9	M16	31.0	20.6	124.6	69.1	61.9	15.9	31.0	100.0	200.0	20.6	4.8
212	2-1/4	10.8	1-63/64	9-1/2	2-3/8	6-7/8	7-15/16	5/8	1-7/32	13/16	5-11/32	2-31/32	2-11/16	43/64	1-5/16	4-1/4	8-1/2	7/8	3/16
	2-7/16	10.2																	
	60mm	4.2	50.4	241.3	60.3	174.6	201.6	M16	31.0	20.6	135.7	75.4	68.3	17.1	33.3	108.0	215.9	22.2	4.8
215	2-15/16	20.5	2-9/32	11-3/4	2-7/8	8-1/2	9-1/2	7/8	1-7/16	1-1/16	6-9/16	3-5/8	3-5/16	13/16	1-15/32	5-31/64	10-31/32	1-3/64	3/16
	75mm	7.9	57.9	298.5	73.0	215.9	241.3	M22	36.5	27.0	166.7	92.1	84.1	20.6	37.3	139.3	278.6	26.6	4.8

FEATURES/BENEFITS PAGE B3-2	NOMENCLATURE PAGE B3-6	SELECTION PAGE B3-6	MODIFICATION/ACCESSORIES PAGE B3-132
--------------------------------	---------------------------	------------------------	---

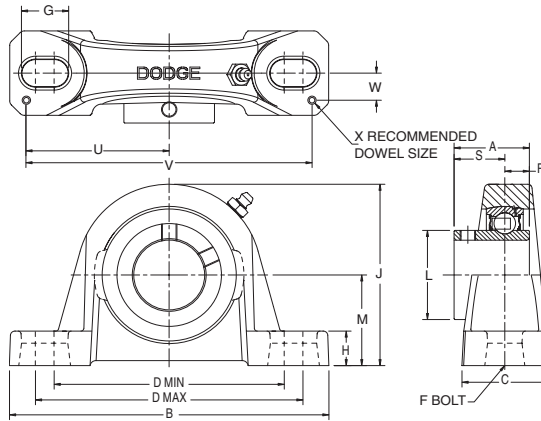


SELECTION/DIMENSIONS

Setscrew Ball Bearings SCBAH AIR HANDLING NORMAL DUTY PILLOW BLOCKS

Lube Fitting

203 series - 1/4-28 tapered thread
204 series and larger - 1/8-27 NPT



Series	Shaft Size	Part No.	Description
203	1/2	123725	P2B-SCAH-008
	5/8	123958	P2B-SCAH-010
	17mm	@	P2B-SCAH-17M
204	1/2	@	P2B-SCBAH-008L
	5/8	@	P2B-SCBAH-010L
	3/4	123959	P2B-SCBAH-012
	20mm	@	P2B-SCBAH-20M
205	7/8	@	P2B-SCBAH-014
	15/16	@	P2B-SCBAH-015
	1	123960	P2B-SCBAH-100
	25mm	@	P2B-SCBAH-25M
206	1-1/16	@	P2B-SCBAH-101
	1-1/8	@	P2B-SCBAH-102
	1-3/16	123961	P2B-SCBAH-103
	1-1/4	123962	P2B-SCBAH-104S
	30mm	@	P2B-SCBAH-30M
207	1-1/4	123963	P2B-SCBAH-104
	1-5/16	@	P2B-SCBAH-105
	1-3/8	@	P2B-SCBAH-106
	1-7/16	123918	P2B-SCBAH-107
	35mm	@	P2B-SCBAH-35M

@ Assembled to order

FEATURES/BENEFITS PAGE B3-2	NOMENCLATURE PAGE B3-6	SELECTION PAGE B3-6	MODIFICATION/ACCESSORIES PAGE B3-132
--------------------------------	---------------------------	------------------------	---

SELECTION/DIMENSIONS



Setscrew Ball Bearings SCBAH AIR HANDLING NORMAL DUTY PILLOW BLOCKS

Series	Shaft Size	Weight lbs kgs	A	B	C	D		F Bolt Dia.	G	H	J	L	M	R	S	U	V	W	X
						min.	max.												
203	1/2	1.1	1	5	1-31/64	3-1/4	4-1/16	3/8	27/32	2-9/64	2-9/64	31/32	1-1/16	23/64	41/64	2-1/4	4-1/2	3/8	1/8
	5/8	1.0																	
	17mm	0.4	25.4	127.0	30.6	82.6	103.2	M10	21.4	11.4	54.4	24.6	27.0	9.1	16.3	57.2	114.3	9.5	3.2
204	1/2	1.6	1-5/32	5-1/4	1-21/64	3-3/8	4-3/16	3/8	27/32	29/64	2-1/2	1-1/8	1-1/4	27/64	47/64	2-1/4	4-1/2	1/2	1/8
	5/8	1.5																	
	3/4	1.4																	
	20mm	0.7	29.4	133.4	33.7	85.7	106.4	M10	21.4	11.5	63.5	28.6	31.8	10.7	18.7	57.2	114.3	12.7	3.2
205	7/8	1.8	1-3/16	5-1/2	1-13/32	3-11/16	4-1/2	3/8	27/32	29/64	2-21/32	1-5/16	1-5/16	27/64	49/64	2-1/2	5	1/2	3/16
	15/16	1.7																	
	1	1.6																	
	25mm	0.7	30.2	139.7	35.7	93.7	114.3	M10	21.4	11.5	67.5	33.3	33.3	10.7	19.4	63.5	127.0	12.7	4.8
206	1-1/16	2.8	1-25/64	6-1/4	1-47/64	4-1/4	5	1/2	15/16	5/8	3-3/16	1-37/64	1-9/16	31/64	29/32	2-7/8	5-3/4	9/16	3/16
	1-1/8	2.7																	
	1-3/16	2.6																	
	1-1/4	2.5																	
	30mm	1.1	35.3	158.8	44.1	108.0	127.0	M12	23.8	15.9	81.0	40.1	39.7	12.3	23.0	73.0	146.1	14.3	4.8
207	1-1/4	4.5	1-17/32	6-1/2	1-47/64	4-11/16	5-7/16	1/2	15/16	41/64	3-11/16	1-27/32	1-13/16	1/2	1-1/32	2-29/32	5-13/16	9/16	3/16
	1-5/16	4.4																	
	1-3/8	4.3																	
	1-7/16	4.2																	
	35mm	1.5	38.9	165.1	44.1	119.1	138.1	M12	23.8	16.3	93.7	46.8	46.0	12.7	26.2	73.8	147.6	14.3	4.8

FEATURES/BENEFITS PAGE B3-2	NOMENCLATURE PAGE B3-6	SELECTION PAGE B3-6	MODIFICATION/ACCESSORIES PAGE B3-132
--------------------------------	---------------------------	------------------------	---

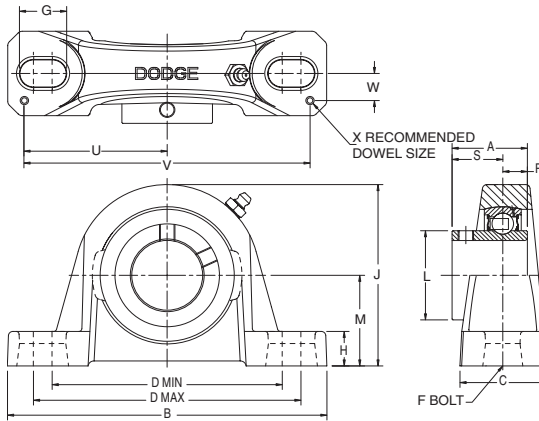
SELECTION/DIMENSIONS



Setscrew Ball Bearings SCBAH AIR HANDLING NORMAL DUTY PILLOW BLOCKS

Lube Fitting

203 series - 1/4-28 tapered thread
204 series and larger - 1/8-27 NPT



Series	Shaft Size	Part No.	Description
208	1-1/2	123936	P2B-SCBAH-108
	1-5/8	@	P2B-SCBAH-110
	40mm	054727	P2B-SCBAH-40M
209	1-5/8	@	P2B-SCBAH-110L
	1-11/16	123964	P2B-SCBAH-111
	1-3/4	@	P2B-SCBAH-112
	45mm	@	P2B-SCBAH-45M
210	1-15/16	123938	P2B-SCBAH-115
	2	123693	P2B-SCBAH-200
	50mm	@	P2B-SCBAH-50M
211	2	@	P2B-SCBAH-200L
	2/3/16	123965	P2B-SCBAH-203
	2-1/4	@	P2B-SCBAH-204
	55mm	@	P2B-SCBAH-55M
212	2-1/4	@	P2B-SCBAH-204L
	2-7/16	123966	P2B-SCBAH-207
	60mm	@	P2B-SCBAH-60M
215	2-15/16	@	P2B-SCBAH-215
	75mm	@	P2B-SCBAH-75M

@ Assembled to order

FEATURES/BENEFITS PAGE B3-2	NOMENCLATURE PAGE B3-6	SELECTION PAGE B3-6	MODIFICATION/ACCESSORIES PAGE B3-132
--------------------------------	---------------------------	------------------------	---

SELECTION/DIMENSIONS



Setscrew Ball Bearings SCBAH AIR HANDLING NORMAL DUTY PILLOW BLOCKS

Series	Shaft Size	Weight lbs kgs	A	B	C	D		F Bolt Dia.	G	H	J	L	M	R	S	U	V	W	X
						min.	max.												
208	1-1/2	5.4	1-11/16	7-1/4	1-15/16	5-3/16	5-7/8	1/2	29/32	3/4	4	2-3/64	1-15/16	19/32	1-3/32	3-17/64	6-17/32	11/16	3/16
	1-5/8	5.3																	
	40mm	2.2	42.9	184.2	49.2	131.8	149.2	M12	23.0	19.1	101.6	52.0	49.2	15.1	27.8	82.9	165.9	17.5	4.8
209	1-5/8	6.5	1-23/32	7-7/16	2	5-1/2	6-3/8	1/2	29/32	11/16	4-7/32	2-7/32	2-1/16	19/32	1-1/8	3-3/8	6-3/4	11/16	3/16
	1-11/16	6.4																	
	1-3/4	6.2																	
	45mm	2.2	43.7	188.9	50.8	139.7	161.9	M12	23.0	17.5	107.2	56.4	52.4	15.1	28.6	85.7	171.5	17.5	4.8
210	1-15/16	7.2	1-3/4	8-1/8	2-1/4	6	6-11/16	5/8	1-1/64	11/16	4-15/32	2-7/16	2-3/16	19/32	1-5/32	3-11/16	7-3/8	13/16	3/16
	2	7.0																	
	50mm	2.6	44.5	206.4	57.2	152.4	169.9	M16	25.8	17.5	113.5	61.9	55.6	15.1	29.4	93.7	187.3	20.6	4.8
211	2	9.0	1-27/32	8-7/8	2-5/16	6-3/8	7-7/16	5/8	1-7/32	13/16	4-29/32	2-23/32	2-7/16	5/8	1-7/32	3-15/16	7-7/8	13/16	3/16
	2-3/16	8.9																	
	2-1/4	8.8																	
	55mm	3.3	4.68	225.4	58.7	161.9	188.9	M16	31.0	20.6	124.6	69.1	61.9	15.9	31.0	100.0	200.0	20.6	4.8
212	2-1/4	10.8	1-63/64	9-1/2	2-3/8	6-7/8	7-15/16	5/8	1-7/32	13/16	5-11/32	2-31/32	2-11/16	43/64	1-5/16	4-1/4	8-1/2	7/8	3/16
	2-7/16	10.2																	
	60mm	4.2	50.4	241.3	60.3	174.6	201.6	M16	31.0	20.6	135.7	75.4	68.3	17.1	33.3	108.0	215.9	22.2	4.8
215	2-15/16	20.5	2-9/32	11-3/4	2-7/8	8-1/2	9-1/2	7/8	1-7/16	1-1/16	6-9/16	3-5/8	3-5/16	13/16	1-15/32	5-31/64	10-31/32	1-3/64	3/16
	75mm	7.9	57.9	298.5	73.0	215.9	241.3	M12	36.5	27.0	166.7	92.1	84.1	20.6	37.3	139.3	278.6	26.6	4.8

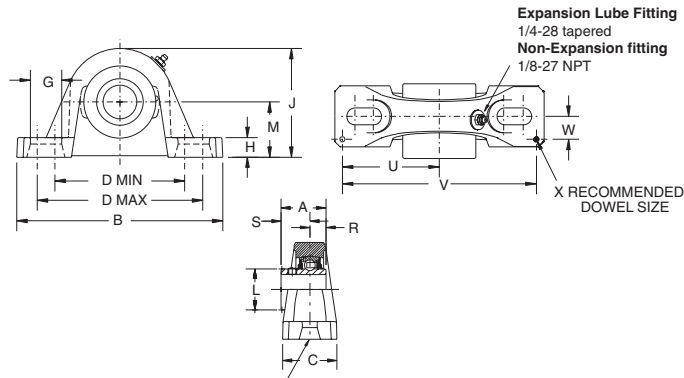
FEATURES/BENEFITS PAGE B3-2	NOMENCLATURE PAGE B3-6	SELECTION PAGE B3-6	MODIFICATION/ACCESSORIES PAGE B3-132
--------------------------------	---------------------------	------------------------	---

SELECTION/DIMENSIONS



Setscrew Ball Bearings

SCH-E EXPANSION AND SCH NON-EXPANSION NORMAL DUTY PILLOW BLOCKS



Series	Shaft Size	Expansion		Non-Expansion		Alternative	
		Part No.	Description	Part No.	Description	Part No.	Non-Exp. Description
205	1 25mm	064637	P2B-SCH-100-E	#	P2B-SCH-100	126147	P2B-SCM-100
		@	P2B-SCH-25M-E	#	P2B-SCH-25M	125925	P2B-SCM-25M
206	1	049692	P2B-SCMH-100-E	@	P2B-SCMH-100	---	---
	1-1/16	@	P2B-SCH-101-E	@	P2B-SCH-101	---	---
	1-1/8	@	P2B-SCH-102-E	@	P2B-SCH-102	---	---
	1-3/16	126405	P2B-SCH-103-E	126400	P2B-SCH-103	126148	P2B-SCM-103
	1-1/4	053183	P2B-SCH-104S-E	053184	P2B-SCH-104S	123810	P2B-SC-104
	25mm	053019	P2B-SCMH-25M-E	053018	P2B-SCMH-25M	---	---
207	30mm	053021	P2B-SCH-30M-E	053020	P2B-SCH-30M	125296	P2B-SCM-30M
	1-1/4	@	P2B-SCH-104-E	@	P2B-SCH-104	---	---
	1-5/16	@	P2B-SCH-105-E	@	P2B-SCH-105	---	---
	1-3/8	@	P2B-SCH-106-E	@	P2B-SCH-106	---	---
	1-7/16	126406	P2B-SCH-107-E	126401	P2B-SCH-107	126810	P2B-SCM-107
	35mm	@	P2B-SCH-35M-E	@	P2B-SCH-35M	125927	P2B-SCM-35M
209	1-1/2	@	P2B-SCMH-108-E	#	P2B-SCMH-108	---	---
	1-5/8	@	P2B-SCH-110L-E	#	P2B-SCH-110L	---	---
	1-11/16	057414	P2B-SCH-111-E	#	P2B-SCH-111	126812	P2B-SCM-111
	1-3/4	@	P2B-SCH-112-E	#	P2B-SCH-112	126813	P2B-SCM-112
	45mm	056481	P2B-SCH-45M-E	#	P2B-SCH-45M	125929	P2B-SCM-45M
210	1-11/16	@	P2B-SCMH-111-E	@	P2B-SCMH-111	---	---
	1-3/4	@	P2B-SCMH-112-E	@	P2B-SCMH-112	---	---
	1-15/16	126407	P2B-SCH-115-E	126402	P2B-SCH-115	126814	P2B-SCM-115
	2	052224	P2B-SCH-200-E	@	P2B-SCH-200	126875	P2B-SCM-200
	45mm	053023	P2B-SCMH-45M-E	053022	P2B-SCMH-45M	---	---
211	50mm	@	P2B-SCH-50M-E	@	P2B-SCH-50M	125930	P2B-SCM-50M
	1-15/16	052193	P2B-SCMH-115-E	052192	P2B-SCMH-115	---	---
	2	@	P2B-SCMH-200-E	@	P2B-SCMH-200	---	---
	2-3/16	126408	P2B-SCH-203-E	126403	P2B-SCH-203	126816	P2B-SCM-203
	2-1/4	@	P2B-SCH-204-E	@	P2B-SCH-204	126817	P2B-SCM-204
212	55mm	053025	P2B-SCH-55M-E	053024	P2B-SCH-55M	125931	P2B-SCM-55M
	2-3/16	056879	P2B-SCMH-203-E	056886	P2B-SCMH-203	---	---
	2-1/4	056887	P2B-SCMH-204-E	056883	P2B-SCMH-204	---	---
	2-7/16	126409	P2B-SCH-207-E	126404	P2B-SCH-207	126818	P2B-SCM-207
60mm	@	P2B-SCH-60M-E	@	P2B-SCH-60M	---	---	

@Assembled to order

Made to order. Minimum quantity may be required.

FEATURES/BENEFITS PAGE B3-2	NOMENCLATURE PAGE B3-6	SELECTION PAGE B3-6	MODIFICATION/ACCESSORIES PAGE B3-132
--------------------------------	---------------------------	------------------------	---

SELECTION/DIMENSIONS



Setscrew Ball Bearings

SCH-E EXPANSION AND SCH NON-EXPANSION NORMAL DUTY PILLOW BLOCKS

Series	Shaft Size	Weight lbs kgs	A	B	C	D		F Bolt	G	H	J
						Min.	Max.				
205	1	3.0	1-3/16	6-1/4	1-3/4	4-1/4	5	3/8	15/16	3/4	3-15/16
	25mm	1.3	30.2	158.6	44.5	108.0	127.0	M10	23.8	19.1	100.0
206	1	5.0	1-25/64	6-9/16	1-7/8	4-11/16	5-5/16	1/2	7/8	11/16	3-13/16
	1-1/16	4.8									
	1-1/8	4.7									
	1-3/16	4.6									
	1-1/4	4.5									
207	25mm	2.0	35.3	166.7	47.6	119.1	134.9	M12	22.2	17.5	96.8
	30mm	1.9									
	1-1/4	6.7	1-17/32	7-1/4	2-1/8	5-1/4	5-7/8	1/2	7/8	11/16	3-15/16
	1-5/16	6.6									
	1-3/8	6.5									
209	1-7/16	6.4									
	35mm	2.7	38.9	184.2	54.0	133.4	149.2	M12	22.2	17.5	100.0
	1-1/2	6.6	1-23/32	8-1/8	2-3/8	6	6-1/2	5/8	15/16	3/4	4-9/16
	1-5/8	6.4									
	1-11/16	6.3									
210	1-3/4	6.2									
	45mm	2.6	43.7	206.4	60.3	152.4	165.1	M12	23.8	19.1	115.9
	1-11/16	10.0	1-3/4	8-5/8	2-3/8	6-3/8	7-1/4	5/8	1-1/8	13/16	5-1/16
	1-3/4	9.9									
	1-15/16	9.8									
211	2	9.7									
	45mm	4.2	44.5	219.1	60.3	161.9	184.2	M16	28.6	20.6	128.6
	50mm	4.0									
	1-15/16	14.7	1-27/32	9-1/2	2-3/4	6-7/8	7-7/8	5/8	1-3/16	1	5-5/8
	2	14.5									
212	2-3/16	14.3									
	2-1/4	14.2									
	55mm	5.9	46.8	241.3	69.9	174.6	200.0	M18	30.2	25.4	142.9
	2-3/16	17.3	2-9/32	11-1/4	2-7/8	7-1/2	8-7/8	3/4	1-1/2	1-1/16	6-1/4
	2-1/4	17.1									
212	2-7/16	16.6									
	60mm	6.8	57.9	285.8	73.0	190.5	225.4	M16	38.1	27.0	158.8

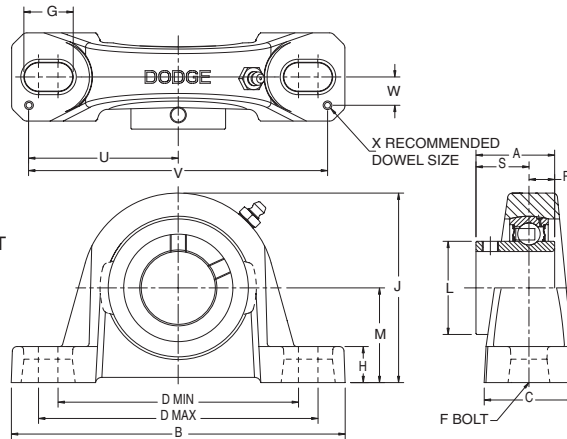
Series	Shaft Size	L	M	R	S	T	U	V	W	X
205	1	1-5/16	1-11/16	27/64	49/64	5/32	1-7/16	2-7/8	9/16	3/16
	25mm	33.3	42.9	10.7	19.4	4.0	36.5	73.0	14.3	4.8
206	1	1-37/64	1-7/8	31/64	29/32	3/16	2-29/32	5-13/16	9/16	3/16
	1-1/16									
	1-1/8									
	1-3/16									
	1-1/4									
207	25mm	40.1	47.6	12.3	23.0	4.8	73.8	147.6	14.3	4.8
	30mm									
	1-1/4	1-27/32	2-1/8	1/2	1-1/32	3/16	3-17/64	6-17/32	11/16	3/16
	1-5/16									
	1-3/8									
209	1-7/16	46.8	54.0	12.7	26.2	4.8	82.9	165.9	17.5	4.8
	35mm									
	1-1/2	2-7/32	2-1/4	19/32	1-1/8	1/4	3-11/16	7-3/8	13/16	3/16
	1-5/8									
	1-11/16									
210	1-3/4	56.4	57.2	15.1	28.6	6.4	93.7	187.3	20.6	4.8
	45mm									
	1-11/16	2-7/16	2-1/2	19/32	1-5/32	1/4	3-15/16	7-7/8	13/16	3/16
	1-3/4									
	1-15/16									
211	2	61.9	63.5	15.1	29.4	6.4	100.0	200.0	20.6	4.8
	45mm									
	1-15/16	2-23/32	2-3/4	5/8	1-7/32	1/4	4-1/4	8-1/2	7/8	3/16
	2									
	2-3/16									
212	2-1/4	69.1	69.9	15.9	31.0	6.4	108.0	215.9	22.2	4.8
	55mm									
	2-3/16	2-31/32	3	43/64	1-5/16	1/4	4-7/8	9-3/4	15/16	3/16
	2-1/4									
	2-7/16									
212	60mm	75.4	76.2	17.1	33.3	6.4	123.8	247.7	23.8	4.8

FEATURES/BENEFITS PAGE B3-2	NOMENCLATURE PAGE B3-6	SELECTION PAGE B3-6	MODIFICATION/ACCESSORIES PAGE B3-132
--------------------------------	---------------------------	------------------------	---

SELECTION/DIMENSIONS



Setscrew Ball Bearings SCM MEDIUM DUTY PILLOW BLOCKS



Lube Fitting

203 series - 1/4-28 tapered thread
204 series and larger - 1/8-27 NPT

Series	Shaft Size	Standard		No-Lube/Sealed for Life (-NL)		With Flingers	
		Part No.	Description	Part No.	Description	Part No.	Description
206	1 25mm	126147	P2B-SCM-100	058624	P2B-SCM-100-NL	@	P2B-SCM-100-FF
		125925	P2B-SCM-25M	@	P2B-SCM-25M-NL	@	P2B-SCM-25M-FF
207	1-3/16 1-1/4 30mm	126148	P2B-SCM-103	052275	P2B-SCM-103-NL	@	P2B-SCM-103-FF
		123810	P2B-SC-104	123933	P2B-SC-104-NL	123097	P2B-SC-104-FF
208	1-7/16 35mm	125926	P2B-SCM-30M	@	P2B-SCM-30M-NL	@	P2B-SCM-30M-FF
		126810	P2B-SCM-107	126855	P2B-SCM-107-NL	057275	P2B-SCM-107-FF
209	1-5/8 40mm	125937	P2B-SCM-35M	@	P2B-SCM-35M-NL	@	P2B-SCM-35M-FF
		126811	P2B-SCM-108	058400	P2B-SCM-108-NL	050808	P2B-SCM-108-FF
210	1-11/16 1-3/4 45mm	125169	P2B-SC-110L	@	P2B-SC-110L-NL	@	P2B-SC-110L-FF
		125928	P2B-SCM-40M	@	P2B-SCM-40M-NL	@	P2B-SCM-40M-FF
211	1-11/16 2 50mm	126812	P2B-SCM-111	@	P2B-SCM-111-NL	@	P2B-SCM-111-FF
		126813	P2B-SCM-112	@	P2B-SCM-112-NL	051981	P2B-SCM-112-FF
212	2-3/16 2-1/4 55mm	125929	P2B-SCM-45M	@	P2B-SC-M45M-NL	@	P2B-SCM-45M-FF
		126814	P2B-SCM-115	126856	P2B-SCM-115-NL	126802	P2B-SCM-115-FF
214	2-7/16 2-1/2 65mm	126815	P2B-SCM-200	126547	P2B-SCM-200-NL	054561	P2B-SCM-200-FF
		125930	P2B-SCM-50M	@	P2B-SCM-50M-NL	@	P2B-SCM-50M-FF
215	2-3/16 2-1/4 55mm	126816	P2B-SCM-203	052005	P2B-SCM-203-NL	126858	P2B-SCM-203-FF
		126817	P2B-SCM-204	@	P2B-SCM-204-NL	@	P2B-SCM-204-FF
216	2-7/16 2-1/2 65mm	125931	P2B-SCM-55M	@	P2B-SCM-55M-NL	@	P2B-SCM-55M-FF
		126818	P2B-SCM-207	126857	P2B-SCM-207-NL	126859	P2B-SCM-207-FF
218	2-11/16 70mm	126819	P2B-SCM-208	@	P2B-SCM-208-NL	@	P2B-SCM-208-FF
		125932	P2B-SCM-65M	@	P2B-SCM-65M-NL	052816	P2B-SCM-65M-FF
219	2-11/16 70mm	126820	P2B-SCM-211	126533	P2B-SCM-211-NL	@	P2B-SCM-211-FF
		125933	P2B-SCM-70M	@	P2B-SC-70M-NL	@	P2B-SC-70M-FF
220	2-15/16 3 75mm	126821	P2B-SCM-215	126534	P2B-SCM-215-NL	050185	P2B-SCM-215-FF
		126822	P2B-SCM-300	126535	P2B-SCM-300-NL	054459	P2B-SCM-300-FF
221	3-7/16 3-1/2 85mm	125934	P2B-SCM-75M	@	P2B-SCM-75M-NL	054435	P2B-SCM-75M-FF
		126823	P2B-SCM-307	@	P2B-SCM-307-NL	126792	P2B-SCM-307-FF
222	3-7/16 3-1/2 85mm	126824	P2B-SCM-308	@	P2B-SCM-308-NL	@	P2B-SCM-308-FF
		125935	PWB-SCM-85M	@	PWB-SCM-85M-NL	@	PWB-SCM-85M-FF

@ Assembled to order

FEATURES/BENEFITS PAGE B3-2	NOMENCLATURE PAGE B3-6	SELECTION PAGE B3-6	MODIFICATION/ACCESSORIES PAGE B3-132
--------------------------------	---------------------------	------------------------	---

SELECTION/DIMENSIONS



Setscrew Ball Bearings SCM MEDIUM DUTY PILLOW BLOCKS

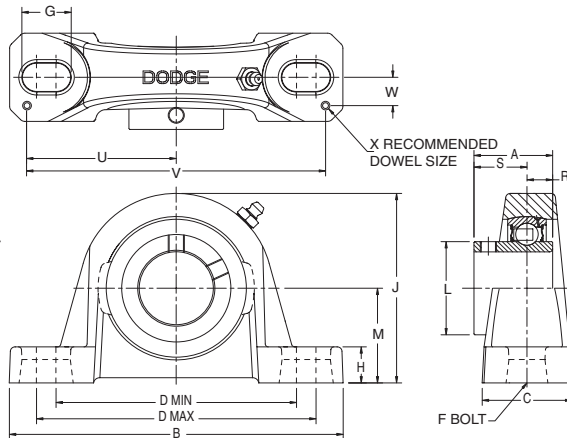
Series	Shaft Size	Weight lbs. kgs.	A	B	C	D		F Bolt Dia.	G	H	J	L	M	R	S	U	V	W	X
						Min.	Max.												
206	1	3.0	1-25/64	6-1/4	1-47/64	4-1/4	5	1/2	15/16	3/4	3-5/16	1-37/64	1-11/16	31/64	29/32	2-7/8	5-3/4	9/16	3/16
	25mm	1.3	35.3	158.8	44.1	108.0	127.0	M12	23.8	17.5	82.6	40.1	41.3	12.3	23.0	73.0	146.1	14.3	4.8
207	1-3/16	4.6	1-17/32	6-1/2	1-47/64	4-11/16	5-7/16	1/2	15/16	45/64	3-3/4	1-27/32	1-7/8	1/2	1-1/32	2-29/32	5-13/16	9/16	3/16
	1-1/4	4.2																	
	30mm	2.0	38.9	165.1	44.1	119.1	138.1	M12	23.8	17.9	95.3	46.8	47.6	12.7	26.2	73.8	147.6	14.3	4.8
208	1-7/16	5.4	1-11/16	7-1/4	1-15/16	5-3/16	5-7/8	1/2	29/32	15/16	4-3/16	2-3/64	2-1/8	19/32	1-3/32	3-17/64	6-17/32	11/16	3/16
	35mm	2.3	42.9	184.2	49.2	131.8	149.2	M12	23.0	23.8	106.4	52.0	54.0	15.1	27.8	82.9	165.9	17.5	4.8
209	1-1/2	6.4	1-23/32	7-7/16	2	5-1/2	6-3/8	1/2	29/32	3/4	4-9/32	2-7/32	2-1/8	19/32	1-1/8	3-3/8	6-3/4	11/16	3/16
	1-5/8	6.3																	
40mm	2.7	43.7	188.9	50.8	139.7	161.9	M12	23.0	19.1	108.7	56.4	54.0	15.1	28.6	85.7	171.5	17.5	4.8	
210	1-11/16	7.4	1-3/4	8-1/8	2-1/4	6	6-11/16	5/8	1-1/16	3/4	4-17/32	2-7/16	2-1/4	19/32	1-5/32	3-11/16	7-3/8	13/16	3/16
	1-3/4	7.3																	
45mm	3.2	44.5	206.4	57.2	152.4	169.9	M16	22.0	19.1	115.1	61.9	57.2	15.1	29.4	93.7	187.3	20.6	4.8	
211	1-15/16	9.2	1-27/32	8-7/8	2-5/16	6-3/8	7-7/16	5/8	1-7/32	7/8	4-31/32	2-23/32	2-1/2	5/8	1-7/32	3-15/16	7-7/8	13/16	3/16
	2	9.0																	
	50mm	3.9	46.8	225.4	58.7	161.9	188.9	M16	31.0	22.2	126.2	69.1	63.5	15.9	31.0	100.0	200.0	20.6	4.8
212	2-3/16	11.0	1-63/64	9-1/2	2-3/8	6-7/8	7-15/16	5/8	1-7/32	7/8	5-13/32	2-31/32	2-3/4	43/64	1-5/16	4-1/4	8-1/2	7/8	3/16
	2-1/4	10.8																	
55mm	4.7	50.4	241.3	60.3	174.6	201.6	M16	31.0	22.2	137.3	75.4	69.9	17.1	33.3	108.0	215.9	22.2	4.8	
214	2-7/16	15.7	2-15/64	10-3/4	2-11/16	7-1/2	8-1/2	3/4	1-5/16	15/16	6-3/32	3-5/16	3	51/64	1-7/16	4-7/8	9-3/4	15/16	3/16
	2-1/2	15.5																	
65mm	6.7	56.8	273.1	68.3	190.5	215.9	M18	33.3	23.8	154.8	84.1	76.2	20.2	36.5	123.8	247.7	23.8	4.8	
215	2-11/16	21.0	2-9/32	11-3/4	2-7/8	8-1/2	9-1/2	7/8	1-7/16	1	6-3/4	3-5/8	3-1/2	13/16	1-15/32	5-31/64	10-31/32	1-3/64	3/16
	70mm	9.0	57.9	298.5	73.0	215.9	241.3	M22	36.5	25.4	171.5	92.1	88.9	20.6	37.3	139.3	278.6	26.6	4.8
216	2-15/16	21.3	2-11/32	11-3/4	3	8-1/2	9-1/2	7/8	1-7/16	1-1/4	6-31/32	3-53/64	3-1/2	27/32	1-1/2	5-1/2	11	1-3/32	3/16
	3	21.1																	
75mm	9.0	59.5	298.5	76.2	215.9	241.3	M22	36.5	31.8	177.0	97.2	88.9	21.4	38.1	139.7	279.4	27.8	4.8	
218	3-7/16	31.8	2-31/64	14	3-3/8	10-5/16	11-5/8	7/8	1-19/32	1-5/16	8	4-23/64	4	59/64	1-9/16	6-9/16	13-1/8	1-3/16	3/16
	3-1/2	31.3																	
	85mm	13.6	63.1	355.6	85.7	261.9	295.3	M22	40.5	33.3	203.2	110.7	101.6	23.4	39.7	166.7	333.4	30.2	4.8

FEATURES/BENEFITS PAGE B3-2	NOMENCLATURE PAGE B3-6	SELECTION PAGE B3-6	MODIFICATION/ACCESSORIES PAGE B3-132
--------------------------------	---------------------------	------------------------	---

SELECTION/DIMENSIONS



Setscrew Ball Bearings SCMAH AIR HANDLING MEDIUM DUTY PILLOW BLOCKS



Lube Fitting

203 series - 1/4-28 tapered thread
204 series and larger - 1/8-27 NPT

Series	Shaft Size	Part No.	Description
206	1	126110	P2B-SCMAH-100
	25mm	@	P2B-SCMAH-25M
207	1-3/16	126112	P2B-SCMAH-103
	1-1/4	123907	P2B-SCAH-104
	30mm	064756	P2B-SCMAH-30M
208	1-7/16	126835	P2B-SCMAH-107
	35mm	062304	P2B-SCMAH-35M
209	1-1/2	126836	P2B-SCMAH-108
	1-5/8	@	P2B-SCAH-110L
	40mm	064136	P2B-SCMAH-40M
210	1-11/16	126837	P2B-SCMAH-111
	1-3/4	126838	P2B-SCMAH-112
	45mm	062321	P2B-SCMAH-45M
211	1-15/16	126839	P2B-SCMAH-115
	2	126847	P2B-SCMAH-200
	50mm	056811	P2B-SCMAH-50M
212	2-3/16	126840	P2B-SCMAH-203
	2-1/4	@	P2B-SCMAH-204
	55mm	049816	P2B-SCMAH-55M
214	2-7/16	126841	P2B-SCMAH-207
	2-1/2	@	P2B-SCMAH-208
	65mm	@	P2B-SCMAH-65M
215	2-11/16	126842	P2B-SCMAH-211
	70mm	049818	P2B-SCMAH-70M
216	2-15/16	126843	P2B-SCMAH-215
	3	@	P2B-SCMAH-300
	75mm	053719	P2B-SCM-75M
218	3-7/16	126844	P2B-SCMAH-307
	3-1/2	@	P2B-SCMAH-308
	85mm	@	P2B-SCMAH-85M

@ Assembled to order.

FEATURES/BENEFITS PAGE B3-2	NOMENCLATURE PAGE B3-6	SELECTION PAGE B3-6	MODIFICATION/ACCESSORIES PAGE B3-132
--------------------------------	---------------------------	------------------------	---

SELECTION/DIMENSIONS



Setscrew Ball Bearings SCMAH AIR HANDLING MEDIUM DUTY PILLOW BLOCKS

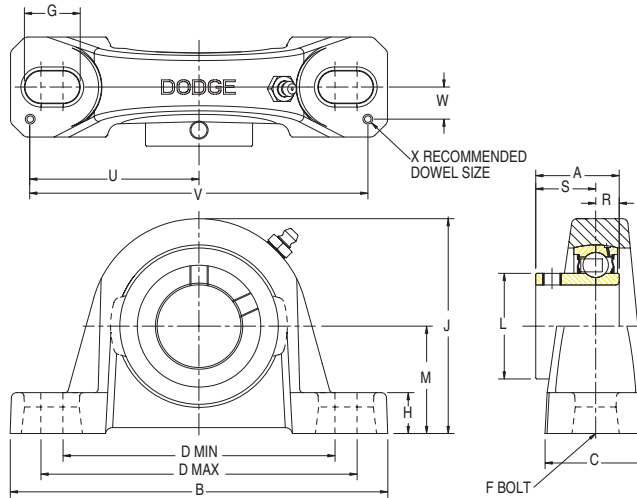
Series	Shaft Size	Weight lbs kgs.	A	B	C	D		F Bolt Dia.	G	H	J	L	M	R	S	U	V	W	X
						min.	max.												
206	1	3.0	1-25/64	6-1/4	1-47/64	4-1/4	5	1/2	15/16	3/4	3-5/16	1-37/64	1-11/16	31/64	29/32	2-7/8	5-3/4	9/16	3/16
	25mm	1.3	35.3	158.8	44.1	108.0	127.0	M12	23.8	19.1	84.1	40.1	42.9	12.3	23.0	73.0	146.1	14.3	4.8
207	1-3/16	4.6	1-17/32	6-1/2	1-47/64	4-11/16	5-7/16	1/2	15/16	45/64	3-3/4	1-27/32	1-7/8	1/2	1-1/32	2-29/32	5-13/16	9/16	3/16
	1-1/4 30mm	4.2 2.0	38.9	165.1	44.1	119.1	138.1	M12	23.8	18.3	95.3	46.8	47.6	12.7	26.2	73.8	147.6	14.3	4.8
208	1-7/16	5.4	1-11/16	7-1/4	1-15/16	5-3/16	5-7/8	1/2	29/32	15/16	4-3/16	2-3/64	2-1/8	19/32	1-3/32	3-17/64	6-17/32	11/16	3/16
	35mm	2.3	42.9	184.2	49.2	131.8	149.2	M12	23.0	23.8	106.4	52.0	54.0	15.1	27.8	82.9	165.9	17.5	4.8
209	1-1/2	6.4	1-23/32	7-7/16	2	5-1/2	6-3/8	1/2	29/32	3/4	4-9/32	2-7/32	2-1/8	19/32	1-1/8	3-3/8	6-3/4	11/16	3/16
	1-5/8 40mm	6.3 2.7	43.7	188.9	50.8	139.7	161.9	M12	23.0	19.1	108.7	56.4	54.0	15.1	28.6	85.7	171.5	17.5	4.8
210	1-11/16	7.4	1-3/4	8-1/8	2-1/4	6	6-11/16	5/8	1-1/16	3/4	4-17/32	2-7/16	2-1/4	19/32	1-5/32	3-11/16	7-3/8	13/16	3/16
	1-3/4 45mm	7.3 3.2	44.5	206.4	57.2	152.4	169.9	M16	22.0	19.1	115.1	61.9	57.2	15.1	29.4	93.7	187.3	20.6	4.8
211	1-15/16	9.2	1-27/32	8-7/8	2-5/16	6-3/8	7-7/16	5/8	1-7/32	7/8	4-31/32	2-23/32	2-1/2	5/8	1-7/32	3-15/16	7-7/8	13/16	3/16
	2 50mm	9.0 3.9	44.5	225.4	58.7	161.9	188.9	M16	31.0	22.2	126.2	69.1	63.5	15.9	31.0	100.0	200.0	20.6	4.8
212	2-3/16	11.0	1-63/64	9-1/2	2-3/8	6-7/8	7-15/16	5/8	1-7/32	7/8	5-13/32	2-31/32	2-3/4	43/64	1-5/16	4-1/4	8-1/2	7/8	3/16
	2-1/4 55mm	10.8 4.7	50.4	241.3	60.3	174.6	201.6	M16	31.0	22.2	137.3	75.4	69.9	17.1	33.3	108.0	215.9	22.2	4.8
214	2-7/16	15.7	2-15/64	10-3/4	2-11/16	7-1/2	8-1/2	3/4	1-5/16	15/16	6-3/32	3-5/16	3	51/64	1-7/16	4-7/8	9-3/4	15/16	3/16
	2-1/2 65mm	15.5 6.7	56.8	273.1	68.3	190.5	215.9	M18	33.3	23.8	154.8	84.1	76.2	20.2	36.5	123.8	247.7	23.8	4.8
215	2-11/16	21.0	2-9/32	11-3/4	2-7/8	8-1/2	9-1/2	7/8	1-7/16	1	6-3/4	3-5/8	3-1/2	13/16	1-15/32	5-31/64	10-31/32	1-3/64	3/16
	70mm	9.0	57.9	298.5	73.0	215.9	241.3	M22	36.5	25.4	171.5	92.1	88.9	20.6	37.3	139.3	278.6	26.6	4.8
216	2-15/16	21.3	2-11/32	11-3/4	3	8-1/2	9-1/2	7/8	1-7/16	1-1/4	6-31/32	3-53/64	3-1/2	27/32	1-1/2	5-1/2	11	1-3/32	3/16
	3 75mm	21.1 9.1	59.5	298.5	76.2	215.9	241.3	M22	36.5	31.8	177.0	97.2	88.9	21.4	38.1	139.7	279.4	27.8	4.8
218	3-7/16	31.8	2-31/64	14	3-3/8	10-5/16	11-5/8	7/8	1-19/32	1-5/16	8	4-23/64	4	59/64	1-9/16	6-9/16	13-1/8	1-3/16	3/16
	3-1/2 85mm	31.3 13.6	63.1	355.6	85.7	261.9	295.3	M22	40.5	33.3	203.2	110.7	101.6	23.4	39.7	166.7	333.4	30.2	4.8

FEATURES/BENEFITS PAGE B3-2	NOMENCLATURE PAGE B3-6	SELECTION PAGE B3-6	MODIFICATION/ACCESSORIES PAGE B3-132
--------------------------------	---------------------------	------------------------	---

SELECTION/DIMENSIONS



Setscrew Ball Bearings VSC AND VSCU INTERMEDIATE DUTY PILLOW BLOCKS



Lube Fitting

203 series - 1/4-28 tapered thread
204 series and larger - 1/8-27 NPT

Series	Shaft Size	Standard		No-Lube/Sealed for Life (-NL)	
		Part No.	Description	Part No.	Description
203	1/2	125500	P2B-VSC-008	049887	P2B-VSC-008-NL
	5/8	125501	P2B-VSC-010	@	P2B-VSC-010-NL
	17mm	@	P2B-VSC-17M	@	P2B-VSC-17M-NL
203 (VSCU)	1/2	125513	P2B-VSCU-008	@	P2B-VSCU-008-NL
	5/8	125514	P2B-VSCU-010	@	P2B-VSCU-010-NL
	17mm	125685	P2B-VSCU-17M	@	P2B-VSCU-17M-NL
204	3/4	123580	P2B-VSC-012	054495	P2B-VSC-012-NL
	20mm	125686	P2B-VSC-20M	@	P2B-VSC-20M-NL
205	7/8	125502	P2B-VSC-014	@	P2B-VSC-014-NL
	15/16	125503	P2B-VSC-015	@	P2B-VSC-015-NL
	1	123581	P2B-VSC-100	123590	P2B-VSC-100-NL
	25mm	125687	P2B-VSC-25M	@	P2B-VSC-25M-NL
206	1-1/8	125504	P2B-VSC-102	@	P2B-VSC-102-NL
	1-3/16	123582	P2B-VSC-103	064691	P2B-VSC-103-NL
	1-1/4	123589	P2B-VSC-104S	@	P2B-VSC-104S-NL
206 (VSCU)	30mm	125751	P2B-VSC-30M	@	P2B-VSC-30M-NL
	1-1/8	125515	P2B-VSCU-102	@	P2B-VSCU-102-NL
	1-3/16	123604	P2B-VSCU-103	050854	P2B-VSCU-103-NL
	1-1/4	123606	P2B-VSCU-104S	@	P2B-VSCU-104S-NL
30mm	125688	P2B-VSCU-30M	@	P2B-VSCU-30M-NL	

@Assembled to order

FEATURES/BENEFITS PAGE B3-2	NOMENCLATURE PAGE B3-6	SELECTION PAGE B3-6	MODIFICATION/ACCESSORIES PAGE B3-132
--------------------------------	---------------------------	------------------------	---

SELECTION/DIMENSIONS



Setscrew Ball Bearings VSC AND VSCU INTERMEDIATE DUTY PILLOW BLOCKS

Bearing Quick Reference

E-Z KLEEN

GRIP TIGHT Adapter Ball Bearing

Setscrew Ball Bearing

Eccentric Collar Ball Bearing

Series	Shaft Size	Weight lbs. kg.	A	B	C	D		F Bolt Dia.	G	H	J	L	M	R	S	U	V	W	X
						Min.	Max.												
203	1/2	1.1	15/16	5	1-13/64	3-1/4	4-1/16	3/8	27/32	15/32	2-9/64	31/32	1-1/16	19/64	41/64	2-1/4	4-1/2	3/8	1/8
	5/8	1.0																	
	17mm	0.5	23.8	127.0	30.6	82.6	103.2	M10	21.4	11.9	54.4	24.6	27.0	7.5	16.3	57.2	114.3	9.5	3.2
203 (VSCU)	1/2	1.2	15/16	5	1-13/64	3-1/4	4-1/16	3/8	27/32	19/32	2-17/64	31/32	1-3/16	19/64	41/64	2-1/4	4-1/2	3/8	1/8
	5/8	1.1																	
	17mm	0.6	23.8	127.0	30.6	82.6	103.2	M10	21.4	15.1	57.5	24.6	30.2	7.5	16.3	57.2	114.3	9.5	3.2
204	3/4	1.4	1-1/16	5-1/4	1-21/64	3-3/8	4-3/16	3/8	27/32	17/32	2-9/16	1-7/64	1-5/16	21/64	47/64	2-1/4	4-1/2	1/2	1/8
	20mm	0.6	27.0	133.4	33.7	85.7	106.4	M10	21.4	13.5	65.1	28.2	33.3	8.3	18.7	57.2	114.3	12.7	3.2
205	7/8	1.8	1-3/32	5-1/2	1-13/32	3-11/16	4-1/2	3/8	27/32	37/64	2-25/32	1-21/64	1-7/16	21/64	49/64	2-1/2	5	1/2	3/16
	15/16	1.7																	
	1	1.6																	
205	25mm	0.8	27.8	139.7	35.7	93.7	114.3	M10	21.4	14.7	70.6	33.7	36.5	8.3	19.4	63.5	127.0	12.7	4.8
	1-1/8	2.7	1-19/64	6-1/4	1-47/64	4-1/4	5	1/2	15/16	11/16	3-1/4	1-37/64	1-5/8	25/64	29/32	2-7/8	5-3/4	9/16	3/16
	1-3/16	2.6																	
206	1-1/4	2.5																	
	30mm	1.2	32.9	158.8	44.1	108.0	127.0	M12	23.8	17.5	82.6	40.1	41.3	9.9	23.0	73.0	146.1	14.3	4.8
206 (VSCU)	1-1/8	2.8	1-19/64	6-1/4	1-47/64	4-1/4	5	1/2	15/16	3/4	3-5/16	1-37/64	1-11/16	25/64	29/32	2-7/8	5-3/4	9/16	3/16
	1-3/16	2.7																	
	1-1/4	2.6																	
206 (VSCU)	30mm	1.3	32.9	158.8	44.1	108.0	127.0	M12	23.8	19.1	84.1	40.1	42.9	9.9	23.0	73.0	146.1	14.3	4.8

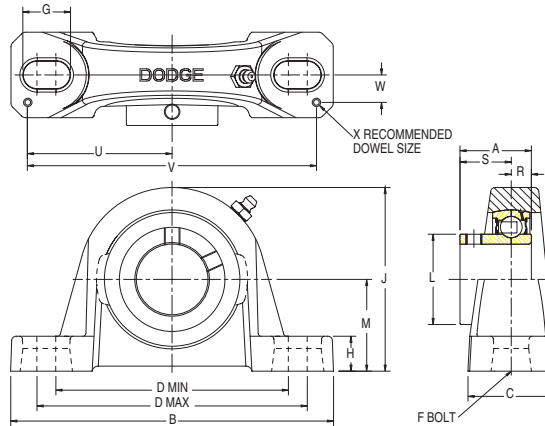
FEATURES/BENEFITS PAGE B3-2	NOMENCLATURE PAGE B3-6	SELECTION PAGE B3-6	MODIFICATION/ACCESSORIES PAGE B3-132
--------------------------------	---------------------------	------------------------	---

SELECTION/DIMENSIONS



Setscrew Ball Bearings VSC AND VSCU INTERMEDIATE DUTY PILLOW BLOCKS

Lube Fitting
203 series - 1/4-28 tapered thread
204 series and larger - 1/8-27 NPT



Series	Shaft Size	Standard		No-Lube/Sealed for Life (-NL)	
		Part No.	Description	Part No.	Description
207	1-1/4	123583	P2B-VSC-104	051889	P2B-VSC-104-NL
	1-3/8	125505	P2B-VSC-106	@	P2B-VSC-106-NL
	1-7/16	123584	P2B-VSC-107	050838	P2B-VSC-107-NL
	35mm	125689	P2B-VSC-35M	@	P2B-VSC-35M-NL
208	1-1/2	123585	P2B-VSC-108	051890	P2B-VSC-108-NL
	40mm	@	P2B-VSC-40M	@	P2B-VSC-40M-NL
209	1-11/16	125506	P2B-VSC-111	@	P2B-VSC-111-NL
	1-3/4	124933	P2B-VSC-112	@	P2B-VSC-112-NL
	45mm	125691	P2B-VSC-45M	@	P2B-VSC-45M-NL
210	1-15/16	123586	P2B-VSC-115	053662	P2B-VSC-115-NL
	2	123587	P2B-VSC-200	@	P2B-VSC-200-NL
	50mm	125692	P2B-VSC-50M	@	P2B-VSC-50M-NL
211	2	123593	P2B-VSC-200L	049784	P2B-VSC-200L-NL
	2-3/16	123588	P2B-VSC-203	@	P2B-VSC-203-NL
	55mm	125693	P2B-VSC-55M	@	P2B-VSC-55M-NL

@Assembled to order

FEATURES/BENEFITS PAGE B3-2	NOMENCLATURE PAGE B3-6	SELECTION PAGE B3-6	MODIFICATION/ACCESSORIES PAGE B3-132
--------------------------------	---------------------------	------------------------	---

SELECTION/DIMENSIONS



Setscrew Ball Bearings VSC AND VSCU INTERMEDIATE DUTY PILLOW BLOCKS

Bearing Quick Reference

E-Z KLEEN

GRIP TIGHT Adapter Ball Bearing

Setscrew Ball Bearing

Eccentric Collar Ball Bearing

Series	Shaft Size	Weight lbs. kg.	A	B	C	D		F Bolt Dia.	G	H	J	L	M	R	S	U	V	W	X	
						Min.	Max.													
207	1-1/4	4.5	1-7/16	6-1/2	1-47/64	4-11/16	5-7/16	1/2	15/16	45/64	3-3/4	1-27/32	1-7/8	13/32	1-1/32	2-29/32	5-13/16	9/16	3/16	
	1-3/8	4.3																		
	1-7/16	4.2																		
	35mm	2.0	36.5	165.1	44.1	119.1	138.1	M12	23.8	17.9	95.3	46.8	47.6	10.3	26.2	73.8	147.6	14.3	4.8	
208	1-1/2	5.4	1-9/16	7-1/4	1-15/16	5-3/16	5-7/8	1/2	29/32	15/16	4-3/16	2-3/64	2-1/8	15/32	1-3/32	3-17/64	6-17/32	11/16	3/16	
	40mm	2.5	39.7	184.2	49.2	131.8	149.2	M12	23.0	23.8	106.4	52.0	54.0	11.9	27.8	82.9	165.9	17.5	4.8	
209	1-11/16	6.4	1-19/32	7-7/16	2	5-1/2	6-3/16	1/2	29/32	3/4	4-9/32	2-7/32	2-1/8	15/32	1-1/8	3-3/8	6-3/4	11/16	3/16	
	1-3/4	6.2																		
	45mm	3.0	40.5	188.9	50.8	139.7	161.9	M12	23.0	19.1	108.7	56.4	54.0	11.9	28.6	85.7	171.5	17.5	4.8	
210	1-15/16	7.2	1-5/8	8-1/8	2-1/4	6	6-11/16	5/8	1-1/16	3/4	4-17/32	2-7/16	2-1/4	15/32	1-5/32	3-11/16	7-3/8	13/16	3/16	
	2	7.0																		
	50mm	3.3	41.3	206.4	57.2	152.4	169.9	M16	27.0	19.1	115.1	61.9	57.2	11.9	29.4	93.7	187.3	20.6	4.8	
211	2	9.0	1-23/32	8-7/8	2-5/16	6-3/8	7-7/16	5/8	1-7/32	7/8	4-31/32	2-23/32	2-1/2	1/2	1-7/32	3-15/16	7-7/8	13/16	3/16	
	2-3/16	8.9																		
	55mm	4.2	43.7	225.4	58.7	161.9	188.9	M16	31.0	22.2	126.2	69.1	63.5	12.7	31.0	100.0	200.0	20.6	4.8	

FEATURES/BENEFITS PAGE B3-2	NOMENCLATURE PAGE B3-6	SELECTION PAGE B3-6	MODIFICATION/ACCESSORIES PAGE B3-132
--------------------------------	---------------------------	------------------------	---

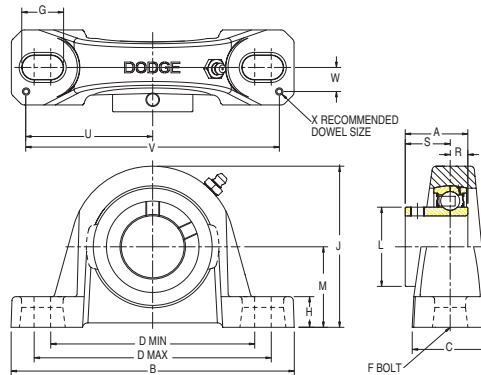
SELECTION/DIMENSIONS



Setscrew Ball Bearings VSCB INTERMEDIATE DUTY PILLOW BLOCKS

Lube Fitting

203 series - 1/4-28 tapered thread
204 series and larger - 1/8-27 NPT



Series	Shaft Size	Standard		No-Lube/Sealed for Life (-NL)	
		Part No.	Description	Part No.	Description
203 (VSC)	1/2	125500	P2B-VSC-008	@	P2B-VSC-008-NL
	5/8	125501	P2B-VSC-010	@	P2B-VSC-010-NL
	17mm	@	P2B-VSC-17M	@	P2B-VSC-17M-NL
204	3/4	123595	P2B-VSCB-012	050833	P2B-VSCB-012-NL
	20mm	@	P2B-VSCB-20M	@	P2B-VSCB-20M-NL
205	7/8	125508	P2B-VSCB-014	@	P2B-VSCB-014-NL
	15/16	125509	P2B-VSCB-015	@	P2B-VSCB-015-NL
	1 25mm	123596	P2B-VSCB-100 P2B-VSCB-25M	050828 @	P2B-VSCB-100-NL P2B-VSCB-25M-NL
206	1-1/8	125510	P2B-VSCB-102	@	P2B-VSCB-102-NL
	1-3/16	123597	P2B-VSCB-103	050829	P2B-VSCB-103-NL
	1-1/4 30mm	123605	P2B-VSCB-104S P2B-VSCB-30M	@ @	P2B-VSCB-104S-NL P2B-VSCB-30M-NL
207	1-1/4	123598	P2B-VSCB-104	@	P2B-VSCB-104-NL
	1-3/8	125511	P2B-VSCB-106	@	P2B-VSCB-106-NL
	1-7/16 35mm	123599	P2B-VSCB-107 P2B-VSCB-35M	050830 @	P2B-VSCB-107-NL P2B-VSCB-35M-NL
208	1-1/2	123600	P2B-VSCB-108	@	P2B-VSCB-108-NL
	40mm	125690	P2B-VSCB-40M	@	P2B-VSCB-40M-NL
209	1-11/16	125512	P2B-VSCB-111	050848	P2B-VSCB-111-NL
	1-3/4	125507	P2B-VSCB-112	@	P2B-VSCB-112-NL
	45mm	@	P2B-VSCB-45M	@	P2B-VSCB-45M-NL
210	1-15/16	123601	P2B-VSCB-115	@	P2B-VSCB-115-NL
	2	123602	P2B-VSCB-200	@	P2B-VSCB-200-NL
	50mm	@	P2B-VSCB-50M	@	P2B-VSCB-50M-NL
211	2	123607	P2B-VSCB-200L	@	P2B-VSCB-200L-NL
	2-3/16	123603	P2B-VSCB-203	050831	P2B-VSCB-203-NL
	55mm	@	P2B-VSCB-55M	@	P2B-VSCB-55M-NL

@ Assembled to order

FEATURES/BENEFITS
PAGE B3-2

NOMENCLATURE
PAGE B3-6

SELECTION
PAGE B3-6

MODIFICATION/ACCESSORIES
PAGE B3-132

SELECTION/DIMENSIONS



Setscrew Ball Bearings VCSB INTERMEDIATE DUTY PILLOW BLOCKS

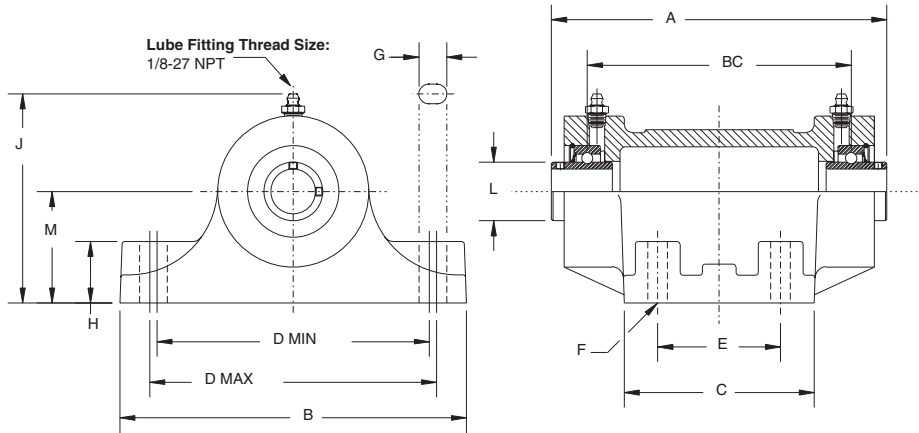
Series	Shaft Size	Weight lbs. kg.	A	B	C	D		F Bolt Dia.	G	H	J	L	M	R	S	U	V	W	X
						Min.	Max.												
203 (VSC)	1/2	1.1	15/16	5	1-13/64	3-1/4	4-1/16	3/8	27/32	15/32	2-17/64	31/32	1-1/16	19/64	41/64	2-1/4	4-1/2	3/8	1/8
	5/8	1.0																	
	17mm	0.5	23.8	127.0	30.6	82.6	103.2	M10	21.4	11.9	54.4	24.6	27.0	7.5	16.3	57.2	114.3	9.5	3.2
204	3/4	1.4	1-1/16	5-1/4	1-21/64	3-3/8	4-3/16	3/8	27/32	29/64	2-1/2	1-1/8	1-1/4	21/64	47/64	2-1/4	4-1/2	1/2	1/8
	20mm	0.6	27.0	133.4	33.7	85.7	106.4	M10	21.4	11.5	63.5	28.6	31.8	8.3	18.7	57.2	114.3	12.7	3.2
	7/8	1.8	1-3/32	5-1/2	1-13/32	3-11/16	4-1/2	3/8	27/32	29/64	2-21/32	1-5/16	1-5/16	21/64	49/64	2-1/2	5	1/2	3/16
205	15/16	1.7																	
	1	1.6																	
	25mm	0.8	27.8	139.7	35.7	93.7	114.3	M10	21.4	11.5	67.5	33.3	33.3	8.3	19.4	63.5	127.0	12.7	4.8
206	1-1/8	2.7	1-19/64	6-1/4	1-47/64	4-1/4	5	1/2	15/16	5/8	3-3/16	1-37/64	1-9/16	25/64	29/32	2-7/8	5-3/4	9/16	3/16
	1-3/16	2.6																	
	30mm	1.2	32.9	158.8	44.1	108.0	127.0	M12	23.8	15.9	81.0	40.1	39.87	9.9	23.0	73.0	146.1	14.3	4.8
207	1-1/4	4.5	1-7/16	6-1/2	1-47/64	4-11/16	5-7/16	1/2	15/16	41/64	3-11/16	1-27/32	1-13/16	13/32	1-1/32	2-29/32	5-13/16	9/16	3/16
	1-3/8	4.3																	
	35mm	2.0	36.5	165.1	44.1	119.1	138.1	M12	23.8	16.3	93.7	46.8	46.0	10.3	26.2	73.8	147.6	14.3	4.8
208	1-1/2	5.4	1-9/16	7-1/4	1-15/16	5-3/16	5-7/8	1/2	29/32	3/4	4	2-3/64	1-15/16	15/32	1-3/32	3-17/64	6-17/32	11/16	3/16
	40mm	2.5	39.7	184.2	49.2	131.8	149.2	M12	23.0	19.1	101.6	52.0	49.2	11.9	27.8	82.9	165.9	17.5	4.8
	1-11/16	6.4	1-19/32	7-7/16	2	5-1/2	6-3/16	1/2	29/32	11/16	4-7/32	2-7/32	2-1/16	15/32	1-1/8	3-3/8	6-3/4	11/16	3/16
209	1-3/4	6.2																	
	45mm	3.0	40.5	188.9	50.8	139.7	161.9	M12	23.0	17.5	107.2	56.4	52.4	11.9	28.6	85.7	187.5	17.5	4.8
	1-15/16	7.2	1-5/8	8-1/8	2-1/4	6	6-11/16	5/8	1-1/64	11/16	4-15/32	2-7/16	2-3/16	15/32	1-5/32	3-11/16	7-3/8	13/16	3/16
210	2	7.0																	
	50mm	3.3	41.3	206.4	57.2	152.4	169.9	M16	25.8	17.5	113.5	61.9	55.6	11.9	29.4	93.7	187.3	20.6	4.8
	2	9.0	1-23/32	8-7/8	2-5/16	6-3/8	7-7/16	5/8	1-7/32	13/16	4-29/32	2-23/32	2-7/16	1/2	1-7/32	3-15/16	7-7/8	13/16	3/16
211	2-3/16	8.9																	
	55mm	4.2	43.7	225.4	58.7	161.9	188.9	M16	31.0	20.6	124.6	69.1	61.9	12.7	31.0	100.0	200.0	20.6	4.8

FEATURES/BENEFITS PAGE B3-2	NOMENCLATURE PAGE B3-6	SELECTION PAGE B3-6	MODIFICATION/ACCESSORIES PAGE B3-132
--------------------------------	---------------------------	------------------------	---

SELECTION/DIMENSIONS



Setscrew Ball Bearings CC BALL BEARING FAN AND BLOWER PILLOW BLOCKS



Series	Shaft Size	Part No.	Description
205	15/16	134131	F&B-CC-015
	1	134132	F&B-CC-100
206	1-1/8	134134	F&B-CC-102
	1-3/16	134135	F&B-CC-103
207	1-1/4	134136	F&B-CC-104
	1-3/8	134138	F&B-CC-106
	1-7/16	134139	F&B-CC-107
209	1-11/16	134140	F&B-CC-111
	1-3/4	134141	F&B-CC-112
210	1-15/16	134142	F&B-CC-115
211	2-3/16	134144	F&B-CC-203

FEATURES/BENEFITS PAGE B3-2	NOMENCLATURE PAGE B3-6	SELECTION PAGE B3-6	MODIFICATION/ACCESSORIES PAGE B3-132
--------------------------------	---------------------------	------------------------	---

SELECTION/DIMENSIONS



Setscrew Ball Bearings CC BALL BEARING FAN AND BLOWER PILLOW BLOCKS

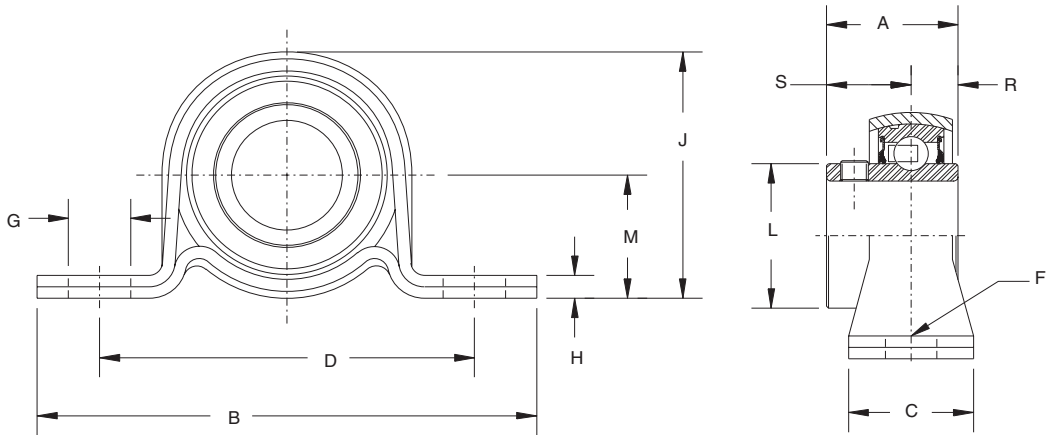
Series	Shaft Size	Weight lbs.	A	B	C	D		E	F Bolt Dia.	G	H	J	L	M	Bearing Centers BC
						Min.	Max.								
205	15/16	16.1	7-1/2	7-3/4	4-1/4	6-1/16	6-7/16	2-3/4	3/8	5/8	1-1/4	4-5/8	1-5/16	2-1/2	5-29/32
	1	16.0													
206	1-1/8	16.3	7-25/32	7-3/4	4-1/4	6-1/16	6-7/16	2-3/4	3/8	5/8	1-1/4	4-5/8	1-19/32	2-1/2	5-61/64
	1-3/16	16.2													
207	1-1/4	36.6	10-39/64	10	5-1/2	7-3/4	8-1/4	3-1/2	1/2	7/8	1-9/16	5-9/16	1-27/32	3	8-15/32
	1-3/8	36.2													
	1-7/16	36.0													
209	1-11/16	35.0	10-21/32	10	5-1/2	7-3/4	8-1/4	3-1/2	1/2	7/8	1-9/16	5-9/16	2-9/32	3	8-5/16
	1-3/4	34.8													
210	1-15/16	60.0	13-25/32	12	7	9-1/8	9-7/8	4-1/2	5/8	1-1/8	1-3/4	6-7/16	2-15/32	3-1/2	11-3/8
211	2-3/16	56.0	14-5/32	12	7	9-1/8	9-7/8	4-1/2	5/8	1-1/8	1-3/4	6-7/16	2-3/4	3-1/2	11-3/8

FEATURES/BENEFITS PAGE B3-2	NOMENCLATURE PAGE B3-6	SELECTION PAGE B3-6	MODIFICATION/ACCESSORIES PAGE B3-132
--------------------------------	---------------------------	------------------------	---

SELECTION/DIMENSIONS

DODGE®


Setscrew Ball Bearings SL LIGHT DUTY PILLOW BLOCKS



Series	Shaft Size	Part No.	Description
203	1/2	059637	P2B-SL-008
	5/8	128197	P2B-SL-010
	17mm	@	P2BSL-17M
204	3/4	128106	P2B-SL-012
	20mm	@	P2B-SL-20M
205	7/8	128170	P2B-SL-014
	15/16	128171	P2B-SL-015
	1	128107	P2B-SL-100
	25mm	@	P2B-SL-25M
206	1-1/8	128172	P2B-SL-102
	1-3/16	128108	P2B-SL-103
	1-1/4	128111	P2B-SL-104S
	30mm	@	P2B-SL-30M
207	1-1/4	128109	P2B-SL-104
	1-3/8	128173	P2B-SL-106
	1-7/16	128110	P2B-SL-107
	35mm	@	P2B-SL-35M

@ Assembled to order

SELECTION/DIMENSIONS



Setscrew Ball Bearings SL LIGHT DUTY PILLOW BLOCKS

Bearing Quick Reference

E-Z KLEEN

GRIP TIGHT Adapter Ball Bearing

Setscrew Ball Bearing

Eccentric Collar Ball Bearing

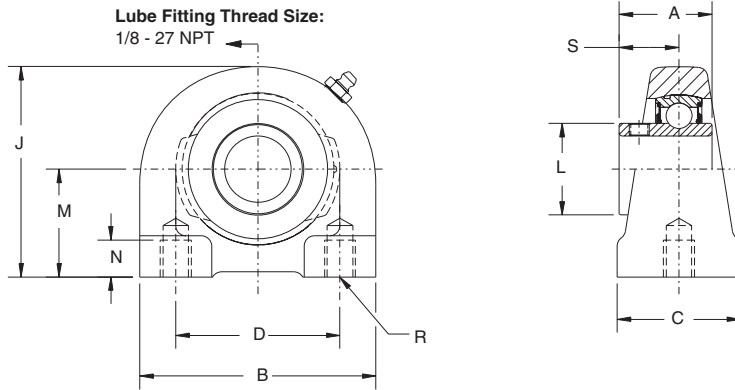
Series	Shaft Size	Weight lb. ks.	A	B	C	D	F Bolt Dia	G	H	J	L	M	R	S	Housing Radial Load Rating (lbs)
203	1/2	0.51	15/16	3-5/8	1	2-11/16	1/4	11/32	0.133	1-11/16	31/32	27/32	19/64	41/64	250
	5/8	0.49													
	17mm	0.2	23.8	92.1	25.4	68.3	M6	8.7	3.4	42.9	24.6	21.4	7.5	16.3	1,112
204	3/4	0.61	1-1/16	4-1/8	1	3	3/8	1/2	0.178	2-1/16	1-1/8	1	21/64	47/64	350
	20mm	0.3	27.0	104.8	25.4	76.2	M10	12.7	4.5	52.4	28.6	25.4	8.3	18.7	1,556
205	7/8	0.79	1-3/32	4-1/2	1-1/8	3-3/8	3/8	9/16	0.208	2-7/32	1-21/64	1-1/8	21/64	49/64	400
	15/16	0.76													
	1	0.73													
206	25mm	0.4	27.8	114.3	28.6	85.7	M10	14.3	5.3	56.4	33.7	28.6	8.3	19.4	1,779
	1-1/8	1.14	1-19/64	4-7/8	1-1/8	3-3/4	3/8	9/16	0.238	2-5/8	1-37/64	1-5/16	25/64	29/32	600
	1-3/16	1.12													
207	1-1/4	1.54	1-7/16	5-3/4	1-1/4	4-1/4	1/2	3/4	0.238	3-1/8	1-27/32	1-9/16	13/32	1-1/32	800
	1-3/8	1.50													
	1-7/16	1.48													
	30mm	0.5	32.9	123.8	28.6	95.3	M10	14.3	6.0	66.7	40.1	33.3	9.9	23.0	2,668
	35mm	0.7	36.5	146.1	31.8	108.0	M12	19.1	6.0	79.4	46.8	39.7	10.3	26.2	3,557

FEATURES/BENEFITS PAGE B3-2	NOMENCLATURE PAGE B3-6	SELECTION PAGE B3-6	MODIFICATION/ACCESSORIES PAGE B3-132
--------------------------------	---------------------------	------------------------	---

SELECTION/DIMENSIONS



Setscrew Ball Bearings SC NORMAL DUTY TAPPED BASE PILLOW BLOCKS



Series	Shaft Size	Part No.	Description
204	1/2	124460	TB-SC-008
	5/8	124461	TB-SC-010
	3/4	124462	TB-SC-012
	20mm	130354	<i>TB-SC-20M</i>
205	7/8	124463	TB-SC-014
	15/16	124464	TB-SC-015
	1	124465	TB-SC-100
	25mm	130355	<i>TB-SC-25M</i>
206	1-1/16	124466	TB-SC-101
	1-1/8	124467	TB-SC-102
	1-3/16	124468	TB-SC-103
	1-1/4	124469	TB-SC-104S
	30mm	130356	<i>TB-SC-30M</i>
207	1-1/4	124470	TB-SC-104
	1-5/16	124471	TB-SC-105
	1-3/8	124472	TB-SC-106
	1-7/16	124473	TB-SC-107
	35mm	130357	<i>TB-SC-35M</i>
208	1-1/2	124479	TB-SC-108
	1-5/8	128998	TB-SC-110
	40mm	130358	<i>TB-SC-40M</i>
209	1-5/8	049859	TB-SC-110L
	1-11/16	054548	TB-SC-111
	1-3/4	054781	TB-SC-112
	45mm	130359	<i>TB-SC-45M</i>
210	1-15/16	124478	TB-SC-115
	2	052472	TB-SC-200
	50mm	130360	<i>TB-SC-50M</i>
211	2	124480	TB-SC-200L
	2-3/16	050386	TB-SC-203
	2-1/4	054436	TB-SC-204
	55mm	130361	<i>TB-SC-55M</i>

FEATURES/BENEFITS PAGE B3-2	NOMENCLATURE PAGE B3-6	SELECTION PAGE B3-6	MODIFICATION/ACCESSORIES PAGE B3-132
--------------------------------	---------------------------	------------------------	---

SELECTION/DIMENSIONS



Setscrew Ball Bearings SC NORMAL DUTY TAPPED BASE PILLOW BLOCKS

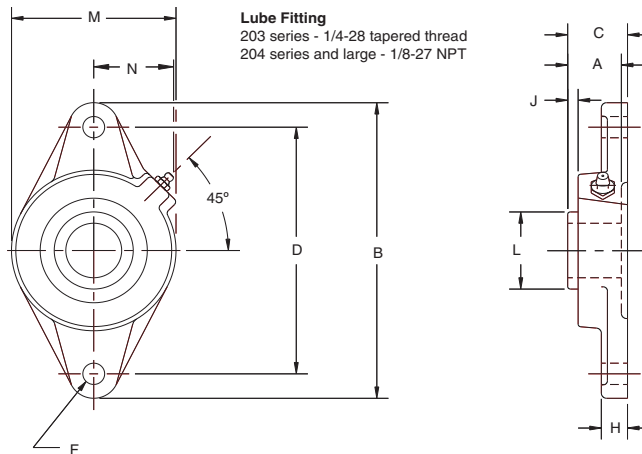
Series	Shaft Size	Weight lbs. kgs.	A	B	C	D	J	L	M	N	R	S
204	1/2	1.56	1-5/32	2-7/8	1-1/2	2	2-9/16	1-1/8	1-5/16	1/2	3/8- 16	47/64
	5/8	1.53										
	3/4	1.50										
	20mm	0.06	29.4	73.0	38.1	50.8	65.1	28.6	33.3	12.7	M8x1.25	18.7
205	7/8	1.93	1-3/16	3	1-1/2	2.0	2-13/16	1-21/64	1-7/16	1/2	3/8- 16	49/64
	15/16	1.90										
	1	1.87										
	25mm	0.07	30.2	76.2	38.1	50.8	71.4	33.7	36.5	12.7	M10x1.5	19.4
206	1-1/16	2.66	1-25/64	4	1-1/2	3.0	3-3/8	1-37/64	1-11/16	5/8	7/16 - 14	29/32
	1-1/8	2.62										
	1-3/16	2.59										
	1-1/4	2.56										
	30mm	0.10	35.3	101.6	38.1	76.2	85.7	40.1	42.9	15.9	M10x1.5	23.0
207	1-1/4	3.41	1-17/32	4-1/4	1-7/8	3-1/4	3-3/4	1-27/32	1-7/8	3/4	1/2 - 13	1-1/32
	1-5/16	3.36										
	1-3/8	3.34										
	1-7/16	3.25										
35mm	0.13	38.9	108.0	47.6	82.6	95.3	46.8	47.6	19.1	M10x1.5	26.2	
208	1-1/2	4.10	1-11/16	4-5/8	1-7/8	3-1/2	3-15/16	2-3/64	1-15/16	3/4	1/2-13	1-3/32
	1-5/8	4.00										
	40mm	0.16	42.9	117.5	47.6	88.9	100.0	52.0	49.2	19.1	M12x1.75	27.8
209	1-5/8	5.20	1-23/32	5	2	3-3/4	4-1/4	2-7/32	2-1/8	3/4	1/2-13	1-1/8
	1-11/16	5.00										
	1-3/4	4.90										
	45mm	0.20	43.7	127.0	50.8	95.3	108.0	56.4	54.0	19.1	M12x1.75	28.6
210	1-15/16	5.40	1-3/4	5-1/2	2	4	4-5/8	2-7/16	2-1/4	7/8	5/8-11	1-5/32
	2	5.20										
	50mm	0.21	44.5	139.7	50.8	101.6	117.5	61.9	57.2	22.2	M16x2	29.4
211	2	6.70	1-27/32	5-1/2	2	4	4-5/8	2-23/32	2-1/4	7/8	5/8 - 11	1-7/32
	2-3/16	6.50										
	2-1/4	6.30										
	55mm	0.25	46.8	139.7	50.8	101.6	117.5	69.1	57.2	22.2	M16x2	31.0

FEATURES/BENEFITS PAGE B3-2	NOMENCLATURE PAGE B3-6	SELECTION PAGE B3-6	MODIFICATION/ACCESSORIES PAGE B3-132
--------------------------------	---------------------------	------------------------	---

SELECTION/DIMENSIONS



Setscrew Ball Bearings SC NORMAL DUTY 2-BOLT FLANGE BEARINGS



Series	Shaft Size	Standard		No-Lube/Sealed for Life (-NL)		With Flingers	
		Part No.	Description	Part No.	Description	Part No.	Description
203	1/2	124198	F2B-SC-008	@	F2B-SC-008-NL	@	F2B-SC-008-FF
	5/8	124199	F2B-SC-010	124256	F2B-SC-010-NL	@	F2B-SC-010-FF
	17mm	125875	F2B-SC-17M	@	F2B-SC-17M-NL	@	F2B-SC-17M-FF
204	1/2	124166	F2B-SC-008L	052220	F2B-SC-008L-NL	@	F2B-SC-008L-FF
	5/8	124167	F2B-SC-010L	124176	F2B-SC-010L-NL	@	F2B-SC-010L-FF
	3/4	124170	F2B-SC-012	124175	F2B-SC-012-NL	057279	F2B-SC-012-FF
	20mm	125876	F2B-SC-20M	050119	F2B-SC-20M-NL	@	F2B-SC-20M-FF
205	7/8	124171	F2B-SC-014	126516	F2B-SC-014-NL	052542	F2B-SC-014-FF
	15/16	124172	F2B-SC-015	@	F2B-SC-015-NL	054731	F2B-SC-015-FF
	1	124173	F2B-SC-100	124174	F2B-SC-100-NL	124391	F2B-SC-100-FF
	25mm	125877	F2B-SC-25M	124785	F2B-SC-25M-NL	@	F2B-SC-25M-FF
206	1-1/16	124410	F2B-SC-101	@	F2B-SC-101-NL	@	F2B-SC-101-FF
	1-1/8	124274	F2B-SC-102	@	F2B-SC-102-NL	050554	F2B-SC-102-FF
	1-3/16	124275	F2B-SC-103	124614	F2B-SC-103-NL	@	F2B-SC-103-FF
	1-1/4	123172	F2B-SC-104S	@	F2B-SC-104S-NL	051968	F2B-SC-104S-FF
	30mm	125878	F2B-SC-30M	126102	F2B-SC-30M-NL	@	F2B-SC-30M-FF
207	1-1/4	124276	F2B-SC-104	126518	F2B-SC-104-NL	052664	F2B-SC-104-FF
	1-5/16	124411	F2B-SC-105	@	F2B-SC-105-NL	@	F2B-SC-105-FF
	1-3/8	124277	F2B-SC-106	126519	F2B-SC-106-NL	@	F2B-SC-106-FF
	1-7/16	124278	F2B-SC-107	124618	F2B-SC-107-NL	124456	F2B-SC-107-FF
	35mm	125879	F2B-SC-35M	@	F2B-SC-35M-NL	@	F2B-SC-35M-FF

@Assembled to order

FEATURES/BENEFITS PAGE B3-2	NOMENCLATURE PAGE B3-6	SELECTION PAGE B3-6	MODIFICATION/ACCESSORIES PAGE B3-132
--------------------------------	---------------------------	------------------------	---

SELECTION/DIMENSIONS



Setscrew Ball Bearings SC NORMAL DUTY 2-BOLT FLANGE BEARINGS

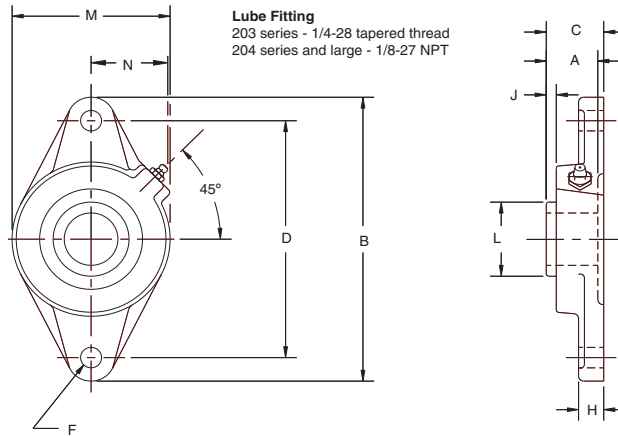
Series	Shaft Size	Weight lbs. kgs.	A	B	C	D	F Bolt Dia.	H	J	L	M	N
203	1/2	0.8	1	3-7/8	1-3/16	3	3/8	3/8	11/32	31/32	2-1/8	1-1/8
	5/8	0.7										
	17mm	0.3	25.4	98.4	30.2	76.2	M10	9.5	8.7	24.6	54.0	28.6
204	1/2	1.6	1-5/32	4-13/32	1-3/8	3-17/32	3/8	1/2	25/64	1-1/8	2-3/8	1-1/2
	5/8	1.5										
	3/4	1.4										
	20mm	0.5	29.4	111.9	34.6	89.7	M10	12.7	9.6	28.6	60.3	38.1
205	7/8	1.6	1-3/16	4-7/8	1-11/32	3-57/64	7/16	1/2	25/64	1-21/64	2-3/4	1-7/16
	15/16	1.5										
	1	1.4										
	25mm	0.6	30.2	123.8	34.1	98.8	M10	12.7	9.9	33.7	69.9	36.5
206	1-1/16	2.3	1-25/64	5-9/16	1-17/32	4-19/32	7/16	1/2	15/32	1-37/64	3-1/8	1-9/16
	1-1/8	2.2										
	1-3/16	2.1										
	1-1/4	2.0										
	30mm	1.0	35.3	141.3	38.8	116.7	M12	12.7	11.6	40.1	79.4	39.7
207	1-1/4	3.5	1-17/32	6-1/8	1-3/4	5-1/8	1/2	9/16	17/32	1-27/32	3-3/4	1-27/32
	1-5/16	3.4										
	1-3/8	3.2										
	1-7/16	3.1										
	35mm	1.5	38.9	155.6	44.5	130.2	M12	14.3	13.4	46.8	95.3	46.8

FEATURES/BENEFITS PAGE B3-2	NOMENCLATURE PAGE B3-6	SELECTION PAGE B3-6	MODIFICATION/ACCESSORIES PAGE B3-132
--------------------------------	---------------------------	------------------------	---

SELECTION/DIMENSIONS



Setscrew Ball Bearings SC NORMAL DUTY 2-BOLT FLANGE BEARINGS



Series	Shaft Size	Standard		No-Lube/Sealed for Life (-NL)		With Flingers	
		Part No.	Description	Part No.	Description	Part No.	Description
208	1-1/2	124268	F2B-SC-108	052011	F2B-SC-108-NL	124457	F2B-SC-108-FF
	1-5/8	124412	F2B-SC-110	@	F2B-SC-110-NL	@	F2B-SC-110-FF
	40mm	125880	F2B-SC-40M	126042	F2B-SC-40M-NL	@	F2B-SC-40M-FF
209	1-5/8	125171	F2B-SC-110L	@	F2B-SC-110L-NL	@	F2B-SC-110L-FF
	1-11/16	124279	F2B-SC-111	@	F2B-SC-111-NL	057849	F2B-SC-111-FF
	1-3/4	124413	F2B-SC-112	126521	F2B-SC-112-NL	124455	F2B-SC-112-FF
	1-13/16	124280	F2B-SC-113	@	F2B-SC-113-NL	@	F2B-SC-113-FF
	45mm	125881	F3B-SC-45M	@	F2B-SC-45M-NL	@	F2B-SC-45M-FF
210	1-15/16	124269	F2B-SC-115	126522	F2B-SC-115-NL	@	F2B-SC-115-FF
	2	124270	F2B-SC-200	126523	F2B-SC-200-NL	124542	F2B-SC-200-FF
	50mm	125882	F2B-SC-50M	@	F2B-SC-50M-NL	@	F2B-SC-50M-FF
211	2	126293	F2B-SCM-200	@	F2B-SCM-200-NL	058986	F2B-SCM-200-FF
	2-3/16	124034	F2B-SC-203	@	F2B-SC-203-NL	@	F2B-SC-203-FF
	2-1/4	124373	F2B-SC-204	@	F2B-SC-204-NL	@	F2B-SC-204-FF
	55mm	124942	F2B-SC-55M	@	F2B-SC-55M-NL	@	F2B-SC-55M-FF
212	2-1/4	@	F2B-SCM-204	@	F2B-SCM-204-NL	@	F2B-SCM-204-FF
	2-7/16	053175	F2B-SC-207	049437	F2B-SC-207-NL	@	F2B-SC-207-FF
	60mm	@	F2B-SC-60M	@	F2B-SC-60M-NL	@	F2B-SC-60M-FF

@Assembled to order

FEATURES/BENEFITS PAGE B3-2	NOMENCLATURE PAGE B3-6	SELECTION PAGE B3-6	MODIFICATION/ACCESSORIES PAGE B3-132
--------------------------------	---------------------------	------------------------	---

SELECTION/DIMENSIONS



Setscrew Ball Bearings SC NORMAL DUTY 2-BOLT FLANGE BEARINGS

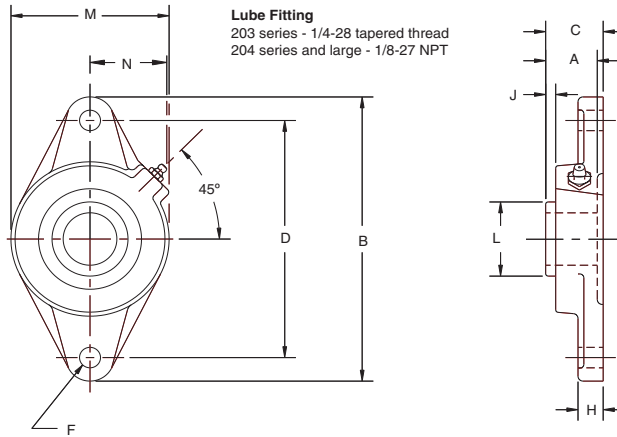
Series	Shaft Size	Weight lbs. kgs.	A	B	C	D	F Bolt Dia.	H	J	L	M	N
208	1-1/2	4.1	1-11/16	6-3/4	1-7/8	5-21/32	1/2	9/16	17/32	2-3/64	4-1/8	1-53/64
	1-5/8	4.0										
	40mm	1.8	42.9	171.5	47.5	143.7	M12	14.3	13.4	52.0	104.8	46.4
209	1-5/8	5.2	1-23/32	7-1/16	1-15/16	5-27/32	1/2	5/8	17/32	2-7/32	4-3/8	1-29/32
	1-11/16	5.0										
	1-3/4	4.9										
	1-13/16	4.7										
	45mm	2.2	43.7	179.4	49.2	148.4	M14	15.9	13.4	56.4	111.1	48.4
210	1-15/16	5.4	1-3/4	7-7/16	2	6-3/16	1/2	5/8	17/32	2-7/16	4-9/16	2-1/32
	2	5.2										
	50mm	2.5	44.5	188.9	50.7	157.2	M16	15.9	13.4	61.9	115.9	51.6
211	2	6.7	1-27/32	8-5/8	2-5/32	7-1/4	5/8	11/16	9/16	2-23/32	5-1/4	2-17/64
	2-3/16	6.5										
	2-1/4	6.3										
	55mm	3.0	46.8	219.1	54.8	184.2	M16	17.5	14.3	69.1	133.4	57.5
212	2-1/4	7.4	1-63/64	9-13/16	2-9/32	7-61/64	7/8	13/16	9/16	2-31/32	5-1/2	2-15/32
	2-7/16	7.0										
	60mm	3.4	50.4	249.2	57.9	202.0	M22	20.6	14.3	75.4	139.7	62.7

FEATURES/BENEFITS PAGE B3-2	NOMENCLATURE PAGE B3-6	SELECTION PAGE B3-6	MODIFICATION/ACCESSORIES PAGE B3-132
--------------------------------	---------------------------	------------------------	---

SELECTION/DIMENSIONS



Setscrew Ball Bearings SCAH NORMAL DUTY AIR HANDLING 2-BOLT FLANGE BEARINGS



Series	Shaft Size	Part No.	Description
203	1/2	@	F2B-SCAH-008
	5/8	049742	F2B-SCAH-010
	17mm	056902	F2B-SCAH-17M
204	1/2	@	F2B-SCAH-008L
	5/8	@	F2B-SCAH-010L
	3/4	123730	F2B-SCAH-012
	20mm	@	F2B-SCAH-20M
205	7/8	@	F2B-SCAH-014
	15/16	124244	F2B-SCAH-015
	1	123731	F2B-SCAH-100
	25mm	@	F2B-SCAH-25M
206	1-1/16	@	F2B-SCAH-101
	1-1/8	@	F2B-SCAH-102
	1-3/16	123732	F2B-SCAH-103
	1-1/4	123184	F2B-SCAH-104S
	30mm	@	F2B-SCAH-30M
207	1-1/4	123733	F2B-SCAH-104
	1-5/16	@	F2B-SCAH-105
	1-3/8	@	F2B-SCAH-106
	1-7/16	123734	F2B-SCAH-107
	35mm	@	F2B-SCAH-35M

@ Assembled to order

FEATURES/BENEFITS PAGE B3-2	NOMENCLATURE PAGE B3-6	SELECTION PAGE B3-6	MODIFICATION/ACCESSORIES PAGE B3-132
--------------------------------	---------------------------	------------------------	---

SELECTION/DIMENSIONS



Setscrew Ball Bearings SCAH NORMAL DUTY AIR HANDLING 2-BOLT FLANGE BEARINGS

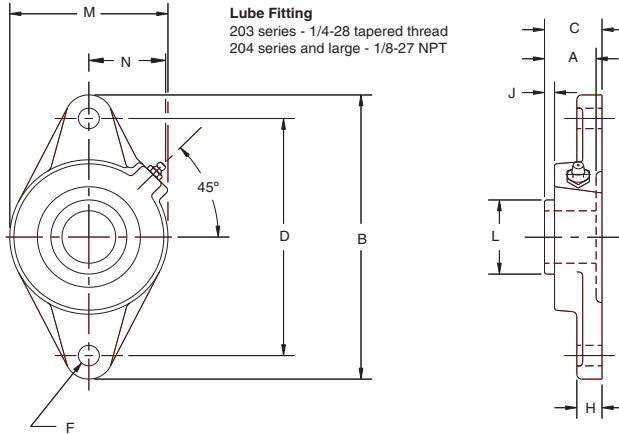
Series	Shaft Size	Weight lbs. kgs	A	B	C	D	F Bolt Dia.	H	J	L	M	N
203	1/2	0.8	1	3-7/8	1-3/16	3	3/8	3/8	11/32	31/32	2-1/8	1-1/8
	5/8	0.7										
	17mm	0.3	25.4	98.4	30.2	76.2	M10	9.5	8.7	24.6	54.0	28.6
204	1/2	1.6	1-5/32	4-13/32	1-3/8	3-17/32	3/8	1/2	25/64	1-1/8	2-3/8	1-1/2
	5/8	1.5										
	3/4	1.4										
	20mm	0.5	29.4	111.9	34.6	89.7	M10	12.7	9.6	28.6	60.3	38.1
205	7/8	1.6	1-3/16	4-7/8	1-11/32	3-57/64	7/16	1/2	25/64	1-21/64	2-3/4	1-7/16
	15/16	1.5										
	1	1.4										
206	25mm	0.6	30.2	123.8	34.1	98.8	M10	12.7	9.9	33.7	69.9	36.5
	1-1/16	2.3	1-25/64	5-9/16	1-17/32	4-19/32	7/16	1/2	15/32	1-37/64	3-1/8	1-9/16
	1-1/8	2.2										
	1-3/16	2.1										
207	1-1/4	3.5	1-17/32	6-1/8	1-3/4	5-1/8	1/2	9/16	17/32	1-27/32	3-3/4	1-27/32
	1-5/16	3.4										
	1-3/8	3.2										
	1-7/16	3.1										
	35mm	1.5	38.9	155.6	44.5	130.2	M12	14.3	13.4	46.8	95.3	46.8

FEATURES/BENEFITS PAGE B3-2	NOMENCLATURE PAGE B3-6	SELECTION PAGE B3-6	MODIFICATION/ACCESSORIES PAGE B3-132
--------------------------------	---------------------------	------------------------	---

SELECTION/DIMENSIONS



Setscrew Ball Bearings SCAH NORMAL DUTY AIR HANDLING 2-BOLT FLANGE BEARINGS



Series	Shaft Size	Part No.	Description
208	1-1/2	123735	F2B-SCAH-108
	1-5/8	@	F2B-SCAH-110
	40mm	@	F2B-SCAH-40M
209	1-5/8	@	F2B-SCAH-110L
	1-11/16	123736	F2B-SCAH-111
	1-3/4	123737	F2B-SCAH-112
	45mm	@	F2B-SCAH-45M
210	1-15/16	123738	F2B-SCAH-115
	2	@	F2B-SCAH-200
	50mm	@	F2B-SCAH-50M
211	2	@	F2B-SCMAH-200
	2/3/16	124794	F2B-SCAH-203
	2-1/4	@	F2B-SCAH-204
	55mm	@	F2B-SCAH-55M
212	2-1/4	@	F2B-SCMAH-204
	2-7/16	057707	F2B-SCAH-207
	60mm	@	F2B-SCAH-60M

@ Assembled to order

FEATURES/BENEFITS PAGE B3-2	NOMENCLATURE PAGE B3-6	SELECTION PAGE B3-6	MODIFICATION/ACCESSORIES PAGE B3-132
--------------------------------	---------------------------	------------------------	---

SELECTION/DIMENSIONS



Setscrew Ball Bearings

SCAH NORMAL DUTY AIR HANDLING 2-BOLT FLANGE BEARINGS

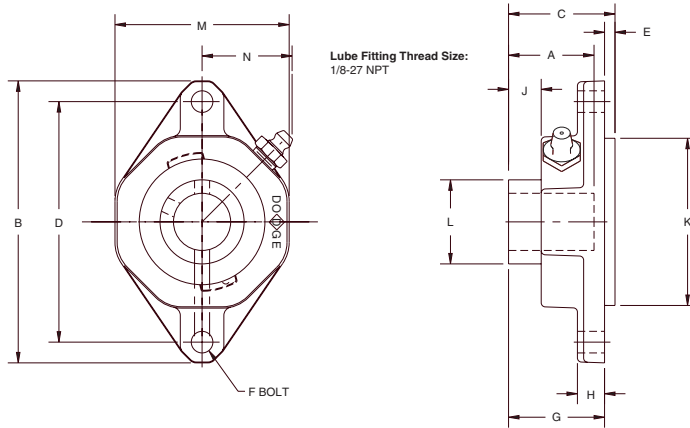
Series	Shaft Size	Weight lbs. kgs	A	B	C	D	F Bolt Dia.	H	J	L	M	N
208	1-1/2	4.1	1-11/16	6-3/4	1-7/8	5-21/32	1/2	9/16	17/32	2-3/64	4-1/8	1-53/64
	1-5/8	4.0										
	40mm	1.8	42.9	171.5	47.5	143.7	M12	14.3	13.4	52.0	104.8	46.4
209	1-5/8	5.2	1-23/32	7-1/16	1-15/16	5-27/32	1/2	5/8	17/32	2-7/32	4-3/8	1-29/32
	1-11/16	5.0										
	1-3/4	4.9										
	45mm	2.2	43.7	179.4	49.2	148.4	M14	15.9	13.4	56.4	111.1	48.4
210	1-15/16	5.4	1-3/4	7-7/16	2	6-3/16	1/2	5/8	17/32	2-7/16	4-9/16	2-1/32
	2	5.2										
	50mm	2.5	44.5	188.9	50.7	157.2	M16	15.9	13.4	61.9	115.9	51.6
211	2	6.7	1-27/32	8-5/8	2-5/32	7-1/4	5/8	11/16	9/16	2-23/32	5-1/4	2-17/64
	2 3/16	6.4										
	2-1/4	6.3										
	55mm	3.0	46.8	219.1	54.8	184.2	M16	17.5	14.3	69.1	133.4	57.5
212	2-1/4	7.4	1-63/64	9-13/16	2-9/32	7-61/64	7/8	13/16	9/16	2-31/32	5-1/2	2-15/32
	2-7/16	7.0										
	60mm	3.4	50.4	249.2	57.9	202.0	M22	20.6	14.3	75.4	139.7	62.7

FEATURES/BENEFITS PAGE B3-2	NOMENCLATURE PAGE B3-6	SELECTION PAGE B3-6	MODIFICATION/ACCESSORIES PAGE B3-132
--------------------------------	---------------------------	------------------------	---

SELECTION/DIMENSIONS



Setscrew Ball Bearings SC NORMAL DUTY 2-BOLT PILOTED FLANGE BEARINGS



Series	Shaft Size	Part No.	Description
204	1/2	@	F2BZ-SC-008
	5/8	064775	F2BZ-SC-010
	3/4	062648	F2BZ-SC-012
	20mm	130367	F2BZ-SC-20M
205	7/8	@	F2BZ-SC-014
	15/16	@	F2BZ-SC-015
	1	056929	F2BZ-SC-100
	25mm	130368	F2BZ-SC-25M
206	1-1/8	049926	F2BZ-SC-102
	1-3/16	064480	F2BZ-SC-103
	1-1/4	@	F2BZ-SC-104S
	30mm	130369	F2BZ-SC-30M
207	1-1/4	064089	F2BZ-SC-104
	1-3/8	@	F2BZ-SC-106
	1-7/16	@	F2BZ-SC-107
	35mm	130370	F2BZ-SC-35M
208	1-1/2	062686	F2BZ-SC-108
	1-5/8	@	F2BZ-SC-110
	40mm	130371	F2BZ-SC-40M
209	1-5/8	@	F2BZ-SC-110L
	1-11/16	@	F2BZ-SC-111
	1-3/4	@	F2BZ-SC-112
	45mm	130372	F2BZ-SC-45M
210	1-15/16	056845	F2BZ-SC-115
	2	@	F2BZ-SC-200
	50mm	130373	F2BZ-SC-50M

@ Assembled to order

FEATURES/BENEFITS PAGE B3-2	NOMENCLATURE PAGE B3-6	SELECTION PAGE B3-6	MODIFICATION/ACCESSORIES PAGE B3-132
--------------------------------	---------------------------	------------------------	---

SELECTION/DIMENSIONS



Setscrew Ball Bearings SC NORMAL DUTY 2-BOLT PILOTED FLANGE BEARINGS

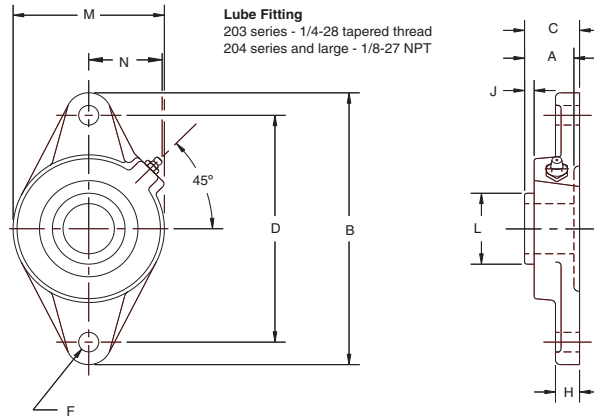
Series	Shaft Size	Weight lbs kg	A	B	C	D	E	F Bolt Dia	G	H	J	K	L	M	N
204	1/2	1.2	1-5/32	4-27/64	1-31/64	3-17/32	0.138	3/8	1-11/32	29/64	21/64	2.1654	1-1/8	2-3/8	1-3/8
	5/8	1.2													
	3/4	1.1													
	20mm	0.3	29.4	112.3	37.6	89.7	3.5	M10	34.1	11.5	8.3	55	28.6	60.3	34.9
205	7/8	1.4	1-3/16	4-7/8	1-33/64	3-57/64	0.138	7/16	1-1/4	29/64	23/64	2.3622	1-21/64	2-3/4	1-9/16
	15/16	1.4													
	1	1.4													
	25mm	0.6	30.2	123.8	38.3	98.8	3.5	M10	34.8	11.5	9.1	60	33.7	69.9	39.7
206	1-1/8	1.8	1-25/64	5-9/16	1-49/64	4-19/32	0.118	7/16	1-21/32	1/2	25/64	3.1496	1-37/64	3-1/4	1-3/4
	1-3/16	1.8													
	1-1/4	1.8													
	30mm	0.8	35.3	141.3	44.8	116.7	3.0	M10	41.8	12.7	9.9	80	40.1	82.6	44.5
207	1-1/4	2.7	1-17/32	6-1/8	1-55/64	5-1/8	0.158	1/2	1-45/64	31/64	17/32	3.5433	1-27/32	3-3/4	1-57/64
	1-3/8	2.6													
	1-7/16	2.6													
	35mm	1.2	38.9	155.6	47.2	130.2	4.0	M12	43.2	12.3	13.5	90	46.8	95.3	48.0
208	1-1/2	3.9	1-11/16	6-3/4	2-3/64	5-21/32	0.158	1/2	1-57/64	1/2	1/2	3.9370	2-3/64	4-1/8	1-7/8
	1-5/8	3.8													
	40mm	1.7	42.9	171.5	51.8	143.7	4.0	M12	48.0	12.7	12.7	100	52.0	104.8	47.6
209	1-5/8	4.2	1-23/32	7-1/16	2-5/64	5-27/32	0.158	9/16	1-59/64	31/64	17/32	4.1339	2-7/32	4-3/8	1-31/32
	1-11/16	4.1													
	1-3/4	4.1													
	45mm	2.5	43.7	179.4	52.86	148.4	4.0	M12	48.8	12.3	13.5	105	56.4	111.1	50.0
210	1-15/16	3.6	1-3/4	7-7/16	2-17/64	6-3/16	0.158	9/16	2-7/64	5/8	1/2	4.1339	2-7/16	4-9/16	2-1/32
	2	4.4													
	50mm	2.6	44.5	188.9	57.4	157.2	4.0	M16	53.4	15.9	12.7	105	61.9	115.9	51.6

FEATURES/BENEFITS PAGE B3-2	NOMENCLATURE PAGE B3-6	SELECTION PAGE B3-6	MODIFICATION/ACCESSORIES PAGE B3-132
--------------------------------	---------------------------	------------------------	---

SELECTION/DIMENSIONS



Setscrew Ball Bearings SCM MEDIUM DUTY 2-BOLT FLANGE BEARINGS



Series	Shaft Size	Standard		Sealed for Life		With Flingers	
		Part No.	Description	Part No.	Description	Part No.	Description
206	1 25mm	126284	F2B-SCM-100	@	F2B-SCM-100-NL	052616	F2B-SCM-100-FF
		125954	F2B-SCM-25M	@	F2B-SCM-25M-NL	@	F2B-SCM-25M-FF
207	1-3/16 1-1/4 30mm	126285	F2B-SCM-103	@	F2B-SCM-103-NL	@	F2B-SCM-103-FF
		124276	F2B-SC-104	126518	F2B-SC-104-NL	052664	F2B-SC-104-FF
		125955	F2B-SCM-30M	@	F2B-SCM-30M-NL	@	F2B-SCM-30M-FF
208	1-7/16 35mm	126287	F2B-SCM-107	@	F2B-SCM-107-NL	056645	F2B-SCM-107-FF
		125956	F2B-SCM-35M	@	F2B-SCM-35M-NL	@	F2B-SCM-35M-FF
209	1-1/2 1-5/8 40mm	126288	F2B-SCM-108	126536	F2B-SCM-108-NL	@	F2B-SCM-108-FF
		125171	F2B-SC-110L	@	F2B-SC-110L-NL	@	F2B-SC-110L-FF
		125957	F2B-SCM-40M	@	F2B-SCM-40M-NL	@	F2B-SCM-40M-FF
210	1-11/16 1-3/4 45mm	126289	F2B-SCM-111	@	F2B-SCM-111-NL	@	F2B-SCM-111-FF
		126290	F2B-SCM-112	@	F2B-SCM-112-NL	@	F2B-SCM-112-FF
		125958	F2B-SCM-45M	@	F2B-SCM-45M-NL	@	F2B-SCM-45M-FF
211	1-15/16 2 50mm	126292	F2B-SCM-115	@	F2B-SCM-115-NL	@	F2B-SCM-115-FF
		126293	F2B-SCM-200	@	F2B-SCM-200-NL	058986	F2B-SCM-200-FF
		125960	F2B-SCM-50M	@	F2B-SCM-50M-NL	@	F2B-SCM-50M-FF
212	2-3/16 2-1/4 55mm	@	F2B-SCM-203	@	F2B-SCM-203-NL	@	F2B-SCM-203-FF
		@	F2B-SCM-204	@	F2B-SCM-204-NL	@	F2B-SCM-204-FF
		@	F2B-SCM-55M	@	F2B-SCM-55M-NL	@	F2B-SCM-55M-FF

@ Assembled to order

SELECTION/DIMENSIONS



Setscrew Ball Bearings SCM MEDIUM DUTY 2-BOLT FLANGE BEARINGS

Series	Shaft Size	Weight lbs. kgs	A	B	C	D	F Bolt Dia.	H	J	L	M	N
206	1	2.4	1-25/64	5-9/16	1-17/32	4-19/32	7/16	1/2	15/32	1-37/64	3-1/8	1-9/16
	25mm	1.0	35.3	141.3	38.8	116.7	M12	12.7	11.6	40.1	79.4	39.7
207	1-3/16	3.6	1-17/32	6-1/8	1-3/4	5-1/8	1/2	9/16	17/32	1-27/32	3-3/4	1-27/32
	1-1/4	3.5										
	30mm	1.6	38.9	155.6	44.5	130.2	M12	14.3	13.4	46.8	95.3	46.8
208	1-7/16	4.1	1-11/16	6-3/4	1-7/8	5-21/32	1/2	9/16	17/32	2-3/64	4-1/8	1-53/64
	35mm	1.9	42.9	171.5	47.5	143.7	M12	14.3	13.4	52.0	104.8	46.4
209	1-1/2	5.3	1-23/32	7-1/16	1-15/16	5-27/32	1/2	5/8	17/32	2-7/32	4-3/8	1-29/32
	1-5/8	5.2										
	40mm	2.3	43.7	179.4	49.2	148.4	M14	15.9	13.4	56.4	111.1	48.4
210	1-11/16	5.8	1-3/4	7-7/16	2	6-3/16	1/2	5/8	17/32	2-7/16	4-9/16	2-1/32
	1-3/4	5.6										
	45mm	2.6	44.5	188.9	50.7	157.2	M16	15.9	13.4	61.9	115.9	51.6
211	1-15/16	6.7	1-27/32	8-5/8	2-5/32	7-1/4	5/8	11/16	9/16	2-23/32	5-1/4	2-17/64
	2	6.5										
	50mm	2.9	46.8	219.1	54.8	184.2	M16	17.5	14.3	69.1	133.4	57.5
212	2-3/16	7.4	1-63/64	9-13/16	2-9/32	7-61/64	7/8	13/16	9/16	2-31/32	5-1/2	2-15/32
	2-1/4	7.2										
	55mm	3.2	50.4	249.2	57.9	202.0	M22	20.6	14.3	75.4	139.7	62.7

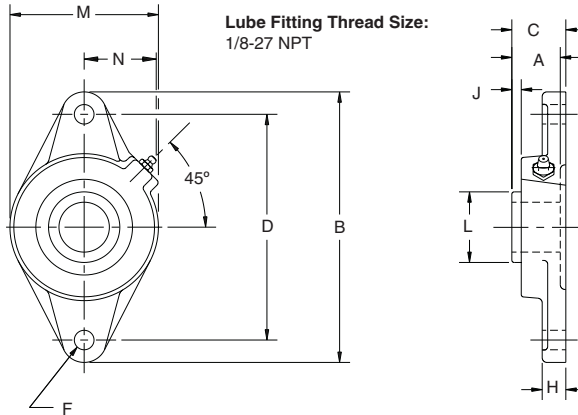
FEATURES/BENEFITS PAGE B3-2	NOMENCLATURE PAGE B3-6	SELECTION PAGE B3-6	MODIFICATION/ACCESSORIES PAGE B3-132
--------------------------------	---------------------------	------------------------	---

SELECTION/DIMENSIONS



Setscrew Ball Bearings

SCMAH MEDIUM DUTY AIR HANDLING 2-BOLT FLANGE BEARINGS



Series	Shaft Size	Part No.	Standard Description
206	1	050498	F2B-SCMAH-100
	25mm	@	F2B-SCMAH-25M
207	1-3/16	050146	F2B-SCMAH-103
	1-1/4	123733	F2B-SCAH-104
	30mm	@	F2B-SCMAH-30M
208	1-7/16	123755	F2B-SCMAH-107
	35mm	@	F2B-SCMAH-35M
209	1-1/2	@	F2B-SCMAH-108
	1-5/8	@	F2B-SCAH-110L
	40mm	@	F2B-SCMAH-40M
210	1-11/16	123757	F2B-SCMAH-111
	1-3/4	123758	F2B-SCMAH-112
	45mm	@	F2B-SCMAH-45M
211	1-15/16	064198	F2B-SCMAH-115
	2	@	F2B-SCMAH-200
	50mm	@	F2B-SCMAH-50M
212	2-3/16	@	F2B-SCMAH-203
	2-1/4	@	F2B-SCMAH-204
	55mm	@	F2B-SCMAH-55M

@ Assembled to order

FEATURES/BENEFITS PAGE B3-2	NOMENCLATURE PAGE B3-6	SELECTION PAGE B3-6	MODIFICATION/ACCESSORIES PAGE B3-132
--------------------------------	---------------------------	------------------------	---

SELECTION/DIMENSIONS



Setscrew Ball Bearings

SCMAH MEDIUM DUTY AIR HANDLING 2-BOLT FLANGE BEARINGS

Series	Shaft Size	Weight lbs kg	A	B	C	D	F Bolt Dia.	H	J	L	M	N
206	1	2.4	1-25/64	5-9/16	1-17/32	4-19/32	7/16	1/2	15/32	1-37/64	3-1/8	1-9/16
	25mm	1.0	35.3	141.3	38.8	116.7	M12	12.7	11.6	40.1	79.4	39.7
207	1-3/16	3.6	1-17/32	6-1/8	1-3/4	5-1/8	1/2	9/16	17/32	1-27/32	3-3/4	1-27/32
	1-1/4 30mm	3.5 1.6	38.9	155.6	44.5	130.2	M12	14.3	13.4	46.8	95.3	46.8
208	1-7/16	4.1	1-11/16	6-3/4	1-7/8	5-21/32	1/2	9/16	17/32	2-3/64	4-1/8	1-53/64
	35mm	1.9	42.9	171.5	47.5	143.7	M12	14.3	13.4	52.0	104.8	46.4
209	1-1/2	5.3	1-23/32	7-1/16	1-15/16	5-27/32	1/2	5/8	17/32	2-7/32	4-3/8	1-29/32
	1-5/8 40mm	5.2 2.3	43.7	179.4	49.2	148.4	M14	15.9	13.4	56.4	111.1	48.4
210	1-11/16	5.8	1-3/4	7-7/16	2	6-3/16	1/2	5/8	17/32	2-7/16	4-9/16	2-1/32
	1-3/4 45mm	5.6 2.6	44.5	188.9	50.7	157.2	M16	15.9	13.4	61.9	115.9	51.6
211	1-15/16	6.7	1-27/32	8-5/8	2-5/32	7-1/4	5/8	11/16	9/16	2-23/32	5-1/4	2-17/64
	2 50mm	6.5 2.9	46.8	219.1	54.8	184.2	M16	17.5	14.3	69.1	133.4	57.5
212	2-3/16	7.4	1-63/64	9-13/16	2-9/32	7-61/64	7/8	13/16	9/16	2-31/32	5-1/2	2-15/32
	2-1/4 55mm	7.2 3.2	50.4	249.2	57.9	202.0	M22	20.6	14.3	75.4	139.7	62.7

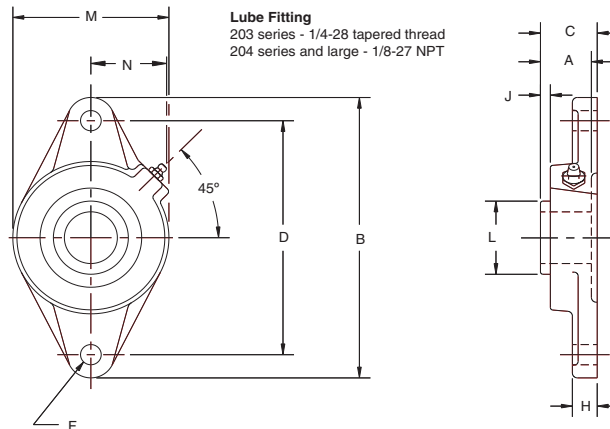
FEATURES/BENEFITS PAGE B3-2	NOMENCLATURE PAGE B3-6	SELECTION PAGE B3-6	MODIFICATION/ACCESSORIES PAGE B3-132
--------------------------------	---------------------------	------------------------	---

SELECTION/DIMENSIONS



Setscrew Ball Bearings

VSC INTERMEDIATE DUTY 2-BOLT FLANGE BEARINGS



Series	Shaft Size	Standard		No-Lube/Sealed for Life (-NL)	
		Part No.	Description	Part No.	Description
203	1/2	125516	F2B-VSC-008	@	F2B-VSC-008-NL
	5/8	125517	F2B-VSC-010	@	F2B-VSC-010-NL
	17mm	125703	F2B-VSC-17M	@	F2B-VSC-17M-NL
204	3/4	123610	F2B-VSC-012	057854	F2B-VSC-012-NL
	20mm	125704	F2B-VSC-20M	@	F2B-VSC-20M-NL
205	7/8	125518	F2B-VSC-014	@	F2B-VSC-014-NL
	15/16	125519	F2B-VSC-015	@	F2B-VSC-015-NL
	1	123611	F2B-VSC-100	050778	F2B-VSC-100-NL
	25mm	125705	F2B-VSC-25M	@	F2B-VSC-25M-NL
206	1-1/8	125520	F2B-VSC-102	@	F2B-VSC-102-NL
	1-3/16	123612	F2B-VSC-103	050840	F2B-VSC-103-NL
	1-1/4	123618	F2B-VSC-104S	051888	F2B-VSC-104S-NL
	30mm	125752	F2B-VSC-30M	@	F2B-VSC-30M-NL
207	1-1/4	123613	F2B-VSC-104	@	F2B-VSC-104-NL
	1-3/8	125521	F2B-VSC-106	049468	F2B-VSC-106-NL
	1-7/16	123614	F2B-VSC-107	051699	F2B-VSC-107-NL
208	35mm	125706	F2B-VSC-35M	@	F2B-VSC-35M-NL
	1-1/2	123615	F2B-VSC-108	@	F2B-VSC-108-NL
	40mm	125707	F2B-VSC-40M	@	F2B-VSC-40M-NL
209	1-11/16	125522	F2B-VSC-111	050842	F2B-VSC-111-NL
	1-3/4	125523	F2B-VSC-112	049892	F2B-VSC-112-NL
	45mm	125708	F2B-VSC-45M	@	F2B-VSC-45M-NL
210	1-15/16	123616	F2B-VSC-115	059811	F2B-VSC-115-NL
	2	123617	F2B-VSC-200	056727	F2B-VSC-200-NL
	50mm	125709	F2B-VSC-50M	@	F2B-VSC-50M-NL
211	2	123694	F2B-VSC-200L	@	F2B-VSC-200L-NL
	2-3/16	123619	F2B-VSC-203	@	F2B-VSC-203-NL
	55mm	125710	F2B-VSC-55M	@	F2B-VSC-55M-NL

@Assembled to order

FEATURES/BENEFITS PAGE B3-2	NOMENCLATURE PAGE B3-6	SELECTION PAGE B3-6	MODIFICATION/ACCESSORIES PAGE B3-132
--------------------------------	---------------------------	------------------------	---

SELECTION/DIMENSIONS



Setscrew Ball Bearings VSC INTERMEDIATE DUTY 2-BOLT FLANGE BEARINGS

Series	Shaft Size	Weight lbs. kg.	A	B	C	D	F Bolt Dia.	H	J	L	M	N
203	1/2	0.8	15/16	3-7/8	1-3/16	3	3/8	3/8	11/32	31/32	2-1/8	1-1/8
	5/8	0.7										
	17mm	0.36	23.8	98.4	30.2	76.2	M10	9.5	8.7	24.6	54.0	28.6
204	3/4	1.4	1-1/16	4-13/32	1-3/8	3-17/32	3/8	1/2	25/64	1-1/8	2-3/8	1-1/2
	20mm	0.63	27.0	111.9	34.9	89.7	M10	12.7	9.9	28.6	60.3	38.1
205	7/8	1.6	1-3/32	4-7/8	1-11/32	3-57/64	7/16	1/2	25/64	1-21/64	2-3/4	1-7/16
	15/16	1.5										
	1	1.4										
206	25mm	0.67	27.8	123.8	34.1	98.8	M10	12.7	9.9	33.7	69.9	36.5
	1-1/8	2.2	1-19/64	5-9/16	1-17/32	4-19/32	7/16	1/2	15/32	1-37/64	3-1/8	1-9/16
	1-3/16	2.1										
207	1-1/4	2.0										
	30mm	0.94	32.9	141.3	38.9	116.7	M12	12.7	11.9	40.1	79.4	39.7
208	1-1/4	3.5	1-7/16	6-1/8	1-3/4	5-1/8	1/2	9/16	17/32	1-27/32	3-3/4	1-27/32
	1-3/8	3.3										
	1-7/16	3.2										
209	35mm	1.43	36.5	155.6	44.5	130.2	M12	14.3	13.5	46.8	95.3	46.8
	1-1/2	4.1	1-9/16	6-3/4	1-7/8	5-21/32	1/2	9/16	17/32	2-3/64	4-1/8	1-53/64
	40mm	1.83	39.7	171.5	47.6	143.7	M12	14.3	13.5	52.0	104.8	46.4
210												
	1-11/16	5.0	1-19/32	7-1/16	1-15/16	5-27/32	1/2	5/8	17/32	2-7/32	4-3/8	1-29/32
	1-3/4	4.9										
211	45mm	2.23	40.5	179.4	49.20	148.4	M14	15.9	13.5	56.4	111.1	48.4
	1-15/16	5.4	1-5/8	7-7/16	2	6-3/16	1/2	5/8	17/32	2-7/16	4-9/16	2-1/32
	2	5.2										
211	50mm	2.41	40.5	188.9	50.8	157.2	M16	15.9	13.5	61.9	115.9	51.6
	2	6.7	1-23/32	8-5/8	2-5/32	7-1/4	5/8	11/16	9/16	2-23/32	5-1/4	2-17/64
	2-3/16	6.5										
211	55mm	2.99	41.3	219.1	54.8	184.2	M16	17.5	14.3	69.1	133.4	57.5

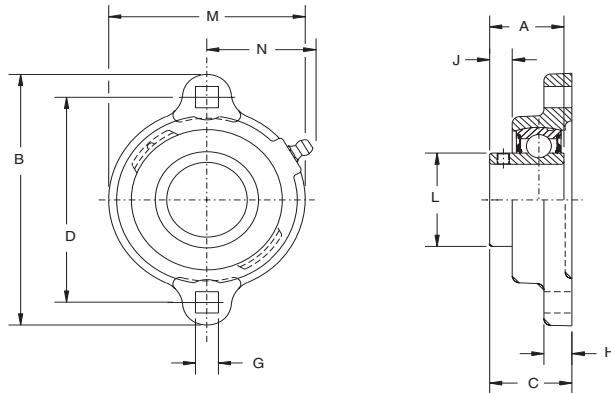
FEATURES/BENEFITS PAGE B3-2	NOMENCLATURE PAGE B3-6	SELECTION PAGE B3-6	MODIFICATION/ACCESSORIES PAGE B3-132
--------------------------------	---------------------------	------------------------	---

SELECTION/DIMENSIONS



Setscrew Ball Bearings SC LFT NORMAL DUTY 2-BOLT FLANGE BEARINGS

Lube Fitting Thread Size:
1/4-28 Tapered Thread



Series	Shaft Size	Standard		Sealed for Life (No Lube)	
		Part No.	Description	Part No.	Description
203	1/2	124640	LFT-SC-008	124660	LFT-SC-008-NL
	5/8	124641	LFT-SC-010	124661	LFT-SC-010-NL
	17mm	130362	LFT-SC-17M	@	LFT-SC-17M-NL
204	3/4	124642	LFT-SC-012	124662	LFT-SC-012-NL
	20mm	130363	LFT-SC-20M	@	LFT-SC-20M-NL
205	7/8	124643	LFT-SC-014	124663	LFT-SC-014-NL
	15/16	124644	LFT-SC-015	124664	LFT-SC-015-NL
	1	124645	LFT-SC-100	124665	LFT-SC-100-NL
	25mm	130364	LFT-SC-25M	@	LFT-SC-25M-NL
206	1-1/16	124646	LFT-SC-101	124666	LFT-SC-101-NL
	1-1/8	124647	LFT-SC-102	124667	LFT-SC-102-NL
	1-3/16	124648	LFT-SC-103	124668	LFT-SC-103-NL
	1-1/4	124649	LFT-SC-104S	124669	LFT-SC-104S-NL
	30mm	130365	LFT-SC-30M	@	LFT-SC-30M-NL
207	1-1/4	124650	LFT-SC-104	124670	LFT-SC-104-NL
	1-5/16	124651	LFT-SC-105	124671	LFT-SC-105-NL
	1-3/8	124652	LFT-SC-106	124672	LFT-SC-106-NL
	1-7/16	124653	LFT-SC-107	124673	LFT-SC-107-NL
	35mm	130366	LFT-SC-35M	@	LFT-SC-35M-NL

* No lube fitting required in the SCLFT NoLube

@ Assembled to order.

FEATURES/BENEFITS
PAGE B3-2

NOMENCLATURE
PAGE B3-6

SELECTION
PAGE B3-6

MODIFICATION/ACCESSORIES
PAGE B3-132

SELECTION/DIMENSIONS



Setscrew Ball Bearings SC LFT NORMAL DUTY 2-BOLT FLANGE BEARINGS

Series	Shaft Size	Weight lbs kgs	A	B	C	D	G	H	J	L	M	N*
203	1/2	0.60	1	3-3/16	1-3/64	2-1/2	9/32	3/8	21/64	31/32	2-1/8	1-15/64
	5/8	0.55										
	17mm	0.27										
204	3/4	0.80	1-5/32	3-9/16	1-7/32	2-13/16	11/32	27/64	3/8	1-1/8	2-3/8	1-11/32
	20mm	0.36	29.4	90.5	31.0	71.4	8.7	10.7	9.5	28.6	60.3	34.1
205	7/8	0.95	1-3/16	3-3/4	1-1/4	3	11/32	27/64	3/8	1-21/64	2-5/8	1-7/16
	15/16	0.90										
	1	0.85										
206	25mm	0.43	30.2	95.3	31.8	76.2	8.7	10.7	10.3	33.7	66.7	36.5
	1-1/16	1.50	1-25/64	4-7/16	1-15/32	3-9/16	13/32	15/32	15/32	1-37/64	3-1/4	1-23/32
	1-1/8	1.45										
	1-3/16	1.40										
	1-1/4	1.35										
30mm	0.67	35.3	112.7	37.3	90.5	10.3	11.9	13.5	40.1	82.6	43.7	
207	1-1/4	1.85	1-17/32	4-13/16	1-19/32	3-15/16	13/32	1/2	17/32	1-27/32	3-1/2	1-53/64
	1-5/16	1.80										
	1-3/8	1.75										
	1-7/16	1.70										
	35mm	0.81	38.9	122.2	40.5	100.0	10.3	12.7	13.5	46.8	88.9	46.4

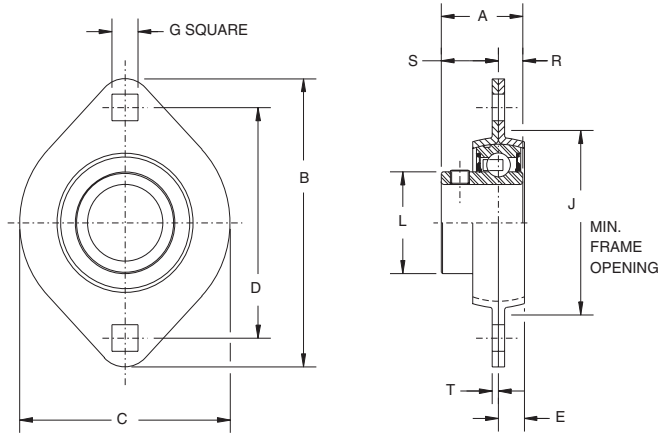
* No lube fitting required in the SCLFT NoLube

FEATURES/BENEFITS PAGE B3-2	NOMENCLATURE PAGE B3-6	SELECTION PAGE B3-6	MODIFICATION/ACCESSORIES PAGE B3-132
--------------------------------	---------------------------	------------------------	---

SELECTION/DIMENSIONS



Setscrew Ball Bearings SL LIGHT DUTY 2-BOLT FLANGE BEARINGS



Series	Shaft Size	Part No.	Description
203	1/2	128151	F2B-SL-008
	5/8	128154	F2B-SL-010
	17mm	@	F2B-SL-17M
204	3/4	128092	F2B-SL-012
	20mm	@	F2B-SL-20M
205	7/8	128174	F2B-SL-014
	15/16	128175	F2B-SL-015
	1	128093	F2B-SL-100
	25mm	@	F2B-SL-25M
206	1-1/8	128176	F2B-SL-102
	1-3/16	128094	F2B-SL-103
	1-1/4	128097	F2B-SL-104S
	30mm	@	F2B-SL-30M
207	1-1/4	128095	F2B-SL-104
	1-3/8	128177	F2B-SL-106
	1-7/16	128096	F2B-SL-107
	35mm	@	F2B-SL-35M

FEATURES/BENEFITS PAGE B3-2	NOMENCLATURE PAGE B3-6	SELECTION PAGE B3-6	MODIFICATION/ACCESSORIES PAGE B3-132
--------------------------------	---------------------------	------------------------	---

SELECTION/DIMENSIONS



Setscrew Ball Bearings SL LIGHT DUTY 2-BOLT FLANGE BEARINGS

Bearing Quick Reference

E-Z KLEEN

GRIP TIGHT Adapter Ball Bearing

Setscrew Ball Bearing

Eccentric Collar Ball Bearing

Series	Shaft Size	Weight lbs. kg	A	B	C	D	E	G*	J	L	R	S	T	Housing Radial Load Rating (lbs) N
203	1/2	0.45	15/16	3-3/16	2-5/16	2-1/2	9/32	9/32	1-15/16	31/32	19/64	41/64	0.075	600
	5/8	0.42												
	17mm	0.20	23.8	81.0	58.7	63.5	7.1	7.1	49.2	24.6	7.5	16.3	1.9	2,668
204	3/4	0.55	1-1/16	3-9/16	2-5/8	2-13/16	5/16	11/32	2-3/16	1-1/8	21/64	47/64	0.083	700
	20mm	0.25	27.0	90.5	66.7	71.4	7.9	8.7	55.6	28.6	8.3	18.7	2.1	3,112
205	7/8	0.81	1-3/32	3-3/4	2-51/64	3	11/32	11/32	2-3/8	1-21/64	21/64	49/64	0.083	800
	15/16	0.77												
	1	0.65												
	25mm	.34	27.8	95.3	71.0	76.2	8.7	8.7	60.3	33.7	8.3	19.4	2.1	3,557
206	1-1/8	1.05	1-19/64	4-7/16	3-5/16	3-9/16	11/32	13/32	2-13/16	1-37/64	25/64	29/32	0.104	1,100
	1-3/16	1.02												
	1-1/4	1.00												
	30mm	0.46	32.9	112.7	84.1	90.5	8.7	10.3	71.4	40.1	9.9	23.0	2.6	4,891
207	1-1/4	1.53	1-7/16	4-15/16	3-11/16	3-15/16	7/16	13/32	3-3/16	1-27/32	13/32	1-1/32	0.104	1,400
	1-3/8	1.50												
	1-7/16	1.37												
	35mm	0.67	36.5	125.4	93.7	100.0	11.1	10.3	81.0	46.8	10.3	26.2	2.6	6,225

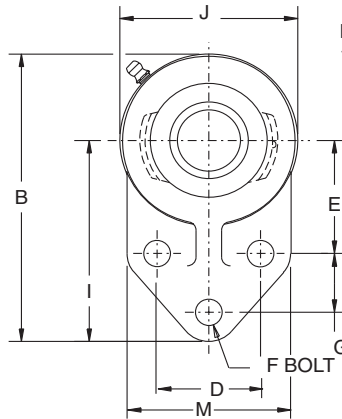
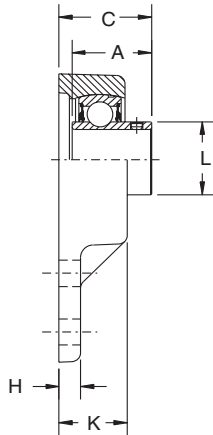
* Mounting bolt holes will accept either carriage or machine bolts

FEATURES/BENEFITS PAGE B3-2	NOMENCLATURE PAGE B3-6	SELECTION PAGE B3-6	MODIFICATION/ACCESSORIES PAGE B3-132
--------------------------------	---------------------------	------------------------	---



SELECTION/DIMENSIONS

Setscrew Ball Bearings SC FB NORMAL DUTY 3-BOLT FLANGED BRACKET BEARINGS



Lube Fitting Thread Size:
1/8-27 NPT

Series	Shaft Size	Standard		No Lube/Sealed for Life (-NL)		With Flingers	
		Part No.	Description	Part No.	Description	Part No.	Description
204	1/2	124435	FB-SC-008	@	FB-SC-008-NL	@	FB-SC-008-FF
	5/8	124436	FB-SC-010	059816	FB-SC-010-NL	@	FB-SC-010-FF
	3/4	124437	FB-SC-012	058544	FB-SC-012-NL	049726	FB-SC-012-FF
205	7/8	124438	FB-SC-014	056765	FB-SC-014-NL	@	FB-SC-014-FF
	15/16	124439	FB-SC-015	@	FB-SC-015-NL	@	FB-SC-015-FF
	1	124440	FB-SC-100	051774	FB-SC-100-NL	@	FB-SC-100-FF
206	1-1/16	124441	FB-SC-101	@	FB-SC-101-NL	@	FB-SC-101-FF
	1-1/8	124442	FB-SC-102	@	FB-SC-102-NL	@	FB-SC-102-FF
	1-3/16	124443	FB-SC-103	049615	FB-SC-103-NL	@	FB-SC-103-FF
	1-1/4	124444	FB-SC-104S	124450	FB-SC-104S-NL	054263	FB-SC-104S-FF
207	1-1/4	124445	FB-SC-104	058545	FB-SC-104-NL	@	FB-SC-104-FF
	1-5/16	124446	FB-SC-105	@	FB-SC-105-NL	@	FB-SC-105-FF
	1-3/8	124447	FB-SC-106	@	FB-SC-106-NL	@	FB-SC-106-FF
	1-7/16	124448	FB-SC-107	052016	FB-SC-107-NL	124449	FB-SC-107-FF
210	1-11/16	052906	FB-SCM-111	@	FB-SCM-111-NL	@	FB-SCM-111-FF
	1-15/16	052094	FB-SC-115	@	FB-SC-115-NL	@	FB-SC-115-FF
	2	058529	FB-SC-200	@	FB-SC-200-NL	@	FB-SC-200-FF

@ Assembled to order.

FEATURES/BENEFITS PAGE B3-2	NOMENCLATURE PAGE B3-6	SELECTION PAGE B3-6	MODIFICATION/ACCESSORIES PAGE B3-132
--------------------------------	---------------------------	------------------------	---

SELECTION/DIMENSIONS



Setscrew Ball Bearings

SC FB NORMAL DUTY 3-BOLT FLANGED BRACKET BEARINGS

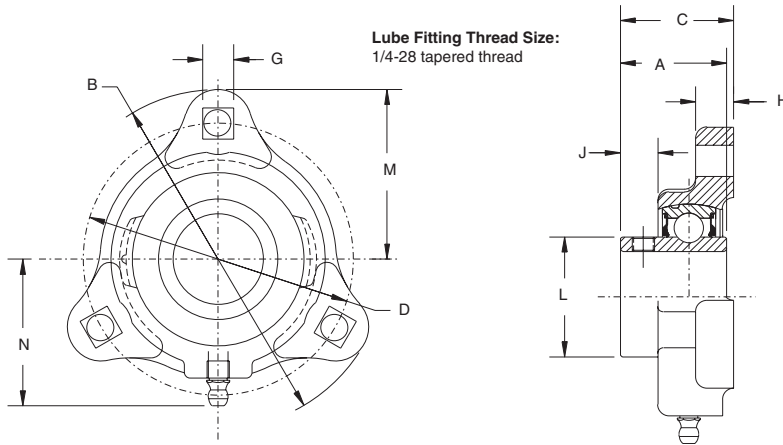
Series	Shaft Size	Weight lbs	A	B	C	D	E	F Bolt Dia.	G	H	I	J	K	L	M
204	1/2	1.51	1-5/32	4-1/4	1-11/32	1-1/2	1-11/16	3/8	7/8	5/16	3	2-1/2	63/64	1-1/8	2-3/8
	5/8	1.48													
	3/4	1.45													
205	7/8	1.81	1-3/16	4-3/4	1-1/2	1-5/8	1-13/16	3/8	1-1/8	3/8	3-3/8	2-3/4	1-7/64	1-21/64	2-1/2
	15/16	1.78													
	1	1.75													
206	1-1/16	2.12	1-25/64	5-3/8	1-5/8	1-7/8	2-1/16	3/8	1-1/4	3/8	3-3/4	3-1/4	1-1/8	1-37/64	2-3/4
	1-1/8	2.08													
	1-3/16	2.05													
	1-1/4	2.02													
207	1-1/4	3.46	1-17/32	6-1/8	1-7/8	2	2-3/8	1/2	1-1/4	1/2	4-1/4	3-3/4	1-5/16	1-27/32	3-1/4
	1-5/16	3.41													
	1-3/8	3.36													
	1-7/16	3.30													
210	1-11/16	5.70	1-3/4	7-1/2	2-1/32	2-3/4	2-15/16	1/2	1-5/8	1/2	5-3/16	4-5/8	1-1/2	2-7/16	4
	1-15/16	5.50													
	2	5.40													

FEATURES/BENEFITS PAGE B3-2	NOMENCLATURE PAGE B3-6	SELECTION PAGE B3-6	MODIFICATION/ACCESSORIES PAGE B3-132
--------------------------------	---------------------------	------------------------	---



SELECTION/DIMENSIONS

Setscrew Ball Bearings SC LF NORMAL DUTY 3-BOLT FLANGE BEARINGS



Series	Shaft Size	Standard		Sealed for Life (No Lube)	
		Part No.	Description	Part No.	Description
203	1/2	124600	LF-SC-008	124620	LF-SC-008-NL
	5/8	124601	LF-SC-010	124621	LF-SC-010-NL
	17 mm	050895	LF-SC-17M		LF-SC-17M-NL
204	3/4	124602	LF-SC-012	124622	LF-SC-012-NL
	20 mm	124934	LF-SC-20M	125384	LF-SC-20M-NL
205	7/8	124603	LF-SC-014	124623	LF-SC-014-NL
	15/16	124604	LF-SC-015	124624	LF-SC-015-NL
	1	124605	LF-SC-100	124625	LF-SC-100-NL
	25 mm	@	LF-SC-25M	@	LF-SC-25M-NL
206	1-1/16	124606	LF-SC-101	124626	LF-SC-101-NL
	1-1/8	124607	LF-SC-102	124627	LF-SC-102-NL
	1-3/16	124608	LF-SC-103	124628	LF-SC-103-NL
	1-1/4	124609	LF-SC-104S	124629	LF-SC-104S-NL
	30 mm	@	LF-SC-30M	@	LF-SC-30M-NL
207	1-1/4	124610	LF-SC-104	124630	LF-SC-104-NL
	1-5/16	124611	LF-SC-105	124631	LF-SC-105-NL
	1-3/8	124612	LF-SC-106	124632	LF-SC-106-NL
	1-7/16	124613	LF-SC-107	124633	LF-SC-107-NL
	35 mm	@	LF-SC-35M	@	LF-SC-35M-NL

@ Assembled to order.

FEATURES/BENEFITS PAGE B3-2	NOMENCLATURE PAGE B3-6	SELECTION PAGE B3-6	MODIFICATION/ACCESSORIES PAGE B3-132
--------------------------------	---------------------------	------------------------	---

SELECTION/DIMENSIONS



Setscrew Ball Bearings SC LF NORMAL DUTY 3-BOLT FLANGE BEARINGS

Series	Shaft Size	Weight lbs kg	A	B	C	D	G	H	J	L	M	N
203	1/2	0.65	1	3-3/16	1-3/64	2-1/2	9/32	3/8	21/64	31/32	1-19/32	1-27/32
	5/8	0.60										
	17 mm	0.29	25.4	81.0	27.0	63.5	7.5	9.5	8.7	24.6	40.5	46.8
204	3/4	0.85	1-5/32	3-9/16	1-7/32	2-13/16	23/64	27/64	3/8	1-1/8	1-25/32	1-37/64
	20 mm	0.38	29.4	90.5	31.0	71.4	9.1	10.7	9.5	28.6	45.2	40.1
205	7/8	1.10	1-3/16	3-3/4	1-1/4	3	11/32	27/64	3/8	1-21/64	1-7/8	1-45/64
	15/16	1.05										
	1	1.00										
206	25 mm	0.47	30.2	95.3	31.8	76.2	8.7	10.7	10.3	33.7	47.6	43.3
	1-1/16	1.65	1-25/64	4-7/16	1-15/32	3-9/16	13/32	15/32	15/32	1-37/64	2-7/32	2-1/64
	1-1/8	1.60										
	1-3/16	1.55										
207	1 -/4	1.50										
	30 mm	0.70	35.3	112.7	37.3	90.5	10.3	11.9	13.5	40.1	56.4	51.2
	1-1/4	2.10	1-17/32	4-13/16	1-19/32	3-15/16	13/32	1/2	17/32	1-27/32	2-13/32	2-9/64
207	1-5/16	2.05										
	1-3/8	2.00										
	1-7/16	1.95										
	35 mm	0.90	38.9	122.2	40.5	100.0	10.3	12.7	13.5	46.8	61.1	54.4

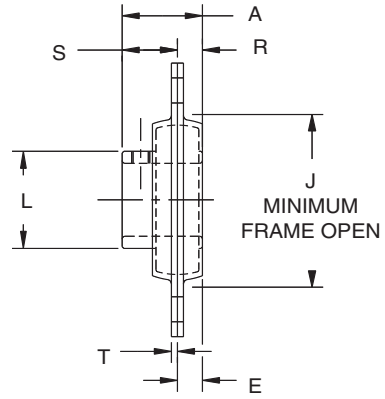
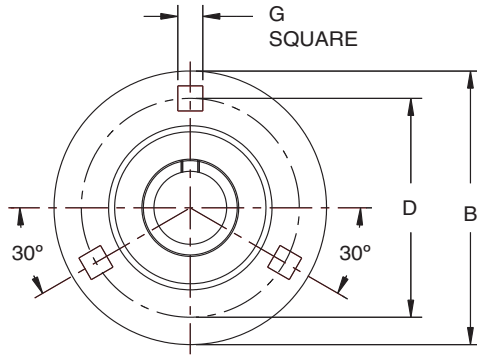
* No lube fitting required in the SC LFT No Lube

FEATURES/BENEFITS PAGE B3-2	NOMENCLATURE PAGE B3-6	SELECTION PAGE B3-6	MODIFICATION/ACCESSORIES PAGE B3-132
--------------------------------	---------------------------	------------------------	---

SELECTION/DIMENSIONS



Setscrew Ball Bearings SL LIGHT DUTY 3-BOLT FLANGE BEARINGS



Series	Shaft Size	Part No.	Description
204	3/4	128083	F3B-SL-012
	20mm	@	F3B-SL-20M
205	7/8	128178	F3B-SL-014
	15/16	128179	F3B-SL-015
	1	128084	F3B-SL-100
	25mm	@	F3B-SL-25M
206	1-1/8	128180	F3B-SL-102
	1-3/16	128085	F3B-SL-103
	1-1/4	128082	F3B-SL-104S
	30mm	@	F3B-SL-30M
207	1-1/4	128086	F3B-SL-104
	1-3/8	128181	F3B-SL-106
	1-7/16	128087	F3B-SL-107
	35mm	@	F3B-SL-35M

@ Assembled to order.

FEATURES/BENEFITS PAGE B3-2	NOMENCLATURE PAGE B3-6	SELECTION PAGE B3-6	MODIFICATION/ACCESSORIES PAGE B3-132
--------------------------------	---------------------------	------------------------	---

SELECTION/DIMENSIONS



Setscrew Ball Bearings SL LIGHT DUTY 3-BOLT FLANGE BEARINGS

Bearing Quick Reference

E-Z KLEEN

GRIP TIGHT Adapter Ball Bearing

Setscrew Ball Bearing

Eccentric Collar Ball Bearing

Series	Shaft Size	Weight lbs. kg	A	B	D	E	G*	J	L	R	S	T	Housing Radial Load Rating (lbs) N
204	3/4	0.74	1-1/16	3-9/16	2-13/16	5/16	11/32	2-3/16	1-1/8	21/64	47/64	0.083	700
	20mm	0.33	27.0	90.5	71.4	7.9	8.7	55.6	90.5	71.4	7.9	2.1	3,112
205	7/8	1.01	1-3/32	3-3/4	3	11/32	11/32	2-3/8	1-21/64	21/64	49/64	0.083	800
	15/16	0.97											
	1	0.85											
206	25mm	0.43	27.8	95.3	76.2	8.7	8.7	60.3	33.7	8.3	19.4	2.1	3,557
	1-1/8	1.39	1-19/64	4-7/16	3-9/16	11/32	13/32	2-13/16	1-37/64	25/64	29/32	0.104	1,100
	1-3/16	1.36											
	1-1/4	1.34											
207	30mm	0.61	32.9	112.7	90.5	8.7	10.3	71.4	40.1	9.9	23.0	2.6	4,891
	1-1/4	1.89	1-7/16	4-15/16	3-15/16	7/16	13/32	3-3/16	1-27/32	13/32	1-1/32	0.104	1,400
	1-3/8	1.86											
	1-7/16	1.73											
	35mm	0.83	36.5	125.4	100.1	11.1	10.3	81.0	46.8	10.3	26.2	2.6	6,225

* Mounting bolt holes will accept either carriage or machine bolts.

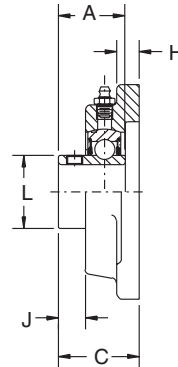
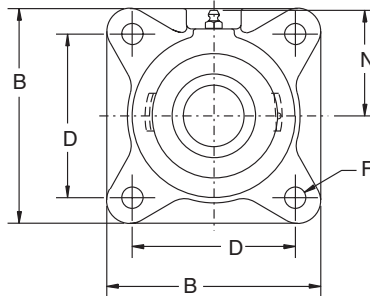
FEATURES/BENEFITS PAGE B3-2	NOMENCLATURE PAGE B3-6	SELECTION PAGE B3-6	MODIFICATION/ACCESSORIES PAGE B3-132
--------------------------------	---------------------------	------------------------	---

SELECTION/DIMENSIONS



Setscrew Ball Bearings SC NORMAL DUTY 4-BOLT FLANGE BEARINGS

Lube Fitting Thread Size:
203 series - 1/4-28 tapered thread
204 series and larger - 1/8-27 NPT



Series	Shaft Size	Standard		No-Lube/Sealed for Life (-NL)		With Flingers	
		Part No.	Description	Part No.	Description	Part No.	Description
203	1/2	124048	F4B-SC-008	@	F4B-SC-008-NL	@	F4B-SC-008-FF
	5/8	124049	F4B-SC-010	@	F4B-SC-010-NL	@	F4B-SC-010-FF
	17mm	125885	F4B-SC-17M	@	F4B-SC-17M-NL	@	F4B-SC-17M-FF
204	1/2	124098	F4B-SC-008L	@	F4B-SC-008L-NL	@	F4B-SC-008L-FF
	5/8	124099	F4B-SC-010L	@	F4B-SC-010L-NL	054528	F4B-SC-010L-FF
	3/4	124100	F4B-SC-012	052010	F4B-SC-012-NL	050917	F4B-SC-012-FF
	13/16	124567	F4B-SC-013	@	F4B-SC-013-NL	@	F4B-SC-013-FF
	20mm	125886	F4B-SC-20M	@	F4B-SC-20M-NL	@	F4B-SC-20M-FF
205	7/8	124101	F4B-SC-014	@	F4B-SC-014-NL	@	F4B-SC-014-FF
	15/16	124102	F4B-SC-015	126524	F4B-SC-015-NL	@	F4B-SC-015-FF
	1	124103	F4B-SC-100	126525	F4B-SC-100-NL	123007	F4B-SC-100-FF
	25mm	125887	F4B-SC-25M	@	F4B-SC-25M-NL	@	F4B-SC-25M-FF
206	1-1/16	124218	F4B-SC-101	@	F4B-SC-101-NL	@	F4B-SC-101-FF
	1-1/8	124204	F4B-SC-102	126526	F4B-SC-102-NL	125156	F4B-SC-102-FF
	1-3/16	124205	F4B-SC-103	050834	F4B-SC-103-NL	125148	F4B-SC-103-FF
	1-1/4	123173	F4B-SC-104S	051987	F4B-SC-104S-NL	@	F4B-SC-104S-FF
	30mm	125888	F4B-SC-30M	@	F4B-SC-30M-NL	@	F4B-SC-30M-FF
207	1-1/4	124206	F4B-SC-104	126528	F4B-SC-104-NL	052508	F4B-SC-104-FF
	1-5/16	124219	F4B-SC-105	@	F4B-SC-105-NL	@	F4B-SC-105-FF
	1-3/8	124207	F4B-SC-106	052009	F4B-SC-106-NL	056757	F4B-SC-106-FF
	1-7/16	124208	F4B-SC-107	050835	F4B-SC-107-NL	057696	F4B-SC-107-FF
	35mm	125889	F4B-SC-35M	@	F4B-SC-35M-NL	@	F4B-SC-35M-FF

@ Assembled to order

FEATURES/BENEFITS PAGE B3-2	NOMENCLATURE PAGE B3-6	SELECTION PAGE B3-6	MODIFICATION/ACCESSORIES PAGE B3-132
--------------------------------	---------------------------	------------------------	---

SELECTION/DIMENSIONS



Setscrew Ball Bearings SC NORMAL DUTY 4-BOLT FLANGE BEARINGS

Series	Shaft Size	Weight lbs. kgs.	A	B	C	D	F Bolt Dia.	H	J	L	N
203	1/2	1.1	1	3	1-3/16	2-1/8	3/8	7/16	11/32	31/32	1-11/16
	5/8	1.0									
	17mm	0.5	25.4	76.2	30.2	54.0	M10	11.1	8.7	24.6	42.9
204	1/2	1.8	1-5/32	3-3/8	1-3/8	2-1/2	3/8	7/16	25/64	1-1/8	1-15/16
	5/8	1.7									
	3/4	1.6									
	13/16	1.5									
205	20mm	0.8	29.4	85.7	34.9	63.5	M10	11.1	9.9	28.6	49.2
	7/8	2.0	1-3/16	3-3/4	1-23/64	2-3/4	7/16	1/2	25/64	1-21/64	2-1/16
	15/16	1.9									
206	1	1.8									
	25mm	0.9	30.2	95.3	34.5	69.9	M10	12.7	9.9	33.7	52.4
	1-1/16	2.9	1-25/64	4-1/4	1-17/32	3-1/4	7/16	1/2	15/32	1-37/64	2-3/16
	1-1/8	2.8									
	1-3/16	2.7									
207	1-1/4	4.0	1-17/32	4-3/4	1-3/4	3-5/8	1/2	9/16	17/32	1-27/32	2-7/16
	30mm	1.3	35.3	108.0	38.9	82.6	M10	12.7	11.9	40.1	55.6
	1-1/4	3.9									
	1-3/8	3.8									
207	1-7/16	3.7									
	35mm	1.7	38.9	120.7	44.5	92.1	M12	14.3	13.5	46.8	61.9

FEATURES/BENEFITS PAGE B3-2	NOMENCLATURE PAGE B3-6	SELECTION PAGE B3-6	MODIFICATION/ACCESSORIES PAGE B3-132
--------------------------------	---------------------------	------------------------	---

SELECTION/DIMENSIONS

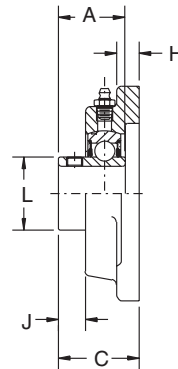
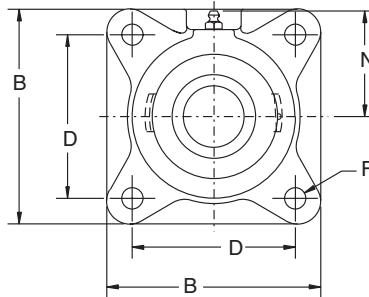


Setscrew Ball Bearings SC NORMAL DUTY 4-BOLT FLANGE BEARINGS

Lube Fitting Thread Size:

203 series - 1/4-28 tapered thread

204 series and larger - 1/8-27 NPT



Series	Shaft Size	Standard		No-Lube/Sealed for Life (-NL)		With Flingers	
		Part No.	Description	Part No.	Description	Part No.	Description
208	1-1/2	124209	F4B-SC-108	051991	F4B-SC-108-NL	054523	F4B-SC-108-FF
	1-5/8	124210	F4B-SC-110	052008	F4B-SC-110-NL	@	F4B-SC-110-FF
	40mm	125890	F4B-SC-40M	@	F4B-SC-40M-NL	@	F4B-SC-40M-FF
209	1-5/8	125170	F4B-SC-110L	@	F4B-SC-110L-NL	@	F4B-SC-110L-FF
	1-11/16	124211	F4B-SC-111	064214	F4B-SC-111-NL	057850	F4B-SC-111-FF
	1-3/4	124212	F4B-SC-112	126531	F4B-SC-112-NL	054839	F4B-SC-112-FF
	45mm	125891	F4B-SC-45M	@	F4B-SC-45M-NL	@	F4B-SC-45M-FF
210	1-15/16	124213	F4B-SC-115	051992	F4B-SC-115-NL	124564	F4B-SC-115-FF
	2	124214	F4B-SC-200	050867	F4B-SC-200-NL	050169	F4B-SC-200-FF
	50mm	125892	F4B-SC-50M	@	F4B-SC-50M-NL	@	F4B-SC-50M-FF
211	2	126192	F4B-SCM-200	052004	F4B-SCM-200-NL	126132	F4B-SCM-200-FF
	2-3/16	124215	F4B-SC-203	052007	F4B-SC-203-NL	124921	F4B-SC-203-FF
	2-1/4	124216	F4B-SC-204	052006	F4B-SC-204-NL	@	F4B-SC-204-FF
	55mm	125893	F4B-SC-55M	@	F4B-SC-55M-NL	@	F4B-SC-55M-FF
212	2-1/4	126283	F4B-SCM-204	126537	F4B-SCM-204-NL	054482	F4B-SCM-204-FF
	2-7/16	124217	F4B-SC-207	050843	F4B-SC-207-NL	124728	F4B-SC-207-FF
	60mm	125894	F4B-SC-60M	@	F4B-SC-60M-NL	@	F4B-SC-60M-FF
214	2-1/2	126195	F4B-SCM-208	@	F4B-SCM-208-NL	126326	F4B-SCM-208-FF
	2-11/16	124261	F4B-SC-211	@	F4B-SC-211-NL	064453	F4B-SC-211-FF
	70mm	125895	F4B-SC-70M	@	F4B-SC-70M-NL	@	F4B-SC-70M-FF
215	2-15/16	124220	F4B-SC-215	052291	F4B-SC-215-NL	@	F4B-SC-215-FF
	75mm	125896	F4B-SC-75M	@	F4B-SC-75M-NL	@	F4B-SC-75M-FF

@ Assembled to order

FEATURES/BENEFITS PAGE B3-2	NOMENCLATURE PAGE B3-6	SELECTION PAGE B3-6	MODIFICATION/ACCESSORIES PAGE B3-132
--------------------------------	---------------------------	------------------------	---

SELECTION/DIMENSIONS



Setscrew Ball Bearings SC NORMAL DUTY 4-BOLT FLANGE BEARINGS

Series	Shaft Size	Weight lbs. kgs.	A	B	C	D	F Bolt Dia.	H	J	L	N
208	1-1/2	4.8	1-11/16	5-1/8	1-7/8	4	1/2	9/16	17/32	2-3/64	2-3/8
	1-5/8	4.7									
	40mm	2.1	42.9	130.2	47.6	101.6	M12	14.3	13.5	52.0	60.3
209	1-5/8	6.1	1-23/32	5-3/8	1-15/16	4-1/8	1/2	5/8	17/32	2-7/32	2-3/4
	1-11/16	6.0									
	1-3/4	5.9									
	45mm	2.7	43.7	136.5	49.2	104.8	M14	15.9	13.5	56.4	69.9
210	1-15/16	6.7	1-3/4	5-5/8	2	4-3/8	1/2	5/8	17/32	2-7/16	2-7/8
	2	6.6									
	50mm	3.0	44.5	142.9	50.8	111.1	M16	15.9	13.5	61.9	73.0
211	2	9.3	1-27/32	6-1/2	2-5/32	5-1/8	5/8	11/16	9/16	2-23/32	3-1/4
	2-3/16	9.0									
	2-1/4	8.9									
	55mm	4.1	46.8	165.1	54.8	130.2	M16	17.5	14.3	69.1	82.6
212	2-1/4	11.1	1-63/64	6-7/8	2-9/32	5-5/8	5/8	11/16	9/16	2-31/32	3-1/2
	2-7/16	10.6									
	60mm	6.0	50.4	174.6	57.9	142.9	M16	17.5	14.3	75.4	88.9
214	2-1/2	16.0	2-15/64	7-3/8	2-3/4	5-7/8	5/8	11/16	9/16	3-5/16	3-11/16
	2-11/16	15.4									
	70mm	6.9	56.8	187.3	69.9	149.2	M16	17.5	14.3	84.1	93.7
215	2-15/16	17.6	2-9/32	7-3/4	2-57/64	6	3/4	1	41/64	3-5/8	3-7/8
	75mm	8.0	57.9	196.9	73.4	152.4	M18	25.4	16.3	92.1	98.4

FEATURES/BENEFITS PAGE B3-2	NOMENCLATURE PAGE B3-6	SELECTION PAGE B3-6	MODIFICATION/ACCESSORIES PAGE B3-132
--------------------------------	---------------------------	------------------------	---

SELECTION/DIMENSIONS



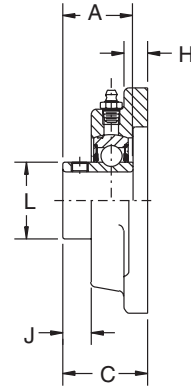
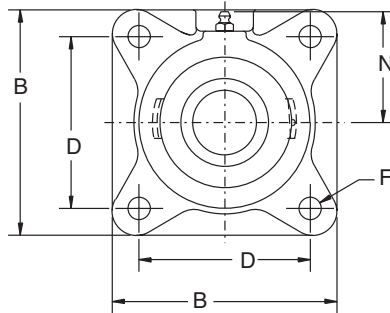
Setscrew Ball Bearings

SCAH NORMAL DUTY AIR HANDLING 4-BOLT FLANGE BEARINGS

Lube Fitting Thread Size:

203 series - 1/4-28 tapered thread

204 series and larger - 1/8-27 NPT



Series	Shaft Size	Part No.	Description
204	1/2	051931	F4B-SCAH-008L
	5/8	050130	F4B-SCAH-010L
	3/4	123740	F4B-SCAH-012
	20mm	@	F4B-SCAH-20M
205	7/8	@	F4B-SCAH-014
	15/16	124246	F4B-SCAH-015
	1	123741	F4B-SCAH-100
	25mm	058736	F4B-SCAH-25M
206	1-1/16	@	F4B-SCAH-101
	1-1/8	064335	F4B-SCAH-102
	1-3/16	123742	F4B-SCAH-103
	1-1/4	@	F4B-SCAH-104S
207	30mm	054726	F4B-SCAH-30M
	1-1/4	123743	F4B-SCAH-104
	1-5/16	@	F4B-SCAH-105
	1-3/8	@	F4B-SCAH-106
208	1-7/16	123744	F4B-SCAH-107
	35mm	@	F4B-SCAH-35M
	1-1/2	123745	F4B-SCAH-108
	1-5/8	@	F4B-SCAH-110
	40mm	@	F4B-SCAH-40M

@ Assembled to order

SELECTION/DIMENSIONS



Setscrew Ball Bearings

SCAH NORMAL DUTY AIR HANDLING 4-BOLT FLANGE BEARINGS

Series	Shaft Size	Weight lbs. kgs	A	B	C	D	F Bolt Dia.	H	J	L	N
204	1/2	1.8	1-5/32	3-3/8	1-3/8	2-1/2	3/8	7/16	25/64	1-1/8	1-15/16
	5/8	1.7									
	3/4	1.6									
	20mm	0.8	29.4	85.7	34.9	63.5	M10	11.1	9.9	28.6	49.2
205	7/8	2.0	1-3/16	3-3/4	1-23/64	2-3/4	7/16	1/2	25/64	1-21/64	2-1/6
	15/16	1.9									
	1	1.8									
	25mm	0.9	30.2	95.3	34.5	69.9	M110	12.7	9.9	33.7	52.4
206	1-1/16	2.9	1-25/64	4-1/4	1-17/32	3-1/4	7/16	1/2	15/32	1-37/64	2-3/16
	1-1/8	2.8									
	1-3/16	2.7									
	30mm	1.3	35.3	108.0	38.9	82.6	M10	12.7	11.9	40.1	55.6
207	1-1/4	4.0	1-17/32	4-3/4	1-3/4	3-5/8	1/2	9/16	17/32	1-27/32	2-7/16
	1-5/16	3.9									
	1-3/8	3.8									
	35mm	1.7	38.9	120.7	44.5	92.1	M12	14.3	13.5	46.8	61.9
208	1-1/2	4.8	1-11/16	5-1/8	1-7/8	4	1/2	9/16	17/32	2-3/64	2-3/8
	1-5/8	4.7									
	40mm	2.1	42.9	130.2	47.6	101.6	M12	14.3	13.5	52.0	60.3

FEATURES/BENEFITS PAGE B3-2	NOMENCLATURE PAGE B3-6	SELECTION PAGE B3-6	MODIFICATION/ACCESSORIES PAGE B3-132
--------------------------------	---------------------------	------------------------	---

SELECTION/DIMENSIONS



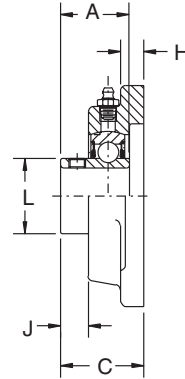
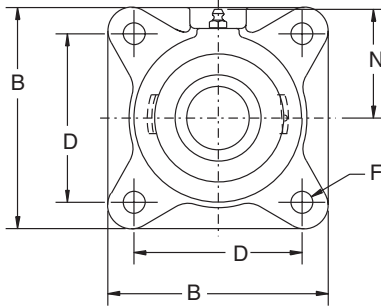
Setscrew Ball Bearings

SCAH NORMAL DUTY AIR HANDLING 4-BOLT FLANGE BEARINGS

Lube Fitting Thread Size:

203 series - 1/4-28 tapered thread

204 series and larger - 1/8-27 NPT



Series	Shaft Size	Part No.	Description
209	1-5/8	@	F4B-SCAH-110L
	1-11/16	123746	F4B-SCAH-111
	1-3/4	123747	F4B-SCAH-112
	45mm	@	F4B-SCAH-45M
210	1-15/16	123748	F4B-SCAH-115
	2	@	F4B-SCAH-200
	50mm	@	F4B-SCAH-50M
211	2	@	F4B-SCMAH-200
	2-3/16	123749	F4B-SCAH-203
	2-1/4	@	F4B-SCAH-204
	55mm	@	F4B-SCAH-55M
212	2-1/4	@	F4B-SCMAH-204
	2-7/16	123750	F4B-SCAH-207
	60mm	@	F4B-SCAH-60M
214	2-1/2	050662	F4B-SCMAH-208
	2-11/16	124395	F4B-SCAH-211
	70mm	@	F4B-SCAH-70M
215	2-15/16	123751	F4B-SCAH-215
	75mm	@	F4B-SCAH-75M

@ Assembled to order

SELECTION/DIMENSIONS



Setscrew Ball Bearings SCAH NORMAL DUTY AIR HANDLING 4-BOLT FLANGE BEARINGS

Series	Shaft Size	Weight lbs. kgs	A	B	C	D	F Bolt Dia.	H	J	L	N
209	1-5/8	6.1	1-23/32	5-3/8	1-15/16	4-1/8	1/2	5/8	17/32	2-7/32	2-3/4
	1-11/16	6.0									
	1-3/4	5.9									
	45mm	2.7	43.7	136.5	49.2	104.8	M14	15.9	13.5	56.4	69.9
210	1-15/16	6.7	1-3/4	5-5/8	2	4-3/8	1/2	5/8	17/32	2-7/16	2-7/8
	2	6.6									
	50mm	3.0	44.5	142.9	50.8	111.1	M16	15.9	13.5	61.9	73.0
211	2	9.3	1-27/32	6-1/2	2-5/32	5-1/8	5/8	11/16	9/16	2-23/32	3-1/4
	2-3/16	9.0									
	2-1/4	8.9									
	55mm	4.1	46.8	165.1	54.8	130.2	M16	17.5	14.3	69.1	82.6
212	2-1/4	11.1	1-63/64	6-7/8	2-9/32	5-5/8	5/8	11/16	9/16	2-31/32	3-1/2
	2-7/16	10.6									
	60mm	6.0	50.4	174.6	57.9	142.9	M16	7.5	14.3	75.4	88.9
214	2-1/2	16.0	2-15/64	7-3/8	2-3/4	5-7/8	5/8	11/16	9/16	3-5/16	3-11/16
	2-11/16	15.4									
	70mm	6.9	56.8	187.3	69.9	149.2	M16	17.5	14.3	84.1	93.7
215	2-15/16	17.6	2-9/32	7-3/4	2-57/64	6	3/4	1	41/64	3-5/8	3-7/8
	75mm	8.0	57.9	196.9	73.4	152.4	M18	25.4	16.3	92.1	98.4

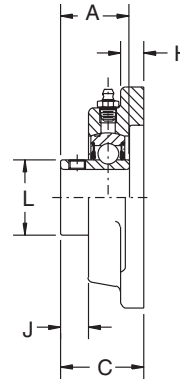
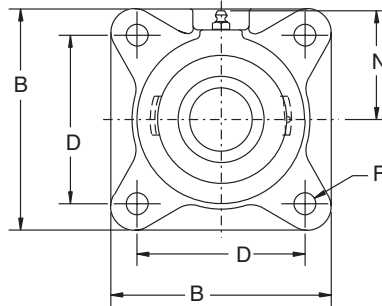
FEATURES/BENEFITS PAGE B3-2	NOMENCLATURE PAGE B3-6	SELECTION PAGE B3-6	MODIFICATION/ACCESSORIES PAGE B3-132
--------------------------------	---------------------------	------------------------	---

SELECTION/DIMENSIONS



Setscrew Ball Bearings SCM MEDIUM DUTY 4-BOLT FLANGE BEARINGS

Lube Fitting Thread Size:
203 series - 1/4-28 tapered thread
204 series and larger - 1/8-27 NPT



Series	Shaft Size	Standard		No-Lube/Sealed for Life (-NL)		With Flingers	
		Part No.	Description	Part No.	Description	Part No.	Description
206	1 25mm	126226	F4B-SCM-100	052017	F4B-SCM-100-NL	@	F4B-SCM-100-FF
		125965	F4B-SCM-25M	@	F4B-SCM-25M-NL	@	F4B-SCM-25M-FF
207	1-3/16 1-1/4 30mm	126227	F4B-SCM-103	@	F4B-SCM-103-NL	064681	F4B-SCM-103-FF
		124206	F4B-SC-104	126528	F4B-SC-104-NL	052508	F4B-SC-104-FF
		125966	F4B-SCM-30M	@	F4B-SCM-30M-NL	@	F4B-SCM-30M-FF
208	1-7/16 35mm	126187	F4B-SCM-107	@	F4B-SCM-107-NL	053197	F4B-SCM-107-FF
		125967	F4B-SCM-35M	@	F4B-SCM-35M-NL	@	F4B-SCM-35M-FF
209	1-1/2 1-5/8 40mm	126188	F4B-SCM-108	062897	F4B-SCM-108-NL	054856	F4B-SCM-108-FF
		125170	F4B-SC-110L	@	F4B-SC-110L-NL	@	F4B-SC-110L-FF
		125968	F4B-SCM-40M	@	F4B-SCM-40M-NL	@	F4B-SCM-40M-FF
210	1-11/16 1-3/4 45mm	126189	F4B-SCM-111	@	F4B-SCM-111-NL	050137	F4B-SCM-111-FF
		126190	F4B-SCM-112	@	F4B-SCM-112-NL	126274	F4B-SCM-112-FF
		125969	F4B-SCM-45M	@	F4B-SCM-45M-NL	@	F4B-SCM-45M-FF
211	1-15/16 2 50mm	126191	F4B-SCM-115	052302	F4B-SCM-115-NL	126115	F4B-SCM-115-FF
		126192	F4B-SCM-200	052004	F4B-SCM-200-NL	126132	F4B-SCM-200-FF
		125970	F4B-SCM-50M	@	F4B-SCM-50M-NL	@	F4B-SCM-50M-FF
212	2-3/16 2-1/4 55mm	126193	F4B-SCM-203	052003	F4B-SCM-203-NL	050276	F4B-SCM-203-FF
		126283	F4B-SCM-204	126537	F4B-SCM-204-NL	054482	F4B-SCM-204-FF
		125971	F4B-SCM-55M	@	F4B-SCM-55M-NL	@	F4B-SCM-55M-FF
214	2-7/16 2-1/2 65mm	126194	F4B-SCM-207	052002	F4B-SCM-207-NL	126116	F4B-SCM-207-FF
		126195	F4B-SCM-208	@	F4B-SCM-208-NL	126326	F4B-SCM-208-FF
		125972	F4B-SCM-65M	@	F4B-SCM-65M-NL	@	F4B-SCM-65M-FF
215	2-11/16 70mm	126186	F4B-SCM-211	@	F4B-SCM-211-NL	064715	F4B-SCM-211-FF
		125973	F4B-SCM-70M	@	F4B-SCM-70M-NL	@	F4B-SCM-70M-FF
216	2-15/16 3 75mm	126196	F4B-SCM-215	126538	F4B-SCM-215-NL	051599	F4B-SCM-215-FF
		126197	F4B-SCM-300	126539	F4B-SCM-300-NL	126781	F4B-SCM-300-FF
		125974	F4B-SCM-75M	@	F4B-SCM-75M-NL	@	F4B-SCM-75M-FF
218	3-7/16 3-1/2 85mm	126198	F4B-SCM-307	126540	F4B-SCM-307-NL	126271	F4B-SCM-307-FF
		126199	F4B-SCM-308	126541	F4B-SCM-308-NL	056713	F4B-SCM-308-FF
		125975	F4B-SCM-85M	@	F4B-SCM-85M-NL	@	F4B-SCM-85M-FF

@ Assembled to order

FEATURES/BENEFITS PAGE B3-2	NOMENCLATURE PAGE B3-6	SELECTION PAGE B3-6	MODIFICATION/ACCESSORIES PAGE B3-132
--------------------------------	---------------------------	------------------------	---

SELECTION/DIMENSIONS



Setscrew Ball Bearings SCM MEDIUM DUTY 4-BOLT FLANGE BEARINGS

Series	Shaft Size	Weight lbs. kgs.	A	B	C	D	F Bolt Dia.	H	J	L	N
206	1	3.0	1-25/64	4-1/4	1-17/32	3-1/4	7/16	1/2	15/32	1-37/64	2-3/16
	25mm	1.3	35.3	108.0	38.9	82.6	M10	12.7	11.9	40.1	55.6
207	1-3/16	4.1	1-17/32	4-3/4	1-3/4	3-5/8	1/2	9/16	17/32	1-27/32	2-7/16
	1-1/4 30mm	4.0 1.4	38.9	120.7	44.5	92.1	M12	14.3	13.5	46.8	61.9
208	1-7/16	5.0	1-11/16	5-1/8	1-7/8	4	1/2	9/16	17/32	2-3/64	2-3/8
	35mm	2.1	42.9	130.2	47.6	101.6	M12	14.3	13.5	52.0	60.3
209	1-1/2	6.1	1-23/32	5-3/8	1-15/16	4-1/8	1/2	5/8	17/32	2-7/32	2-3/4
	1-5/8 40mm	6.1 2.7	43.7	136.5	49.2	104.8	M14	15.9	13.5	56.4	69.9
210	1-11/16	7.1	1-3/4	5-5/8	2	4-3/8	1/2	5/8	17/32	2-7/16	2-7/8
	1-3/4 45mm	6.9 3.0	44.5	142.9	50.8	111.1	M16	15.9	13.5	61.9	73.0
211	1-15/16	9.5	1-27/32	6-1/2	2-5/32	5-1/8	5/8	11/16	9/16	2-23/32	3-1/4
	2 50mm	9.3 4.1	46.8	165.1	54.8	130.2	M16	17.5	14.3	69.1	82.6
212	2-3/16	11.3	1-63/64	6-7/8	2-9/32	5-5/8	5/8	11/16	9/16	2-31/32	3-1/2
	2-1/4 55mm	11.1 6.0	50.4	174.6	57.9	142.9	M16	17.5	14.3	75.4	88.9
214	2-7/16	16.2	2-15/64	7-3/8	2-3/4	5-7/8	5/8	11/16	9/16	3-5/16	3-11/16
	2-1/2 65mm	16.0 7.3	56.8	187.3	69.9	149.2	M16	17.5	14.3	84.1	93.7
215	2-11/16	18.3	2-9/32	7-3/4	2-57/64	6.0	3/4	1	41/64	3-5/8	3-7/8
	70mm	8.0	57.9	196.9	73.4	152.4	M18	25.4	16.3	92.1	98.4
216	2-15/16	21.5	2-11/32	7-3/4	3-3/32	6	3/4	7/8	19/32	3-53/64	4-3/32
	3 75mm	21.2 9.4	59.5	196.9	78.6	152.4	M18	22.2	15.1	97.2	104.0
218	3-7/16	28.0	2-31/64	8-7/16	3-11/32	6-3/4	3/4	1	9/16	4-23/64	4-5/8
	3-1/2 85mm	27.4 12.2	63.1	214.3	84.9	171.5	M18	25.4	14.3	110.7	117.5

FEATURES/BENEFITS PAGE B3-2	NOMENCLATURE PAGE B3-6	SELECTION PAGE B3-6	MODIFICATION/ACCESSORIES PAGE B3-132
--------------------------------	---------------------------	------------------------	---

SELECTION/DIMENSIONS



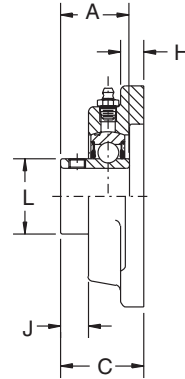
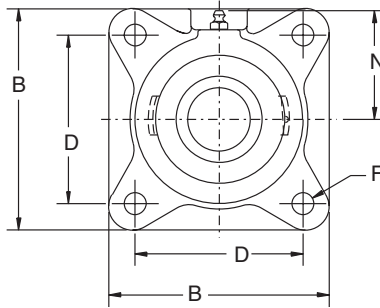
Setscrew Ball Bearings

SCMAH AIR HANDLING MEDIUM DUTY 4-BOLT FLANGE BEARINGS

Lube Fitting Thread Size:

203 series - 1/4-28 tapered thread

204 series and larger - 1/8-27 NPT



Series	Shaft Size	Part No.	Description
206	1	053901	F4B-SCMAH-100
	25mm	@	F4B-SCMAH-25M
207	1-3/16	050132	F4B-SCMAH-103
	1-1/4 30mm	123743 @	F4B-SCAH-104 F4B-SCMAH-30M
208	1-7/16 35mm	123760 @	F4B-SCMAH-107 F4B-SCMAH-35M
209	1-1/2	123761	F4B-SCMAH-108
	1-5/8 40mm	@ @	F4B-SCAH-110L F4B-SCMAH-40M
210	1-11/16	123762	F4B-SCMAH-111
	1-3/4 45mm	123763 @	F4B-SCMAH-112 F4B-SCMAH-45M
211	1-15/16	123764	F4B-SCMAH-115
	2 50mm	@ @	F4B-SCMAH-200 F4B-SCMAH-50M
212	2-3/16	123765	F4B-SCMAH-203
	2-1/4 55mm	064586 @	F4B-SCMAH-204 F4B-SCMAH-55M
214	2-7/16	123766	F4B-SCMAH-207
	2-1/2 65mm	050662 @	F4B-SCMAH-208 F4B-SCMAH-65M
215	2-11/16 70mm	123767 @	F4B-SCMAH-211 F4B-SCMAH-70M
216	2-15/16	123768	F4B-SCMAH-215
	3 75mm	@ @	F4B-SCMAH-300 F4B-SCM-75M
218	3-7/16	123769	F4B-SCMAH-307
	3-1/2 85mm	057709 @	F4B-SCMAH-308 F4B-SCMAH-85M

@ Assembled to order

FEATURES/BENEFITS
PAGE B3-2

NOMENCLATURE
PAGE B3-6

SELECTION
PAGE B3-6

MODIFICATION/ACCESSORIES
PAGE B3-132

SELECTION/DIMENSIONS



Setscrew Ball Bearings SCMAH AIR HANDLING MEDIUM DUTY 4-BOLT FLANGE BEARINGS

Series	Shaft Size	Weight lbs <i>kgs</i>	A	B	C	D	F Bolt Dia.	H	J	L	N
206	1	3.0	1-25/64	4-1/4	1-17/32	3-1/4	7/16	1/2	15/32	1-37/64	2-3/16
	25mm	1.3	35.3	108.0	38.9	82.6	M10	12.7	11.9	40.1	55.6
207	1-3/16	4.1	1-17/32	4-3/4	1-3/4	3-5/8	1/2	9/16	17/32	1-27/32	2-7/16
	1-1/4 30mm	1.7	38.9	120.7	44.5	92.1	M12	14.3	13.5	46.8	61.9
208	1-7/16	5.0	1-11/16	5-1/8	1-7/8	4	1/2	9/16	17/32	2-3/64	2-3/8
	35mm	2.1	42.9	130.2	47.6	101.6	M12	14.3	13.5	52.0	60.3
209	1-1/2	6.1	1-23/32	5-3/8	1-15/16	4-1/8	1/2	5/8	17/32	2-7/32	2-3/4
	1-5/8 40mm	2.7	43.7	136.5	49.2	104.8	M14	15.9	13.5	56.4	69.9
210	1-11/16	7.1	1-3/4	5-5/8	2	4-3/8	1/2	5/8	17/32	2-7/16	2-7/8
	1-3/4 45mm	3.0	44.5	142.9	50.8	111.1	M16	15.9	13.5	61.9	73.0
211	1-15/16	9.5	1-27/32	6-1/2	2-5/32	5-1/8	5/8	11/16	9/16	2-23/32	3-1/4
	2 50mm	4.1	46.8	165.1	54.8	130.2	M16	17.5	14.3	69.1	82.6
212	2-3/16	11.3	1-63/64	6-7/8	2-9/32	5-5/8	5/8	11/16	9/16	2-31/32	3-1/2
	2-1/4 55mm	6.0	50.4	174.6	57.9	142.9	M16	17.5	14.3	75.4	88.9
214	2-7/16	16.2	2-15/64	7-3/8	2-3/4	5-7/8	5/8	11/16	9/16	3-5/16	3-11/16
	2-1/2 65mm	7.3	56.8	187.3	69.9	149.2	M16	17.5	14.3	84.1	93.7
215	2-11/16	18.3	2-9/32	7-3/4	2-57/64	6	3/4	1	41/64	3-5/8	3-7/8
	70mm	8.0	57.9	196.9	73.4	152.4	M18	25.4	16.3	92.1	98.4
216	2-15/16	21.5	2-11/32	7-3/4	3-3/32	6	3/4	7/8	19/32	3-53/64	4-3/32
	3 75mm	9.4	59.5	196.9	78.6	152.4	M18	22.2	15.1	97.2	104.0
218	3-7/16	28.0	2-31/64	8-7/16	3-11/32	6-3/4	3/4	1	9/16	4-23/64	4-5/8
	3-1/2 85mm	12.2	63.1	214.3	84.9	171.5	M18	25.4	14.3	110.7	117.5

FEATURES/BENEFITS PAGE B3-2	NOMENCLATURE PAGE B3-6	SELECTION PAGE B3-6	MODIFICATION/ACCESSORIES PAGE B3-132
--------------------------------	---------------------------	------------------------	---

SELECTION/DIMENSIONS



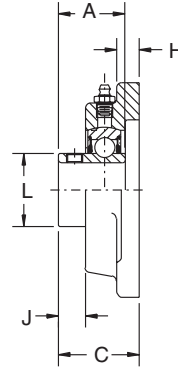
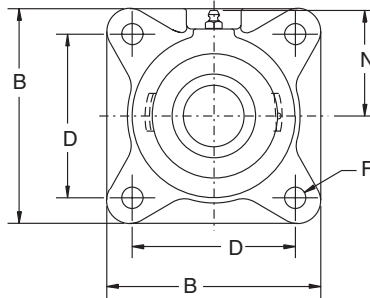
Setscrew Ball Bearings

VSC INTERMEDIATE DUTY 4-BOLT FLANGE BEARINGS

Lube Fitting Thread Size:

203 series - 1/4-28 tapered thread

204 series and larger - 1/8-27 NPT



Series	Shaft Size	Standard		No-Lube/Sealed for Life (-NL)	
		Part No.	Description	Part No.	Description
203	1/2	125524	F4B-VSC-008	@	F4B-VSC-008-NL
	5/8	125525	F4B-VSC-010	@	F4B-VSC-010-NL
	17mm	125694	F4B-VSC-17M	@	F4B-VSC-17MNL
204	3/4	123625	F4B-VSC-012	@	F4B-VSC-012-NL
	20mm	125695	F4B-VSC-20M	@	F4B-VSC-20M-NL
205	7/8	125526	F4B-VSC-014	@	F4B-VSC-014-NL
	15/16	125527	F4B-VSC-015	@	F4B-VSC-015-NL
	1	123626	F4B-VSC-100	062509	F4B-VSC-100-NL
	25mm	125696	F4B-VSC-25M	@	F4B-VSC-25M-NL
206	1-1/8	125528	F4B-VSC-102	@	F4B-VSC-102-NL
	1-3/16	123627	F4B-VSC-103	@	F4B-VSC-103-NL
	1-1/4	123634	F4B-VSC-104S	@	F4B-VSC-104S-NL
	30mm	125697	F4B-VSC-30M	@	F4B-VSC-30M-NL
207	1-1/4	123628	F4B-VSC-104	051891	F4B-VSC-104-NL
	1-3/8	125529	F4B-VSC-106	@	F4B-VSC-106-NL
	1-7/16	123629	F4B-VSC-107	050844	F4B-VSC-107-NL
	35mm	125698	F4B-VSC-40M	@	F4B-VSC-40M-NL
208	1-1/2	123630	F4B-VSC-108	051892	F4B-VSC-108-NL
	40mm	125699	F4B-VSC-40M	@	F4B-VSC-40M-NL
209	1-11/16	125530	F4B-VSC-111	050836	F4B-VSC-111-NL
	1-3/4	125531	F4B-VSC-112	@	F4B-VSC-112-NL
	45mm	125700	F4B-VSC-45M	@	F4B-VSC-45M-NL
210	1-15/16	123631	F4B-VSC-115	@	F4B-VSC-115-NL
	2	123632	F4B-VSC-200	@	F4B-VSC-200-NL
	50mm	125701	F4B-VSC-50M	@	F4B-VSC-50M-NL
211	2	123652	F4B-VSC-200L	@	F4B-VSC-200L-NL
	2-3/16	123633	F4B-VSC-203	@	F4B-VSC-203-NL
	55mm	125702	F4B-VSC-55M	@	F4B-VSC-55M-NL

@Assembled to order

FEATURES/BENEFITS PAGE B3-2	NOMENCLATURE PAGE B3-6	SELECTION PAGE B3-6	MODIFICATION/ACCESSORIES PAGE B3-132
--------------------------------	---------------------------	------------------------	---

SELECTION/DIMENSIONS



Setscrew Ball Bearings VSC INTERMEDIATE DUTY 4-BOLT FLANGE BEARINGS

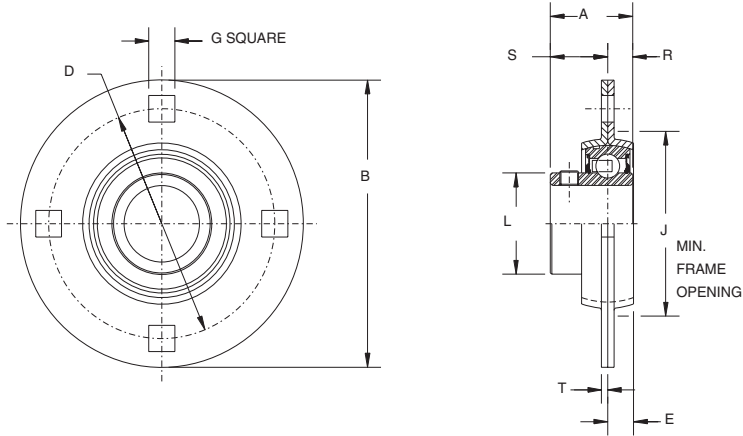
Series	Shaft Size	Weight lbs. kg	A	B	C	D	F Bolt Dia.	H	J	L	N
203	1/2	1.08	15/16	3	1-3/16	2-1/8	3/8	7/16	11/32	31/32	1-11/16
	5/8 17mm	1.00 0.48	23.8	76.2	30.2	54.0	M10	11.1	8.7	24.6	42.9
204	3/4	1.50	1-1/16	3-3/8	1-3/8	2-1/2	3/8	7/16	25/64	1-1/8	1-15/16
	20mm	0.67	27.0	85.7	34.9	63.5	M10	11.1	9.9	28.6	49.2
205	7/8	1.98	1-3/32	3-3/4	1-23/64	2-3/4	7/16	1/2	25/64	1-21/64	2-1/16
	15/16	1.86									
	1 25mm	1.62 0.84	27.8	95.3	34.5	69.9	M10	12.7	9.9	33.7	52.4
206	1-1/8	2.78	1-19/64	4-1/4	1-17/32	3-1/4	7/16	1/2	15/32	1-37/64	2-3/16
	1-3/16	2.68									
	1-1/4	2.50									
	30mm	1.19	32.9	108.0	38.9	82.6	M10	12.7	11.9	40.1	55.6
207	1-1/4	3.50	1-7/16	4-3/4	1-3/4	3-5/8	1/2	9/16	17/32	1-27/32	2-7/16
	1-3/8	2.88									
	1-7/16	2.50									
	35mm	1.28	36.5	120.7	44.5	92.1	M12	14.3	13.5	46.8	61.9
208	1-1/2	4.50	1-9/16	5-1/8	1-7/8	4	1/2	9/16	17/32	2-3/64	2-3/8
	40mm	2.00	39.7	130.2	47.6	101.6	M12	14.3	13.5	52.0	60.3
209	1-11/16	5.45	1-19/32	5-3/8	1-15/16	4-1/8	1/2	5/8	17/32	2-7/32	2-3/4
	1-3/4	5.35									
	45mm	2.42	40.5	136.5	49.2	104.8	M14	15.9	13.5	56.4	69.9
210	1-15/16	6.25	1-5/8	5-5/8	2	4-3/8	1/2	5/8	17/32	2-7/16	2-7/8
	2	6.00									
	50mm	2.33	41.3	142.9	50.8	111.1	M16	15.9	13.5	61.9	73.0
211	2	9.28	1-23/32	6-1/2	2-5/32	5-1/8	5/8	11/16	9/16	2-23/32	3-1/4
	2-3/16	9.00									
	55mm	4.12	43.7	165.1	54.8	130.2	M16	17.5	14.3	69.1	82.6

FEATURES/BENEFITS PAGE B3-2	NOMENCLATURE PAGE B3-6	SELECTION PAGE B3-6	MODIFICATION/ACCESSORIES PAGE B3-132
--------------------------------	---------------------------	------------------------	---

SELECTION/DIMENSIONS



Setscrew Ball Bearings SL LIGHT DUTY 4-BOLT FLANGE BEARINGS



Series	Shaft Size	Part No.	Description
208	1-1/2 40mm	128088 @	F4B-SL-108 F4B-SL-40M
210	1-15/16 2 50mm	128089 128090 @	F4B-SL-115 F4B-SL-200 F4B-SL-50M
211	2 2-3/16 55mm	128182 128091 @	F4B-SL-200L F4B-SL-203 F4B-SL-55M

@ Assembled to order

FEATURES/BENEFITS PAGE B3-2	NOMENCLATURE PAGE B3-6	SELECTION PAGE B3-6	MODIFICATION/ACCESSORIES PAGE B3-132
--------------------------------	---------------------------	------------------------	---

SELECTION/DIMENSIONS



Setscrew Ball Bearings SL LIGHT DUTY 4-BOLT FLANGE BEARINGS

Bearing Quick Reference

E-Z KLEEN

GRIP TIGHT Adapter Ball Bearing

Setscrew Ball Bearing

Eccentric Collar Ball Bearing

Series	Shaft Size	Weight lbs. kg.	A	B	D	E	G*	J	L	R	S	T	Housing Radial Load Rating (lbs)
208	1-1/2	2.64	1-9/16	5-13/16	4-11/16	13/32	17/32	3-9/16	2-3/64	15/32	13/32	0.134	1,700
	40mm	1.15	39.7	147.6	119.1	10.3	13.5	1.55	52.0	11.3	27.8	3.4	7,556
210	1-15/16	2.95	1-5/8	6-1/8	5	7/16	17/32	4	2-7/16	15/32	1-5/32	0.149	1,900
	2 50mm	2.86 1.28	41.3	155.6	127.0	11.1	13.5	1.74	61.9	11.3	29.4	3.8	8,444
211	2	3.73	1-23/32	6-9/16	5-7/16	15/32	17/32	4-7/16	2-23/32	1/2	1-7/32	0.149	2,300
	2-3/16 55mm	3.63 1.62	43.7	166.7	138.1	11.9	13.5	1.93	69.1	12.7	31.0	3.8	10,222

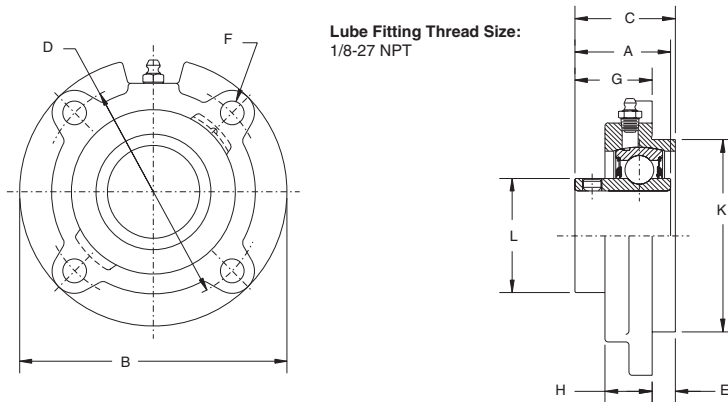
* Mounting bolt holes will accept either carriage or machine bolts.

FEATURES/BENEFITS PAGE B3-2	NOMENCLATURE PAGE B3-6	SELECTION PAGE B3-6	MODIFICATION/ACCESSORIES PAGE B3-132
--------------------------------	---------------------------	------------------------	---

SELECTION/DIMENSIONS



Setscrew Ball Bearings SC NORMAL DUTY PILOTED FLANGE BEARINGS



Lube Fitting Thread Size:
1/8-27 NPT

Series	Shaft Size	Part No.	Description
206	1-1/16	124578	FC-SC-101
	1-1/8	124582	FC-SC-102
	1-3/16	124579	FC-SC-103
	1-1/4	124587	FC-SC-104S
	30mm	125865	FC-SC-30M
207	1-1/4	124224	FC-SC-104
	1-5/16	124237	FC-SC-105
	1-3/8	124235	FC-SC-106
	1-7/16	124236	FC-SC-107
	35mm	125866	FC-SC-35M
208	1-1/2	124225	FC-SC-108
	1-5/8	124226	FC-SC-110
	40mm	125867	FC-SC-40M
209	1-5/8	@	FC-SC-110L
	1-11/16	124227	FC-SC-111
	1-3/4	124228	FC-SC-112
	45mm	125868	FC-SC-45M
210	1-15/16	124229	FC-SC-115
	2	124230	FC-SC-200
	50mm	125869	FC-SC-50M
211	2	126175	FC-SCM-200
	2-3/16	124231	FC-SC-203
	2-1/4	124232	FC-SC-204
	55mm	125870	FC-SC-55M
212	2-1/4	126177	FC-SCM-204
	2-7/16	124233	FC-SC-207
	60mm	125871	FC-SC-60M
214	2-1/2	126179	FC-SCM-208
	2-11/16	124729	FC-SC-211
	70mm	125872	FC-SC-70M

@ Assembled to order

FEATURES/BENEFITS
PAGE B3-2

NOMENCLATURE
PAGE B3-6

SELECTION
PAGE B3-6

MODIFICATION/ACCESSORIES
PAGE B3-132

SELECTION/DIMENSIONS



Setscrew Ball Bearings SC NORMAL DUTY PILOTED FLANGE BEARINGS

Series	Shaft Size	Weight - lbs. kgs.	A	B	C	D	D	E	F Bolt Dia.	G	H	K*	L
206	1-1/16	3.2	1-25/64	4-3/8	1-1/2	3-5/8	3-5/8	1/4	3/8	1-1/4	13/16	3	1-37/64
	1-1/8	3.1											
	1-3/16	3.0											
	1-1/4	2.9											
	30mm	1.3	35.3	111.1	38.1	92.1	92.1	6.4	M10	31.8	20.6	76.2	40.1
207	1-1/4	4.2	1-17/32	5	1-49/64	4-1/8	4-1/8	3/8	3/8	1-25/64	27/32	3-3/8	1-27/32
	1-5/16	4.1											
	1-3/8	4.0											
	1-7/16	3.9											
	35mm	1.8	38.9	127.0	44.8	104.8	104.8	9.5	M10	35.3	21.4	85.7	46.8
208	1-1/2	4.6	1-11/16	5-1/4	1-57/64	4-3/8	4-3/8	7/16	7/16	1-29/64	57/64	3-5/8	2-3/64
	1-5/8	4.5											
	40mm	2.0	42.9	133.4	48.0	111.1	111.1	11.1	M12	36.9	22.6	92.1	52.0
209	1-5/8	5.6	1-23/32	5-3/4	1-57/64	4-3/4	4-3/4	7/16	1/2	1-29/64	29/32	4	2-7/32
	1-11/16	5.5											
	1-3/4	5.4											
	45mm	2.4	43.7	146.1	48.0	120.7	120.7	11.1	M12	36.9	23.0	101.6	56.4
210	1-15/16	6.4	1-3/4	6-1/8	1-61/64	5-1/8	5-1/8	15/32	1/2	1-31/64	59/64	4-1/4	2-7/16
	2	6.3											
	50mm	2.9	44.5	155.6	49.6	130.2	130.2	11.9	M12	37.7	23.5	108.0	61.9
211	2	7.3	1-27/32	6-3/8	2-7/32	5-3/8	5-3/8	5/8	1/2	1-19/32	1	4-1/2	2-23/32
	2-3/16	7.2											
	2-1/4	7.1											
	55mm	3.3	46.8	161.9	56.4	136.5	136.5	15.9	M12	40.5	25.4	114.3	69.1
212	2-1/4	9.6	1-63/64	7-1/8	2-29/64	6	6	7/8	1/2	1-37/64	1	5	2-31/32
	2-7/16	9.5											
	60mm	4.3	50.4	181.0	62.3	152.40	152.40	22.2	M12	40.1	25.4	127.0	75.4
214	2-1/2	13.0	2-15/64	7-5/8	2-49/64	6-1/2	6-1/2	1-1/8	1/2	1-41/64	1-1/16	5-1/2	3-5/16
	2-11/16	12.9											
	70mm	5.5	56.8	193.7	70.2	165.1	165.1	28.6	M12	41.7	27.0	139.7	84.1

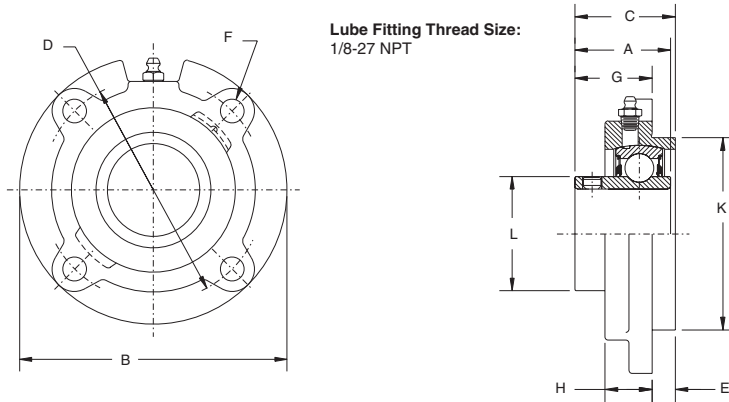
*+0.000, -0.002," * +0.00 -0.05mm

FEATURES/BENEFITS PAGE B3-2	NOMENCLATURE PAGE B3-6	SELECTION PAGE B3-6	MODIFICATION/ACCESSORIES PAGE B3-132
--------------------------------	---------------------------	------------------------	---

SELECTION/DIMENSIONS



Setscrew Ball Bearings SCM MEDIUM DUTY PILOTED FLANGE BEARINGS



Lube Fitting Thread Size:
1/8-27 NPT

Series	Shaft Size	Part No.	Description
206	1	126167	FC-SCM-100
	25mm	125940	FC-SCM-25M
207	1-3/16	126168	FC-SCM-103
	1-1/4	124224	FC-SC-104
	30mm	125941	FC-SCM-30M
208	1-7/16	126170	FC-SCM-107
	1-1/2	126171	FC-SCM-108
	35mm	125942	FC-SCM-35M
209	1-1/2	056492	FC-SCM-108L
	1-5/8	@	FC-SC-110L
	40mm	125943	FC-SCM-40M
210	1-11/16	126172	FC-SCM-111
	1-3/4	126173	FC-SCM-112
	45mm	125944	FC-SCM-45M
211	1-15/16	126174	FC-SCM-115
	2	126175	FC-SCM-200
	50mm	125945	FC-SCM-50M
212	2-3/16	126176	FC-SCM-203
	2-1/4	126177	FC-SCM-204
	55mm	125946	FC-SCM-55M
214	2-7/16	126178	FC-SCM-207
	2-1/2	126179	FC-SCM-208
	65mm	125947	FC-SCM-65M
216	2-15/16	126180	FC-SCM-215
	3	126182	FC-SCM-300
	75mm	125948	FC-SCM-75M
218	3-7/16	126183	FC-SCM-307
	3-1/2	126184	FC-SCM-308
	85mm	125949	FC-SCM-85M

@ Assembled to order

FEATURES/BENEFITS
PAGE B3-2

NOMENCLATURE
PAGE B3-6

SELECTION
PAGE B3-6

MODIFICATION/ACCESSORIES
PAGE B3-132

SELECTION/DIMENSIONS



Setscrew Ball Bearings SCM MEDIUM DUTY PILOTED FLANGE BEARINGS

Series	Shaft Size	Weight lbs. kgs.	A	B	C	D	E	F Bolt Dia.	G	H	K*	L
206	1	3.3	1-25/64	4-3/8	1-1/2	3-5/8	1/4	3/8	1-1/4	13/16	3	1-37/64
	25mm	1.4	35.3	111.1	38.1	92.1	6.4	M10	31.8	20.6	76.2	40.1
207	1-3/16	4.2	1-17/32	5	1-49/64	4-1/8	3/8	3/8	1-25/64	27/32	3-3/8	1-27/32
	1-1/4 30mm	4.2 1.9	38.9	127.0	44.8	104.8	9.5	M10	35.3	21.4	85.7	46.8
208	1-7/16	4.8	1-11/16	5-1/4	1-57/64	4-3/8	7/16	7/16	1-29/64	57/64	3-5/8	2-3/64
	1-1/2 35mm	4.6 2.1	42.9	133.4	48.0	111.1	11.1	M12	36.9	22.6	92.1	52.0
209	1-1/2	5.6	1-23/32	5-3/4	1-57/64	4-3/4	7/16	1/2	1-29/64	29/32	4	2-7/32
	1-5/8 40mm	5.6 2.5	43.7	146.1	48.0	120.7	11.1	M12	36.9	23.0	101.6	56.4
210	1-11/16	6.4	1-3/4	6-1/8	1-61/64	5-1/8	15/32	1/2	1-31/64	59/64	4-1/4	2-7/16
	1-3/4 45mm	6.3 2.9	44.5	155.6	49.6	130.2	11.9	M12	37.7	23.4	108.0	61.9
211	1-15/16	7.6	1-27/32	6-3/8	2-7/32	5-3/8	5/8	1/2	1-19/32	1	4-1/2	2-23/32
	2 50mm	7.4 3.4	46.8	161.9	56.4	136.5	15.9	M12	40.5	25.4	114.3	69.1
212	2-3/16	9.5	1-63/64	7-1/8	2-29/64	6	7/8	1/2	1-37/64	1	5	2-31/32
	2-1/4 55mm	9.8 4.4	50.4	181.0	62.3	152.4	22.2	M12	40.1	25.4	127.0	75.4
214	2-7/16	13.2	2-15/64	7-5/8	2-49/64	6-1/2	1-1/8	1/2	1-41/64	1-1/16	5-1/2	3-5/16
	2-1/2 65mm	13.0 5.9	56.8	193.7	70.2	165.1	28.6	M12	41.7	27.0	139.7	84.1
216	2-15/16	18.8	2-11/64	8-3/4	3-1/32	7-1/2	1-1/4	5/8	1-25/32	1-3/16	6-3/8	3-53/64
	3 75mm	18.6 8.5	57.9	222.3	77.0	190.5	31.8	M16	45.2	30.2	161.9	92.1
218	3-7/16	28.7	2-31/64	10-1/4	3-19/64	8-5/8	1-1/8	3/4	2-11/64	1-5/8	7-3/8	4-23/64
	3-1/2 85mm	28.5 13.5	63.1	260.4	83.7	219.1	34.9	M18	55.2	41.3	187.3	110.7

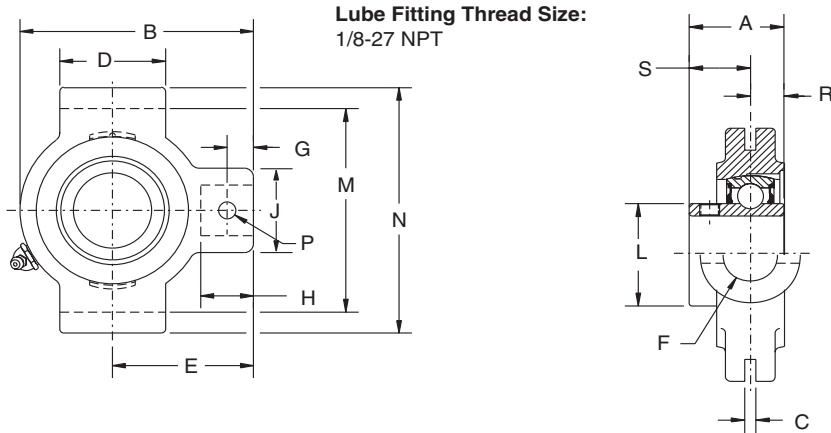
* +.000-.002", +0.00 -0.05mm

FEATURES/BENEFITS PAGE B3-2	NOMENCLATURE PAGE B3-6	SELECTION PAGE B3-6	MODIFICATION/ACCESSORIES PAGE B3-132
--------------------------------	---------------------------	------------------------	---

SELECTION/DIMENSIONS



Setscrew Ball Bearings SC NORMAL DUTY NARROW SLOT TAKE-UP BEARINGS



Series	Shaft Size	Standard		No Lube/Sealed for Life (-NL)	
		Part No.	Description	Part No.	Description
204	1/2	125328	NSTU-SC-008	@	NSTU-SC-008-NL
	5/8	125329	NSTU-SC-010	@	NSTU-SC-010-NL
	3/4	125050	NSTU-SC-012	@	NSTU-SC-012-NL
	20mm	125900	NSTU-SC-20M	@	NSTU-SC-20M-NL
205	7/8	125365	NSTU-SC-014	@	NSTU-SC-014-NL
	15/16	125051	NSTU-SC-015	@	NSTU-SC-015-NL
	1	125052	NSTU-SC-100	125054	NSTU-SC-100-NL
	25mm	125901	NSTU-SC-25M	@	NSTU-SC-25M-NL
206	1-1/16	125366	NSTU-SC-101	@	NSTU-SC-101-NL
	1-1/8	125367	NSTU-SC-102	@	NSTU-SC-102-NL
	1-3/16	125153	NSTU-SC-103	052194	NSTU-SC-103-NL
	1-1/4	123174	NSTU-SC-104S	@	NSTU-SC-104S-NL
207	30mm	125902	NSTU-SC-30M	@	NSTU-SC-30M-NL
	1-1/4	125154	NSTU-SC-104	058897	NSTU-SC-104-NL
	1-5/16	125368	NSTU-SC-105	@	NSTU-SC-105-NL
	1-3/8	125369	NSTU-SC-106	125378	NSTU-SC-106-NL
	1-7/16	125155	NSTU-SC-107	052199	NSTU-SC-107-NL
35mm	125903	NSTU-SC-35M	@	NSTU-SC-35M-NL	

@ Assembled to order
See B15-9 for Take-Up Frames

SELECTION/DIMENSIONS



Setscrew Ball Bearings

SC NORMAL DUTY NARROW SLOT TAKE-UP BEARINGS

Bearing Quick Reference

E-Z KLEEN

GRIP TIGHT Adapter Ball Bearing

Setscrew Ball Bearing

Eccentric Collar Ball Bearing

Series	Shaft Size	Weight lbs. kgs.	Take-Up Frame No. Ref.	A	B	C *	D	E	F Screw Dia	G	H	J	L	M #	N	P Pin Dia	R	S
204	1/2	1.6	NS210	1-5/32	3-1/2	1/4	1-1/2	2-3/16	3/4	7/16	7/8	1-3/8	1-1/8	2-5/8	3-1/8	5/16	27/64	47/64
	5/8	1.5																
	3/4	1.4																
	20mm	0.8																
205	7/8	1.7	NS210	1-3/16	3-9/16	1/4	1-1/2	2-3/16	3/4	7/16	7/8	1-3/8	1-21/64	2-5/8	3-1/8	5/16	27/64	49/64
	15/16	1.6																
	1	1.5																
	25mm	0.7																
206	1-1/16	2.9	NS308	1-25/64	4-5/16	1/4	2-1/2	2-11/16	3/4	1/2	15/16	1-3/8	1-37/64	3-1/2	4-1/8	5/16	31/64	29/32
	1-1/8	2.8																
	1-3/16	2.7																
	1-1/4	2.6																
	30mm	1.2																
207	1-1/4	2.8	NS308	1-17/32	4-1/2	1/4	2-1/2	2-11/16	3/4	1/2	15/16	1-3/8	1-27/32	3-1/2	4-1/8	5/16	1/2	1-1/32
	1-5/16	2.7																
	1-3/8	2.6																
	1-7/16	2.5																
	35mm	1.2																

*+ or -.015". + pr -.38mm

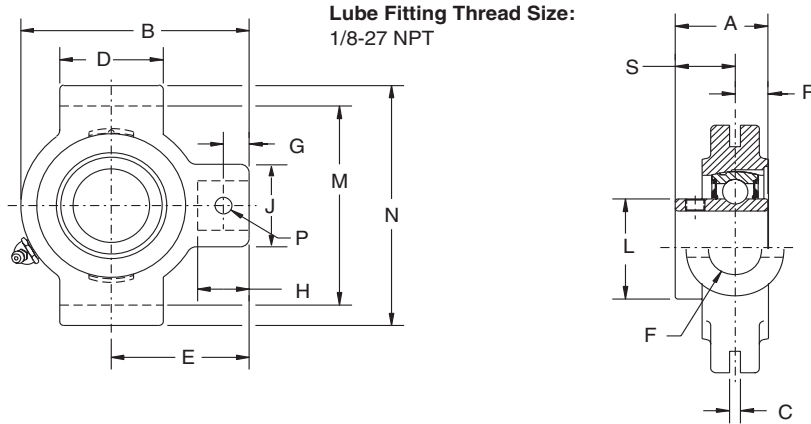
#+.010, -.020" +.25mm, -.50mm

FEATURES/BENEFITS PAGE B3-2	NOMENCLATURE PAGE B3-6	SELECTION PAGE B3-6	MODIFICATION/ACCESSORIES PAGE B3-132
--------------------------------	---------------------------	------------------------	---



SELECTION/DIMENSIONS

Setscrew Ball Bearings SC NORMAL DUTY NARROW SLOT TAKE-UP BEARINGS



Series	Shaft Size	Standard		Sealed For Life	
		Part No.	Description	Part No.	Description
208	1-1/2	125156	NSTU-SC-108	@	NSTU-SC-108-NL
	1-5/8	125370	NSTU-SC-110	@	NSTU-SC-110-NL
	40mm	125904	NSTU-SC-40M	@	NSTU-SC-40M-NL
209	1-5/8	@	NSTU-SC-110L	@	NSTU-SC-110L-NL
	1-11/16	125157	NSTU-SC-111	052939	NSTU-SC-111-NL
	1-3/4	125371	NSTU-SC-112	@	NSTU-SC-112-NL
	45mm	125905	NSTU-SC-45M	@	NSTU-SC-45M-NL
210	1-15/16	125158	NSTU-SC-115	125159	NSTU-SC-115-NL
	2	125372	NSTU-SC-200	@	NSTU-SC-200-NL
	50mm	125906	NSTU-SC-50M	@	NSTU-SC-50M-NL
211	2	135171	NSTU-SCM-200	@	NSTU-SCM-200-NL
	2-3/16	125160	NSTU-SC-203	@	NSTU-SC-203-NL
	2-1/4	125373	NSTU-SC-204	@	NSTU-SC-204-NL
	55mm	125907	NSTU-SC-55M	@	NSTU-SC-55M-NL
212	2-1/4	135172	NSTU-SCM-204	@	NSTU-SCM-204-NL
	2-7/16	125162	NSTU-SC-207	@	NSTU-SC-207-NL
	60mm	125908	NSTU-SC-60M	@	NSTU-SC-60M-NL

@ Assembled to order
See B15-9 for Take-Up Frames

FEATURES/BENEFITS PAGE B3-2	NOMENCLATURE PAGE B3-6	SELECTION PAGE B3-6	MODIFICATION/ACCESSORIES PAGE B3-132
--------------------------------	---------------------------	------------------------	---

SELECTION/DIMENSIONS



Setscrew Ball Bearings

SC NORMAL DUTY NARROW SLOT TAKE-UP BEARINGS

Series	Shaft Size	Weight lbs. kgs.	Take-Up Frame No. Ref.	A	B	C *	D	E	F Screw Dia	G	H	J	L	M #	N	P Pin Dia	R	S
208	1-1/2	4.7	NS400	1-11/16	5-3/8	5/16	3	3-1/4	7/8	21/32	1-5/32	1-5/8	2-3/64	4	4-3/4	3/8	19/32	1-3/32
	1-5/8	4.6		42.9	136.5	7.9	76.2	82.6	22.2	16.7	29.4	41.3	52.0	101.6	120.7	9.5	15.1	27.8
	40mm	2.1																
209	1-5/8	4.9	NS400	1-23/32	5-7/16	5/16	3	3-1/4	7/8	23/32	1-7/32	1-5/8	2-7/32	4	4-3/4	3/8	19/32	1-1/8
	1-11/16	4.8		43.7	138.1	7.9	76.2	82.6	22.2	18.3	31.0	41.3	56.4	101.6	120.7	9.5	15.1	28.6
	1-3/4	4.7		45mm	2.1													
210	1-15/16	4.9	NS400	1-3/4	5-1/2	5/16	3	3-1/4	7/8	19/32	1-3/32	1-5/8	2-7/16	4	4-3/4	3/8	19/32	1-5/32
	2	4.8		44.5	139.7	7.9	76.2	82.6	22.2	15.1	27.8	41.3	61.9	101.6	120.7	9.5	15.1	29.4
	50mm	2.2																
211	2	6.8	NS407	1-27/32	6-1/8	5/16	3-1/2	3-5/8	1	11/16	1-9/32	1-3/4	2-23/32	4-7/16	5-3/8	7/16	5/8	1-7/32
	2-3/16	6.6		46.8	155.6	7.9	88.9	92.1	25.4	17.5	32.5	44.5	69.1	112.7	136.5	11.1	15.9	31.0
	2-1/4	6.5		55mm	3.0													
212	2-1/4	8.7	NS415	1-63/64	6-11/16	5/16	3-3/4	3-7/8	1	11/16	1-9/32	1-5/8	2-31/32	4-15/16	5-3/4	7/16	43/64	1-5/16
	2-7/16	8.4		50.4	169.9	7.9	95.3	98.4	25.4	17.5	32.5	41.3	75.4	125.4	146.1	11.1	17.1	33.3
	60mm	4.9																

*+/- .015" +/- .38mm

#+.010, -.020" +.25mm, -.50mm

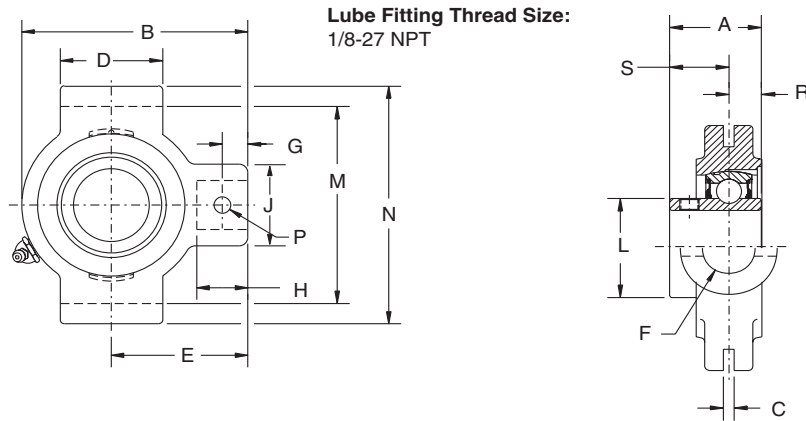
FEATURES/BENEFITS PAGE B3-2	NOMENCLATURE PAGE B3-6	SELECTION PAGE B3-6	MODIFICATION/ACCESSORIES PAGE B3-132
--------------------------------	---------------------------	------------------------	---

SELECTION/DIMENSIONS



Setscrew Ball Bearings

SCM MEDIUM DUTY NARROW SLOT TAKE-UP BEARINGS



Series	Shaft Size	Part No.	Description
206	1	135102	NSTU-SCM-100
	25mm	125980	NSTU-SCM-25M
207	1-3/16	135081	NSTU-SCM-103
	1-1/4 30mm	125154 125981	NSTU-SC-104 NSTU-SCM-30M
208	1-7/16	135105	NSTU-SCM-107
	35mm	125982	NSTU-SCM-35M
209	1-1/2	135106	NSTU-SCM-108
	1-5/8 40mm	@ 125983	NSTU-SC-110L NSTU-SCM-40M
210	1-11/16	135107	NSTU-SCM-111
	1-3/4 45mm	135170 125984	NSTU-SCM-112 NSTU-SCM-45M
211	1-15/16	135109	NSTU-SCM-115
	2 50mm	135171 125985	NSTU-SCM-200 NSTU-SCM-50M
212	2-3/16	135111	NSTU-SCM-203
	2-1/4 55mm	135172 125986	NSTU-SCM-204 NSTU-SCM-55M

@ Assembled to order

SELECTION/DIMENSIONS



Setscrew Ball Bearings SCM MEDIUM DUTY NARROW SLOT TAKE-UP BEARINGS

Series	Shaft Size	Weight lbs. kgs.	Take-Up Frame No. Ref.	A	B	C*	D	E	F Screw Dia.	G	H	J	L	M#	N	P Pin Dia.	R	S
206	1	3.0	NS308	1-25/64	4-5/16	1/4	2-1/2	2-11/16	3/4	1/2	15/16	1-3/8	1-37/64	3-1/2	4-1/8	5/16	31/64	29/32
	25mm	1.2		35.3	109.5	6.4	63.5	68.3	19.1	12.7	23.8	34.9	40.1	88.9	104.8	7.9	12.3	23.0
207	1-3/16	2.9	NS308	1-17/32	4-1/2	1/4	2-1/2	2-11/16	3/4	1/2	15/16	1-3/8	1-27/32	3-1/2	4-1/8	5/16	1/2	1-1/32
	1-1/4 30mm	2.8 1.3		38.9	114.3	6.4	63.5	68.3	19.1	12.7	23.8	34.9	46.8	88.9	104.8	7.9	12.7	26.2
208	1-7/16	4.7	NS400	1-11/16	5-3/8	5/16	3	3-1/4	7/8	21/32	1-5/32	1-5/8	2-3/64	4	4-3/4	3/8	19/32	1-3/32
	35mm	2.2		42.9	136.5	7.9	76.2	82.6	22.2	16.7	29.4	41.3	52.0	101.60	120.7	9.5	15.1	27.8
209	1-1/2	5.0	NS400	1-23/32	5-7/16	5/16	3	3-1/4	7/8	23/32	1-7/32	1-5/8	2-7/32	4	4-3/4	3/8	19/32	1-1/8
	1-5/8 40mm	4.9 2.3		43.7	138.1	7.9	76.2	82.6	22.2	18.3	31.0	41.3	56.4	101.60	120.7	9.5	15.1	28.6
210	1-11/16	5.3	NS400	1-3/4	5-1/2	5/16	3	3-1/4	7/8	19/32	1-3/32	1-5/8	2-7/16	4	4-3/4	3/8	19/32	1-5/32
	1-3/4 45mm	5.2 2.4		44.5	139.7	7.9	76.2	82.6	22.2	15.1	27.8	41.3	61.9	101.60	120.7	9.5	15.1	29.4
211	1-15/16	7.0	NS407	1-27/32	6-1/8	5/16	3-1/2	3-5/8	1	11/16	1-9/32	1-3/4	2-23/32	4-7/16	5-3/8	7/16	5/8	1-7/32
	2 50mm	6.8 3.2		46.8	155.6	7.9	88.9	92.1	25.4	17.5	32.5	44.5	69.1	112.7	136.5	11.1	15.9	31.0
212	2-3/16	8.9	NS415	1-63/64	6-11/16	5/16	3-3/4	3-7/8	1	11/16	1-9/32	1-5/8	2-31/32	4-15/16	5-3/4	7/16	43/64	1-5/16
	2-1/4 55mm	8.7 4.0		50.4	169.9	7.9	95.3	98.4	25.4	17.5	32.5	41.3	75.4	125.4	146.1	11.1	17.1	33.3

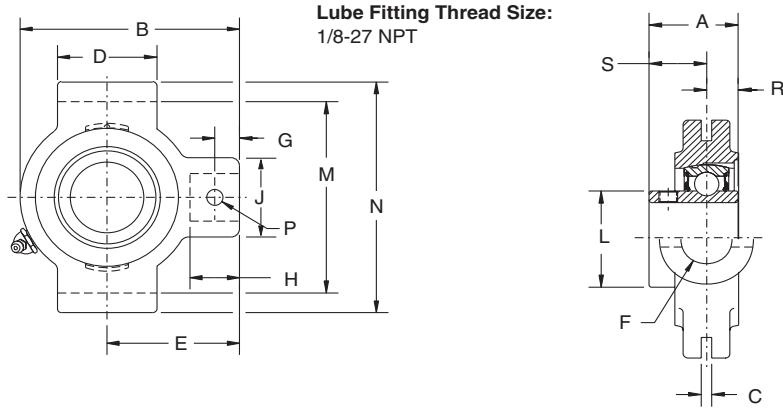
#+ or -.015", + or -.38mm"

FEATURES/BENEFITS PAGE B3-2	NOMENCLATURE PAGE B3-6	SELECTION PAGE B3-6	MODIFICATION/ACCESSORIES PAGE B3-132
--------------------------------	---------------------------	------------------------	---

SELECTION/DIMENSIONS



Setscrew Ball Bearings VSC INTERMEDIATE DUTY NARROW SLOT TAKE-UP BEARINGS



Series	Shaft Size	Part No.	Description
204	3/4 20mm	125533 @	NSTU-VSC-012 NSTU-VSC-20M
205	7/8	125534	NSTU-VSC-014
	15/16	125535	NSTU-VSC-015
	1 25mm	125536 @	NSTU-VSC-100 NSTU-VSC-25M
206	1-1/8	125537	NSTU-VSC-102
	1-3/16	125538	NSTU-VSC-103
	1-1/4	125540 @	NSTU-VSC-104S NSTU-VSC-30M
	30mm		
207	1-1/4	125539	NSTU-VSC-104
	1-3/8	125541	NSTU-VSC-106
	1-7/16 35mm	123680 @	NSTU-VSC-107 NSTU-VSC-35M
208	1-1/2 40mm	125542 @	NSTU-VSC-108 NSTU-VSC-40M
209	1-11/16	125543	NSTU-VSC-111
	1-3/4 45mm	125544 @	NSTU-VSC-112 NSTU-VSC-45M
210	1-15/16	125545	NSTU-VSC-115
	2 50mm	125546 @	NSTU-VSC-200 NSTU-VSC-50M
211	2	125547	NSTU-VSC-200
	2-3/16 55mm	125548 @	NSTU-VSC-203 NSTU-VSC-55M

@ Assembled to order

FEATURES/BENEFITS PAGE B3-2	NOMENCLATURE PAGE B3-6	SELECTION PAGE B3-6	MODIFICATION/ACCESSORIES PAGE B3-132
--------------------------------	---------------------------	------------------------	---

SELECTION/DIMENSIONS



Setscrew Ball Bearings VSC INTERMEDIATE DUTY NARROW SLOT TAKE-UP BEARINGS

Bearing Quick Reference

E-Z KLEEN

GRIP TIGHT Adapter Ball Bearing

Setscrew Ball Bearing

Eccentric Collar Ball Bearing

Series	Shaft Size	Weight lbs. kg.	Take-Up Frame No. Ref.	A	B	C*	D	E	F Screw Dia.	G	H	J	L	M#	N	P Pin Dia.	R	S
204	3/4	1.25	NS210	1-1/16	3-1/2	1/4	1-1/2	2-3/16	3/4	7/16	7/8	1-3/8	1-1/8	2-5/8	3-1/8	5/16	21/64	47/64
	20mm	0.58		27.0	88.9	6.4	38.1	55.6	19.1	11.1	22.2	34.9	28.6	66.7	79.4	7.9	8.3	18.7
205	7/8	1.68	NS210	1-3/32	3-9/16	1/4	1-1/2	2-3/16	3/4	7/16	7/8	1-3/8	1-21/64	2-5/8	3-1/8	5/16	21/64	49/64
	15/16	1.58		27.8	90.5	6.4	38.1	55.6	19.1	11.1	22.2	34.9	33.7	66.7	79.4	7.9	8.3	19.4
206	1	1.48	NS308	1-19/64	4-5/16	1/4	2-1/2	2-11/16	3/4	1/2	15/16	1-3/8	1-37/64	3-1/2	4-1/8	5/16	25/64	29/32
	25mm	0.73		32.9	109.5	6.4	63.5	68.3	19.1	12.7	23.8	34.9	40.1	88.9	104.8	7.9	9.9	23.0
207	1-1/8	2.78	NS308	1-7/16	4-1/2	1/4	2-1/2	2-11/16	3/4	1/2	15/16	1-3/8	1-27/32	3-1/2	4-1/8	5/16	13/32	1-1/32
	1-3/16	2.58		36.5	114.3	6.4	63.5	68.3	19.1	12.7	23.8	34.9	46.8	88.9	104.8	7.9	10.3	26.2
208	1-7/16	2.48	NS308	1-7/16	4-1/2	1/4	2-1/2	2-11/16	3/4	1/2	15/16	1-3/8	1-27/32	3-1/2	4-1/8	5/16	13/32	1-1/32
	30mm	1.19		36.5	114.3	6.4	63.5	68.3	19.1	12.7	23.8	34.9	46.8	88.9	104.8	7.9	10.3	26.2
208	1-1/2	4.68	NS400	1-9/16	5-3/8	5/16	3	3-1/4	7/8	21/32	1-5/32	1-5/8	2-3/64	4	4-3/4	3/8	15/32	1-3/32
	40mm	2.16		39.7	136.5	7.9	76.2	82.6	22.2	16.7	29.4	41.3	52.0	101.6	120.7	9.5	11.9	27.8
209	1-11/16	4.78	NS400	1-19/32	5-7/16	5/16	3	3-1/4	7/8	23/32	1-7/32	1-5/8	2-7/32	4	4-3/4	3/8	15/32	1-1/8
	1-3/4	4.68		40.5	138.1	7.9	76.2	82.6	22.2	18.3	31.0	41.3	56.4	101.6	120.7	9.5	11.9	28.6
210	45mm	2.20	NS400	1-19/32	5-7/16	5/16	3	3-1/4	7/8	23/32	1-7/32	1-5/8	2-7/32	4	4-3/4	3/8	15/32	1-1/8
	1-15/16	4.88		40.5	138.1	7.9	76.2	82.6	22.2	18.3	31.0	41.3	56.4	101.6	120.7	9.5	11.9	28.6
210	2	4.78	NS400	1-5/8	5-1/2	5/16	3	3-1/4	7/8	19/32	1-3/32	1-5/8	2-7/16	4	4-3/4	3/8	15/32	1-5/32
	50mm	2.25		41.3	139.7	7.9	76.2	82.6	22.2	115.1	27.8	41.3	61.9	101.6	120.7	9.5	11.9	29.4
211	2	6.78	NS407	1-23/32	6-1/8	5/16	3-1/2	3-5/8	1	11/16	1-9/32	1-3/4	2-23/32	4-7/16	5-3/8	7/16	1/2	1-7/32
	2-3/16	6.58		43.7	155.6	7.9	88.9	92.1	25.4	17.5	32.5	44.5	69.1	112.7	136.5	11.1	12.7	31.0
	55mm	3.13																

* + or -.015, + or -.38mm

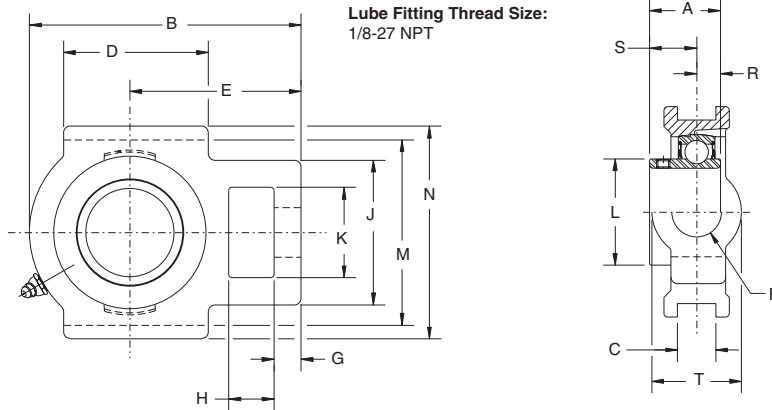
#+.010, -.020" +.25mm, -.50mm

FEATURES/BENEFITS PAGE B3-2	NOMENCLATURE PAGE B3-6	SELECTION PAGE B3-6	MODIFICATION/ACCESSORIES PAGE B3-132
--------------------------------	---------------------------	------------------------	---

SELECTION/DIMENSIONS



Setscrew Ball Bearings SC NORMAL DUTY WIDE SLOT TAKE-UP BEARINGS



Series	Shaft Size	Standard		No Lube/Sealed for Life (-NL)	
		Part No.	Description	Part No.	Description
204	1/2	125343	WSTU-SC-008	@	WSTU-SC-008-NL
	5/8	125344	WSTU-SC-010	@	WSTU-SC-010-NL
	3/4	125010	WSTU-SC-012	@	WSTU-SC-012-NL
	20mm	125910	WSTU-SC-20M	@	WSTU-SC-20M-NL
205	7/8	125356	WSTU-SC-014	@	WSTU-SC-014-NL
	15/16	125011	WSTU-SC-015	@	WSTU-SC-015-NL
	1	125012	WSTU-SC-100	@	WSTU-SC-100-NL
	25mm	125911	WSTU-SC-25M	@	WSTU-SC-25M-NL
206	1-1/16	125357	WSTU-SC-101	@	WSTU-SC-101-NL
	1-1/8	125358	WSTU-SC-102	@	WSTU-SC-102-NL
	1-3/16	125113	WSTU-SC-103	@	WSTU-SC-103-NL
	1-1/4	123175	WSTU-SC-104S	@	WSTU-SC-104S-NL
	30mm	125912	WSTU-SC-30M	@	WSTU-SC-30M-NL
207	1-1/4	125360	WSTU-SC-104	@	WSTU-SC-104-NL
	1-5/16	125359	WSTU-SC-105	@	WSTU-SC-105-NL
	1-3/8	125361	WSTU-SC-106	@	WSTU-SC-106-NL
	1-7/16	125114	WSTU-SC-107	050846	WSTU-SC-107-NL
	35mm	125913	WSTU-SC-35M	@	WSTU-SC-35M-NL
208	1-1/2	125120	WSTU-SC-108	049829	WSTU-SC-108-NL
	1-5/8	125355	WSTU-SC-110	@	WSTU-SC-110-NL
	40mm	125914	WSTU-SC-40M	@	WSTU-SC-40M-NL

@ Assembled to order

FEATURES/BENEFITS PAGE B3-2	NOMENCLATURE PAGE B3-6	SELECTION PAGE B3-6	MODIFICATION/ACCESSORIES PAGE B3-132
--------------------------------	---------------------------	------------------------	---

SELECTION/DIMENSIONS



Setscrew Ball Bearings SC NORMAL DUTY WIDE SLOT TAKE-UP BEARINGS

Series	Shaft Size	Weight lbs kg	Take-Up Frame Size	A	B	C*	D	E	F Screw Dia.	G
204	1/2	2.1	WS300	1-5/32	3-11/16	17/32	2	2-3/8	5/8	3/8
	5/8	2.0		29.4	93.7	13.5	50.8	60.3	15.9	9.5
	3/4	1.9								
	20mm	0.9								
205	7/8	2.2	WS300	1-3/16	3-13/16	17/32	2	2-7/16	5/8	3/8
	15/16	2.1		30.2	96.8	13.5	50.8	61.9	15.9	9.5
	1	2.0								
	25mm	1.0								
206	1-1/16	3.1	WS308	1-25/64	4-3/8	17/32	2-1/4	2-3/4	3/4	3/8
	1-1/8	3.0		35.3	111.1	13.5	57.2	69.9	19.1	9.5
	1-3/16	2.9								
	1-1/4	2.8								
207	30mm	1.3								
	1-1/4	3.8	WS308	1-17/32	4-7/8	17/32	2-1/2	3-1/16	3/4	1/2
	1-5/16	3.7		38.9	123.8	13.5	63.5	77.8	19.1	12.7
	1-3/8	3.6								
1-7/16	3.5									
208	35mm	1.6								
	1-1/2	6.1	WS400	1-11/16	5-11/16	11/16	3-1/4	3-1/2	1	5/8
	1-5/8	6.0		42.9	144.5	17.5	82.6	88.9	25.4	15.9
	40mm	2.8								

Series	Shaft Size	H	J	K	L	M#	N	R	S	T
204	1/2	5/8	2	1-1/4	1-1/8	3	3-5/8	27/64	47/64	1-3/8
	5/8									
	3/4									
	20mm	15.9	50.8	31.8	28.6	76.2	92.1	10.7	18.7	34.9
205	7/8	5/8	2	1-5/16	1-21/64	3	3-5/8	27/64	49/64	1-3/8
	15/16									
	1									
	25mm	15.9	50.8	33.3	33.7	76.2	92.1	10.7	19.4	34.9
206	1-1/16	5/8	2-3/16	1-7/16	1-37/64	3-1/2	4-1/8	31/64	29/32	1-5/8
	1-1/8									
	1-3/16									
	1-1/4									
207	30mm	15.9	55.6	36.5	40.1	88.9	104.8	12.3	23.0	41.3
	1-1/4	5/8	2-1/2	1-7/16	1-27/32	3-1/2	4-1/8	1/2	1-1/32	1-5/8
	1-5/16									
	1-3/8									
208	1-7/16									
	35mm	15.9	63.5	36.5	46.8	88.9	104.8	12.7	26.2	41.3
	1-1/2	3/4	3-1/4	1-15/16	2-3/64	4	4-1/2	19/32	1-3/32	1-15/16
	1-5/8									
208	40mm	19.1	82.6	49.2	52.0	101.6	114.3	15.1	27.8	49.2

*+ or -.015", + or -.38mm

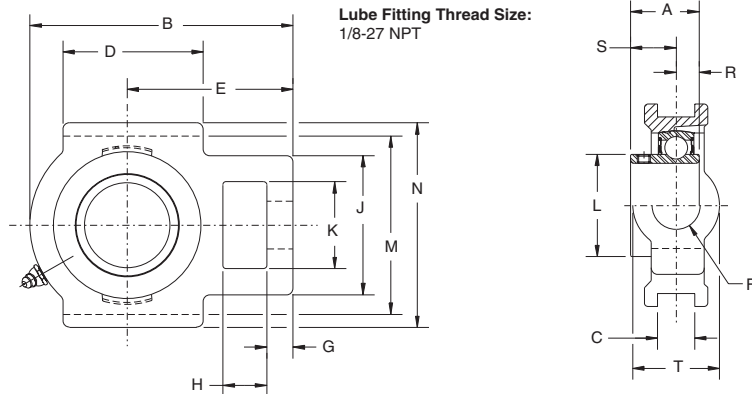
#+.010, -.020" +.25mm, -.50mm

FEATURES/BENEFITS PAGE B3-2	NOMENCLATURE PAGE B3-6	SELECTION PAGE B3-6	MODIFICATION/ACCESSORIES PAGE B3-132
--------------------------------	---------------------------	------------------------	---

SELECTION/DIMENSIONS



Setscrew Ball Bearings SC NORMAL DUTY WIDE SLOT TAKE-UP BEARINGS



Series	Shaft Size	Standard		No Lube/Sealed for Life (-NL)	
		Part No.	Description	Part No.	Description
209	1-5/8	125151	WSTU-SC-110L	@	WSTU-SC-110L-NL
	1-11/16	125115	WSTU-SC-111	@	WSTU-SC-111-NL
	1-3/4	125362	WSTU-SC-112	@	WSTU-SC-112-NL
	1-13/16	125121	WSTU-SC-113	@	WSTU-SC-113-NL
	45mm	125915	WSTU-SC-45M	@	WSTU-SC-45M-NL
210	1-15/16	125116	WSTU-SC-115	125071	WSTU-SC-115-NL
	2	125363	WSTU-SC-200	058705	WSTU-SC-200-NL
	50mm	125916	WSTU-SC-50M	@	WSTU-SC-50M-NL
211	2	135183	WSTU-SCM-200	@	WSTU-SCM-200-NL
	2-3/16	125117	WSTU-SC-203	@	WSTU-SC-203-NL
	2-1/4	125364	WSTU-SC-204	@	WSTU-SC-204-NL
	55mm	125917	WSTU-SC-55M	@	WSTU-SC-55M-NL
212	2-1/4	135184	WSTU-SCM-204	@	WSTU-SCM-204-NL
	2-7/16	125118	WSTU-SC-207	@	WSTU-SC-207-NL
	60mm	125918	WSTU-SC-60M	@	WSTU-SC-60M-NL
214	2-1/2	135185	WSTU-SCM-208	@	WSTU-SCM-208-NL
	2-11/16	064704	WSTU-SC-211	@	WSTU-SC-211-NL
	70mm	062975	WSTU-SC-70M	@	WSTU-SC-70M-NL
215	2-15/16	125119	WSTU-SC-215	@	WSTU-SC-215-NL
	75mm	125919	WSTU-SC-75M	@	WSTU-SC-75M-NL

@ Assembled to order

FEATURES/BENEFITS
PAGE B3-2

NOMENCLATURE
PAGE B3-6

SELECTION
PAGE B3-6

MODIFICATION/ACCESSORIES
PAGE B3-132

SELECTION/DIMENSIONS



Setscrew Ball Bearings SC NORMAL DUTY WIDE SLOT TAKE-UP BEARINGS

Series	Shaft Size	Weight lbs kg	Take-Up Frame Size	A	B	C*	D	E	F Screw Dia.	G
209	1-5/8	6.1	WS400	1-23/32	5-5/8	11/16	3-1/4	3-7/16	1	5/8
	1-11/16	6.0								
	1-3/4	5.9								
	1-13/16	5.8								
	45mm	2.7		43.7	142.9	17.5	82.6	87.3	25.4	15.9
210	1-15/16	6.4	WS400	1-3/4	5-13/16	11/16	3-3/8	3-9/16	1	5/8
	2	6.2								
	50mm	2.9		44.5	147.6	17.5	85.7	90.5	25.4	15.9
211	2	10.1	WS502	1-27/32	6-11/16	1-1/16	3-3/4	4-3/16	1-1/4	3/4
	2-3/16	10.0								
	2-1/4	9.8								
	55mm	4.5		46.8	169.9	27.0	95.3	106.4	31.8	19.1
212	2-1/4	11.2	WS502	1-63/64	7-1/2	1-1/16	4	4-11/16	1-1/4	3/4
	2-7/16	10.8								
	60mm	4.9		50.4	190.5	27.0	101.6	119.1	31.8	19.1
214	2-1/2	18.0	WS515	2-15/64	8-9/16	1-1/16	4-3/4	5-3/8	1-1/2	13/16
	2-11/16	17.8								
	70mm	8.0		56.8	217.5	27.0	120.7	136.5	38.1	20.6
215	2-15/16	18.9	WS515	2-9/32	9-1/8	1-1/16	4-3/4	5-1/2	1-1/2	13/16
	75mm	8.6		57.9	231.8	27.0	120.7	139.7	38.1	20.6

Series	Shaft Size	H	J	K	L	M#	N	R	S	T
209	1-5/8	3/4	3-1/4	1-15/16	2-7/32	4	4-3/4	19/32	1-1/8	1-15/16
	1-11/16									
	1-3/4									
	1-13/16									
	45mm	19.1	82.6	49.2	56.4	101.6	120.7	15.1	28.6	49.2
210	1-15/16	3/4	3-1/4	1-15/16	2-7/16	4	4-3/4	19/32	1-5/32	1-15/16
	2									
	50mm	19.1	82.6	49.2	61.9	101.6	120.7	15.1	29.4	49.2
211	2	1	4	2-1/2	2-23/32	5-1/8	5-7/8	5/8	1-7/32	2-1/2
	2-3/16									
	55mm	25.4	101.6	63.5	69.1	130.2	149.2	15.9	31.0	63.5
212	2-1/4	1-1/4	4	2-1/2	2-31/32	5-1/8	5-7/8	43/64	1-5/16	2-1/2
	2-7/16									
	60mm	31.8	101.6	63.5	75.4	130.2	149.2	17.1	33.3	63.5
214	2-1/2	1-1/4	4-3/8	2-3/4	3-5/16	5-15/16	6-9/16	51/64	1-7/16	2-3/4
	2-11/16									
	70mm	31.8	111.1	69.9	84.1	150.8	166.7	20.2	36.5	69.9
215	2-15/16	1-1/4	4-3/8	2-3/4	3-5/8	5-15/16	6-11/16	13/16	1-15/32	2-3/4
	75mm	31.8	111.1	69.9	92.1	150.8	169.9	20.6	37.3	69.9

*+ or -.015", + or -.38mm

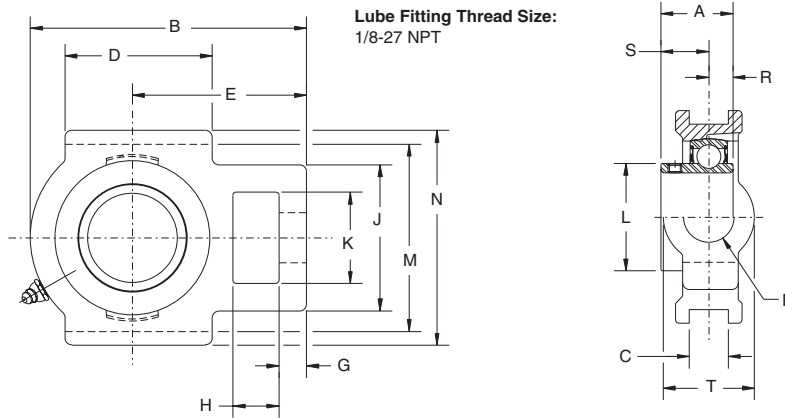
+.010, -.020" +.25mm, -.50mm

FEATURES/BENEFITS PAGE B3-2	NOMENCLATURE PAGE B3-6	SELECTION PAGE B3-6	MODIFICATION/ACCESSORIES PAGE B3-132
--------------------------------	---------------------------	------------------------	---

SELECTION/DIMENSIONS



Setscrew Ball Bearings SCM MEDIUM DUTY WIDE SLOT TAKE-UP BEARINGS



Series	Shaft Size	Part No.	Description
206	1	135117	WSTU-SCM-100
	25mm	125989	WSTU-SCM-25M
207	1-3/16	135118	WSTU-SCM-103
	1-1/4 30mm	125360 125990	WSTU-SC-104 WSTU-SCM-30M
208	1-7/16	135116	WSTU-SCM-107
	35mm	125991	WSTU-SCM-35M
209	1-1/2	135120	WSTU-SCM-108
	40mm	125992	WSTU-SCM-40M
210	1-11/16	135121	WSTU-SCM-111
	1-3/4 45mm	135182 125993	WSTU-SCM-112 WSTU-SCM-45M

SELECTION/DIMENSIONS



Setscrew Ball Bearings SCM MEDIUM DUTY WIDE SLOT TAKE-UP BEARINGS

Series	Shaft Size	Weight lbs. kgs.	Take-Up Frame No. Ref.	A	B	C*	D	E	F Screw Dia.	G
206	1	2.9	WS308	1-25/64	4-3/8	17/32	2-1/4	2-3/4	3/4	3/8
	25mm	1.4		35.3	111.1	13.5	57.2	69.9	19.1	9.5
207	1-3/16	3.9	WS308	1-17/32	4-7/8	17/32	2-1/2	3-1/16	3/4	1/2
	1-1/4	3.8		38.9	123.8	13.5	63.5	77.8	19.1	12.7
	30mm	1.7								
208	1-7/16	6.1	WS400	1-11/16	5-11/16	11/16	3-1/4	3-1/2	1	5/8
	35mm	2.9		42.9	144.5	17.5	82.6	88.9	25.40	15.9
209	1-1/2	6.0	WS400	1-23/32	5-5/8	11/16	3-1/4	3-7/16	1	5/8
	40mm	2.8		43.7	142.9	17.5	82.6	87.3	25.40	15.9
210	1-11/16	6.5	WS400	1-3/4	5-13/16	11/16	3-3/8	3-9/16	1	5/8
	1-3/4	6.4		44.5	147.6	17.5	85.7	90.5	25.40	15.9
	45mm	3.0								

Series	Shaft Size	H	J	K	L	M#	N	R	S	T
206	1	5/8	2-3/16	1-7/16	1-37/64	3-1/2	4-1/8	31/64	29/32	1-5/8
	25mm	15.9	55.6	36.5	40.1	88.9	104.8	12.3	23.0	41.3
207	1-3/16	5/8	2-1/2	1-7/16	1-27/32	3-1/2	4-1/8	1/2	1-1/32	1-5/8
	1-1/4									
	30mm	15.9	63.5	36.5	46.8	88.9	104.8	12.7	26.2	41.3
208	1-7/16	3/4	3-1/4	1-15/16	2-3/64	4	4-1/2	19/32	1-3/32	1-15/16
	35mm	19.1	82.6	49.2	52.0	101.6	114.3	15.1	27.8	49.2
209	1-1/2	3/4	3-1/4	1-15/16	2-7/32	4	4-3/4	19/32	1-1/8	1-15/16
	40mm	19.1	82.6	49.2	56.4	101.6	120.7	15.1	28.6	49.2
210	1-11/16	3/4	3-1/4	1-15/16	2-7/16	4	4-3/4	19/32	1-5/32	1-15/16
	1-3/4									
	45mm	19.1	82.6	49.2	61.9	101.6	20.7	15.1	29.4	49.2

*+ or -.015, + or -.38mm

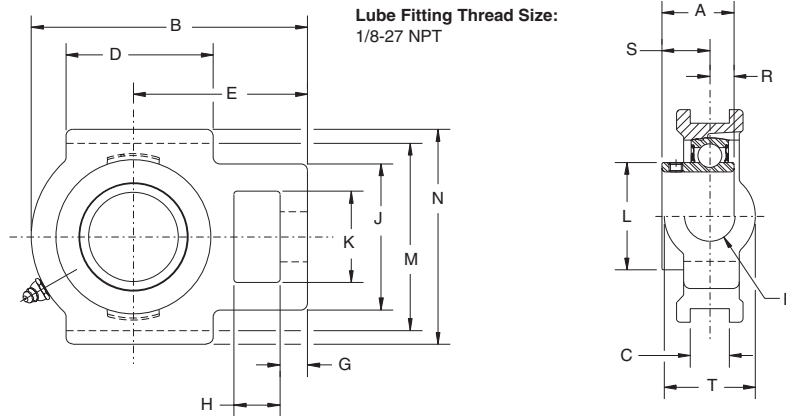
#+.010, -.020" +.25mm, -.50mm

FEATURES/BENEFITS PAGE B3-2	NOMENCLATURE PAGE B3-6	SELECTION PAGE B3-6	MODIFICATION/ACCESSORIES PAGE B3-132
--------------------------------	---------------------------	------------------------	---

SELECTION/DIMENSIONS



Setscrew Ball Bearings SCM MEDIUM DUTY WIDE SLOT TAKE-UP BEARINGS



Series	Shaft Size	Part No.	Description
211	1-15/16	135123	WSTU-SCM-115
	2	135183	WSTU-SCM-200
	50mm	125994	WSTU-SCM-50M
212	2-3/16	135125	WSTU-SCM-203
	2-1/4	135184	WSTU-SCM-204
	55mm	125995	WSTU-SCM-55M
214	2-7/16	135127	WSTU-SCM-207
	2-1/2	135185	WSTU-SCM-208
	65mm	125996	WSTU-SCM-65M
215	2-11/16	135129	WSTU-SCM-211
	70mm	125997	WSTU-SCM-70M
216	2-15/16	135130	WSTU-SCM-215
	3	135181	WSTU-SCM-300
	75mm	125998	WSTU-SCM-75M

SELECTION/DIMENSIONS



Setscrew Ball Bearings SCM MEDIUM DUTY WIDE SLOT TAKE-UP BEARINGS

Series	Shaft Size	Weight lbs. kgs.	Take-Up Frame No. Ref.	A	B	C*	D	E	F Screw Dia.	G
211	1-15/16	10.1	WS502	1-27/32	6-11/16	1-1/16	3-3/4	4-3/16	1-1/4	3/4
	2	10.2		46.8	159.9	27.0	95.3	106.4	31.8	19.1
	50mm	4.7								
212	2-3/16	11.4	WS502	1-63/64	7-1/2	1-1/16	4	4-11/16	1-1/4	3/4
	2-1/4	11.2		50.4	190.5	27.0	101.60	119.1	31.8	19.1
	55mm	5.1								
214	2-7/16	18.2	WS515	2-15/64	8-9/16	1-1/16	4-3/4	5-3/8	1-1/2	13/16
	2-1/2	18.0		56.8	217.5	27.0	120.7	136.5	38.1	20.6
	65mm	8.1								
215	2-11/16	19.0	WS515	2-9/32	9-1/8	1-1/16	4-3/4	5-1/2	1-1/2	13/16
	70mm	8.9		57.9	231.8	27.0	120.7	139.7	38.1	20.6
216	2-15/16	21.7	WS608	2-11/64	9-1/8	1-1/16	4-3/4	5-1/2	1-1/2	13/16
	3	21.5		55.2	231.8	27.0	120.7	139.7	38.1	20.6
	75mm	9.5								

Series	Shaft Size	H	J	K	L	M#	N	R	S	T
211	1-15/16	1	4	2-1/2	2-23/32	5-1/8	5-7/8	5/8	1-7/32	2-1/2
	2	25.4	101.6	63.5	69.1	130.2	149.2	15.9	31.0	63.5
	50mm									
212	2-3/16	1-1/4	4	2-1/2	2-31/32	5-1/8	5-7/8	43/64	1-5/16	2-1/2
	2-1/4	31.8	101.60	63.5	75.4	130.2	149.2	17.1	33.3	63.5
	55mm									
214	2-7/16	1-1/4	4-3/8	2-3/4	3-5/16	5-15/16	6-9/16	51/64	1-7/16	2-3/4
	2-1/2	31.8	111.1	69.9	84.1	150.8	166.7	20.2	36.5	69.9
	65mm									
215	2-11/16	1-1/4	4-3/8	2-3/4	3-5/8	5-15/16	6-11/16	13/16	1-15/32	2-3/4
	70mm	31.8	111.1	69.9	92.1	150.8	169.9	20.6	37.3	69.9
216	2-15/16	1-1/4	4-3/8	2-3/4	3-53/64	6-1/2	7-1/4	43/64	1-1/23	2-3/4
	3	31.8	111.1	69.9	97.2	165.1	184.2	17.1	8.1	69.9
	75mm									

*+ or -.015, + or -.38mm #+.010, -.020" +.25mm, -.50mm

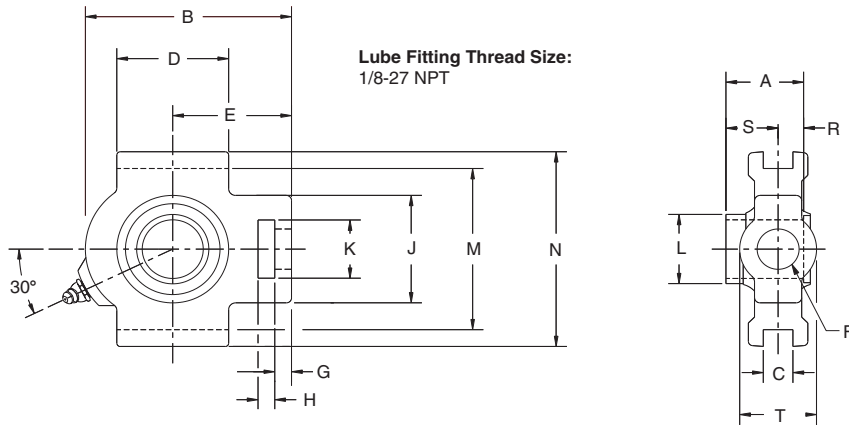
FEATURES/BENEFITS PAGE B3-2	NOMENCLATURE PAGE B3-6	SELECTION PAGE B3-6	MODIFICATION/ACCESSORIES PAGE B3-132
--------------------------------	---------------------------	------------------------	---

SELECTION/DIMENSIONS

DODGE®


Setscrew Ball Bearings

VSC INTERMEDIATE DUTY WIDE SLOT TAKE-UP BEARINGS



Series	Shaft Size	Part No.	Description
204	3/4	125549	WSTU-VSC-012
	20mm	@	WSTU-VSC-20M
205	7/8	125550	WSTU-VSC-014
	15/16	125551	WSTU-VSC-015
	1	125552	WSTU-VSC-100
	25mm	@	WSTU-VSC-25M
206	1-1/8	125553	WSTU-VSC-102
	1-3/16	125554	WSTU-VSC-103
	1-1/4	125556	WSTU-VSC-104S
	30mm	@	WSTU-VSC-30M
207	1-1/4	125555	WSTU-VSC-104
	1-3/8	125557	WSTU-VSC-106
	1-7/16	125558	WSTU-VSC-107
	35mm	@	WSTU-VSC-35M

@ Assembled to order

SELECTION/DIMENSIONS



Setscrew Ball Bearings VSC INTERMEDIATE DUTY WIDE SLOT TAKE-UP BEARINGS

Series	Shaft Size	Weight lbs. kg.	Take-Up Frame No. Ref.	A	B	C*	D	E	F Screw Dia.	G
204	3/4	1.9	WS300	1-1/16	3-11/16	17/32	2	2-3/8	5/8	3/8
	20mm	0.87		27.0	93.7	13.5	50.8	60.3	15.9	9.5
205	7/8	2.2	WS300	1-3/32	3-13/16	17/32	2	2-7/16	5/8	3/8
	15/16	2.1		27.8	96.8	13.5	50.8	61.9	15.9	9.5
	1	2.0		27.8	96.8	13.5	50.8	61.9	15.9	9.5
206	25mm	0.96	WS308	1-19/64	4-3/8	17/32	2-1/4	2-3/4	3/4	3/8
	1-1/8	3.0		32.9	111.1	13.5	57.2	69.9	19.1	9.5
	1-3/16	2.9		32.9	111.1	13.5	57.2	69.9	19.1	9.5
207	1-1/4	3.8	WS308	1-7/16	4-7/8	17/32	2-1/2	3-1/16	3/4	1/2
	1-3/8	3.6		36.5	123.8	13.5	63.5	77.8	19.1	12.7
	1-7/16	3.5		36.5	123.8	13.5	63.5	77.8	19.1	12.7
	30mm	1.33		36.5	123.8	13.5	63.5	77.8	19.1	12.7

Series	Shaft Size	H	J	K	L	M#	N	R	S	T
204	3/4	5/8	2	1-1/4	1-1/8	3	3-5/8	5/16	21/64	1-3/8
	20mm	15.9	50.8	31.8	28.6	76.2	92.1	7.9	8.3	34.9
205	7/8	5/8	2	1-5/16	1-21/64	3	3-5/8	5/16	21/64	1-3/8
	15/16	5/8	2	1-5/16	1-21/64	3	3-5/8	5/16	21/64	1-3/8
	1	5/8	2	1-5/16	1-21/64	3	3-5/8	5/16	21/64	1-3/8
206	25mm	15.9	50.8	33.3	33.7	76.2	92.1	7.9	8.3	34.9
	1-1/8	5/8	2-3/16	1-7/16	1-37/64	3-1/2	4-1/8	5/16	25/64	1-5/8
	1-3/16	5/8	2-3/16	1-7/16	1-37/64	3-1/2	4-1/8	5/16	25/64	1-5/8
207	1-1/4	5/8	2-1/2	1-7/16	1-27/32	3-1/2	4-1/8	5/16	13/32	1-5/8
	1-3/8	5/8	2-1/2	1-7/16	1-27/32	3-1/2	4-1/8	5/16	13/32	1-5/8
	1-7/16	5/8	2-1/2	1-7/16	1-27/32	3-1/2	4-1/8	5/16	13/32	1-5/8
	35mm	15.9	63.5	36.5	46.8	88.9	104.8	7.9	10.3	41.3

*+ or.015", + or -.38mm

+.010, -.020" +.25, -.50mm

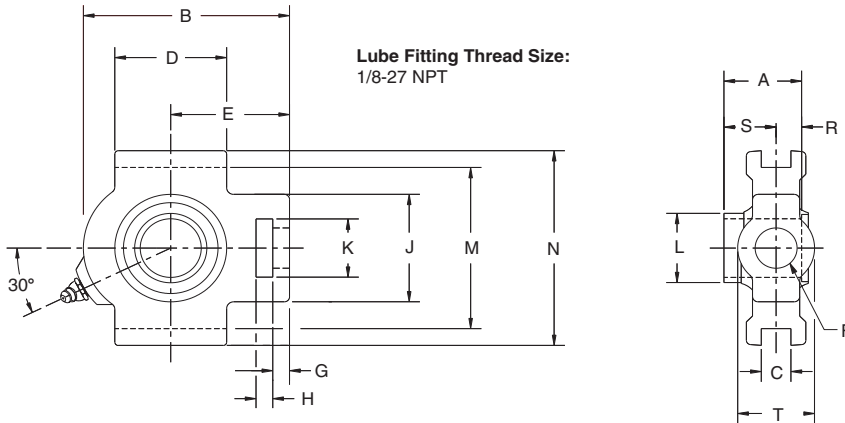
FEATURES/BENEFITS PAGE B3-2	NOMENCLATURE PAGE B3-6	SELECTION PAGE B3-6	MODIFICATION/ACCESSORIES PAGE B3-132
--------------------------------	---------------------------	------------------------	---

SELECTION/DIMENSIONS



Setscrew Ball Bearings

VSC INTERMEDIATE DUTY WIDE SLOT TAKE-UP BEARINGS



Series	Shaft Size	Part No.	Description
208	1-1/2 40mm	125559 @	WSTU-VSC-108 WSTU-VSC-40M
209	1-11/16 1-3/4 45mm	125560 125561 @	WSTU-VSC-111 WSTU-VSC-112 WSTU-VSC-45M
210	1-15/16 2 50mm	125562 125563 @	WSTU-VSC-115 WSTU-VSC-200 WSTU-VSC-50M
211	2 2-3/16 55mm	125564 125565 @	WSTU-VSC-200L WSTU-VSC-203 WSTU-VSC-55M

@ Assembled to order

FEATURES/BENEFITS PAGE B3-2	NOMENCLATURE PAGE B3-6	SELECTION PAGE B3-6	MODIFICATION/ACCESSORIES PAGE B3-132
--------------------------------	---------------------------	------------------------	---

SELECTION/DIMENSIONS*



Setscrew Ball Bearings VSC INTERMEDIATE DUTY WIDE SLOT TAKE-UP BEARINGS

Series	Shaft Size	Weight lbs. kg.	Take-Up Frame No. Ref.	A	B	C*	D	E	F Screw Dia.	G
208	1-1/2	6.1	WS400	1-9/16	5-11/16	11/16	3-1/4	3-1/2	1	5/8
	40mm	2.80		39.7	144.5	17.5	82.6	88.9	25.4	15.9
209	1-11/16	6.0	WS400	1-19/32	5-5/8	11/16	3-1/4	3-7/16	1	5/8
	1-3/4	5.9		40.5	142.9	17.5	82.6	87.3	25.4	15.9
210	1-15/16	6.4	WS400	1-5/8	5-13/16	11/16	3-3/8	3-9/16	1	5/8
	2	6.2		41.3	147.6	17.5	85.7	90.5	25.4	15.9
211	50mm	2.94	WS502	1-23/32	6-11/16	1-1/16	3-3/4	4-3/16	1-1/4	3/4
	2	10.1		43.7	169.9	27.0	95.3	106.4	31.8	19.1
211	2-3/16	10.0	WS502	55mm	4.65					

Series	Shaft Size	H	J	K	L	M#	N	R	S	T
208	1-1/2	3/4	3-1/4	1-15/16	2-3/64	4	4-1/2	3/8	15/32	1-15/16
	40mm	19.1	82.6	49.2	52.0	101.6	114.3	9.5	11.9	49.2
209	1-11/16	3/4	3-1/4	1-15/16	2-7/32	4	4-3/4	3/8	15/32	1-15/16
	1-3/4	19.1	82.6	49.2	56.4	101.6	120.7	9.5	11.9	49.2
210	1-15/16	3/4	3-1/4	1-15/16	2-7/16	4	4-3/4	3/8	15/32	1-15/16
	2	19.1	82.6	49.2	61.9	101.6	120.7	9.5	11.9	49.2
211	2	1	4	2-1/2	2-23/32	5-1/8	5-7/8	7/16	1/2	2-1/2
	2-3/16	25.4	101.6	63.5	69.1	130.2	149.2	11.1	12.7	63.5
211	55mm									

*+ or .015", + or -.38mm

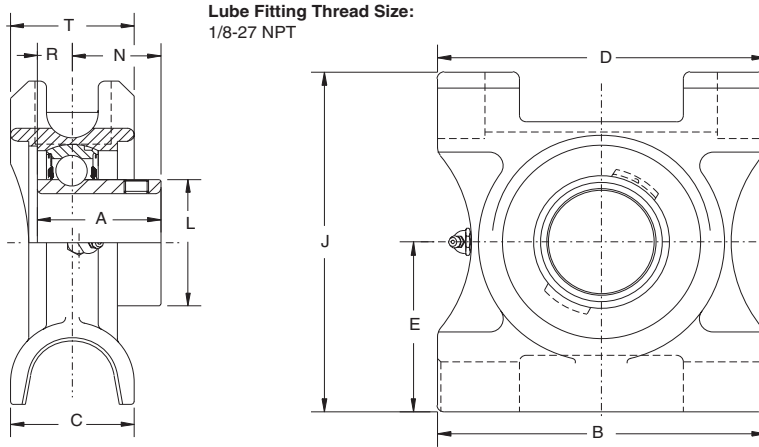
+.010, -.020" +.25, -.50mm

FEATURES/BENEFITS PAGE B3-2	NOMENCLATURE PAGE B3-6	SELECTION PAGE B3-6	MODIFICATION/ACCESSORIES PAGE B3-132
--------------------------------	---------------------------	------------------------	---

SELECTION/DIMENSIONS



Setscrew Ball Bearings TYPE G NORMAL DUTY TOP ANGLE TAKE-UP BEARINGS



Series	Shaft Size	Part No.	Description
210	1-15/16	012340	TP-G-115
	2	012302	TP-G-200
211	2	136081	TP-GM-200
	2-3/16	012341	TP-G-203
	2-1/4	012303	TP-G-204
212	2-1/4	136082	TP-GM-204
	2-7/16	012342	TP-G-207
214	2-1/2	136083	TP-GM-208
	2-11/15	@	TP-G-211
215	2-15/16	012343	TP-G-215

@ Assembled to order

FEATURES/BENEFITS PAGE B3-2	NOMENCLATURE PAGE B3-6	SELECTION PAGE B3-6	MODIFICATION/ACCESSORIES PAGE B3-132
--------------------------------	---------------------------	------------------------	---

SELECTION/DIMENSIONS



Setscrew Ball Bearings TYPE G NORMAL DUTY TOP ANGLE TAKE-UP BEARINGS

Series	Shaft Size	Weight lbs.	Frame Size	A	B	C	D	E	J	L	N	R	T
210	1-15/16	10.2	TP10	1-3/4	6-1/2	2-3/8	6	3-1/4	6-3/8	2-7/16	1-5/32	19/32	2-3/8
	2	10.0											
211	2	12.5	TP20	1-27/32	7	2-1/2	6-3/4	3-3/8	6-7/8	2-23/32	1-7/32	5/8	2-3/8
	2-3/16	12.4											
212	2-1/4	16.0	TP30	1-63/64	7-1/2	2-3/4	7	3-1/2	7-7/16	2-31/32	1-5/16	43/64	2-3/4
	2-7/16	15.9											
214	2-1/2	21.3	TP40	2-15/64	8-1/2	2-1/2	8	4	8-15/16	3-5/16	1-7/16	51-64	2-3/4
	2-11/15	21.1											
215	2-15/16	21.2	TP40	2-9/64	8-1/2	2-1/2	8	4	8-5/16	3-5/8	1-15/32	13/16	2-3/4

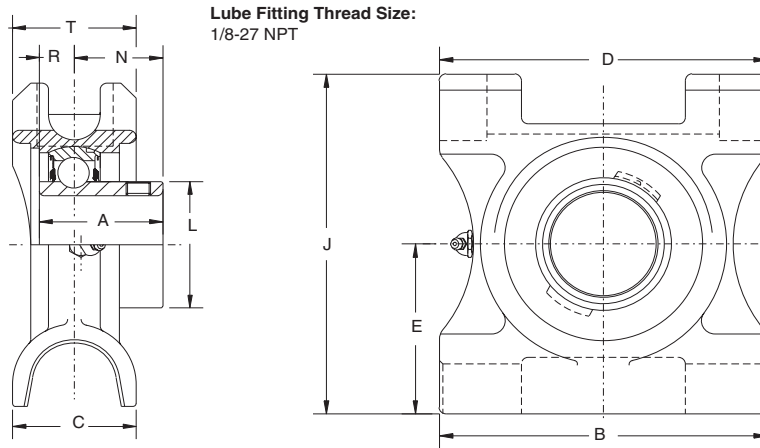
FEATURES/BENEFITS PAGE B3-2	NOMENCLATURE PAGE B3-6	SELECTION PAGE B3-6	MODIFICATION/ACCESSORIES PAGE B3-132
--------------------------------	---------------------------	------------------------	---

SELECTION/DIMENSIONS



Setscrew Ball Bearings

TYPE GM MEDIUM DUTY TOP ANGLE TAKE-UP BEARINGS



Series	Shaft Size	Part No.	Description
210	1-11/16	136070	TP-GM-111
	1-3/4	136080	TP-GM-112
211	1-15/16	136071	TP-GM-115
	2	136081	TP-GM-200
212	2-3/16	136072	TP-GM-203
	2-1/4	136082	TP-GM-204
214	2-7/16	136073	TP-GM-207
	2-1/2	136083	TP-GM-208
215	2-11/16	136076	TP-GM-211
216	2-15/16	136074	TP-GM-215
	3	136084	TP-GM-300
218	3-7/16	136075	TP-GM-307
	3-1/2	136085	TP-GM-308

SELECTION/DIMENSIONS



Setscrew Ball Bearings TYPE GM MEDIUM DUTY TOP ANGLE TAKE-UP BEARINGS

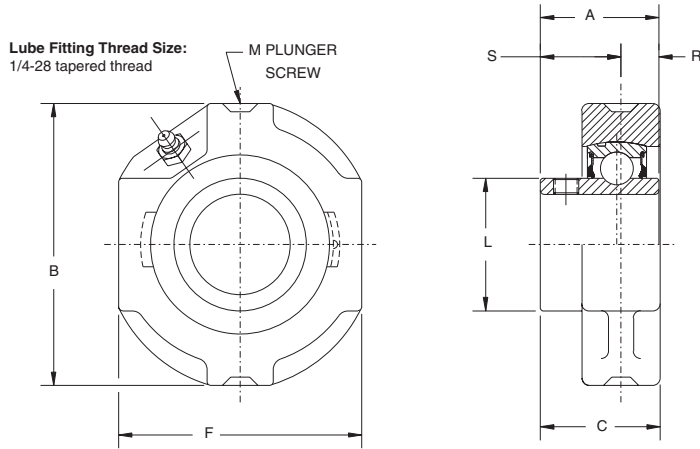
Series	Shaft Size	Weight lbs.	Frame Size	A	B	C	D	E	J	L	N	R	T
210	1-11/16 1-3/4	10.4 10.0	TP10	1-3/4	6-1/2	2-3/8	6	3-1/4	6-3/8	2-7/16	1-5/32	19/32	2-3/8
211	1-15/16 2	12.8 12.5	TP20	1-27/32	7	2-1/2	6-3/4	3-3/8	6-7/8	2-23/32	1-7/32	5/8	2-3/8
212	2-3/16 2-1/4	16.2 16.0	TP30	1-63/64	7-1/2	2-3/4	7	3-1/2	7-7/16	2-31/32	1-5/16	43/64	2-3/4
214	2-7/16 2-1/2	21.7 21.0	TP40	2-15/64	8-1/2	2-1/2	8	4	8-5/16	3-5/16	1-7/16	51/64	2-3/4
215	2-11/16	25.0	TP40	2-9/32	8-1/2	2-1/2	8	4	8-5/16	3-5/8	1-15/32	13/16	2-3/4
216	2-15/16 3	29.8 29.5	TP50	2-11/64	9-1/2	2-3/4	9	4-1/2	9-5/8	3-53/64	1-1/2	43/64	3-1/8
218	3-7/16 3-1/2	40.2 40.0	TP60	2-31/64	11	3-1/8	10-1/2	5-1/2	11	4-23/64	1-9/16	59/64	3-1/8

FEATURES/BENEFITS PAGE B3-2	NOMENCLATURE PAGE B3-6	SELECTION PAGE B3-6	MODIFICATION/ACCESSORIES PAGE B3-132
--------------------------------	---------------------------	------------------------	---

SELECTION/DIMENSIONS



Setscrew Ball Bearings SC NORMAL DUTY HANGER BEARINGS



Series	Shaft Size	Part No.	Description
206	1-1/16	124420	HNG-SC-101
	1-1/8	124421	HNG-SC-102
	1-3/16	124240	HNG-SC-103
	1-1/4	123176	HNG-SC-104S
207	1-1/4	124422	HNG-SC-104
	1-5/16	124423	HNG-SC-105
	1-3/8	124424	HNG-SC-106
210	1-7/16	124242	HNG-SC-107
	1-15/16	124245	HNG-SC-115
	2	124393	HNG-SC-200

These bearings are designed for use in 4-point hanger frames.

FEATURES/BENEFITS PAGE B3-2	NOMENCLATURE PAGE B3-6	SELECTION PAGE B3-6	MODIFICATION/ACCESSORIES PAGE B3-132
--------------------------------	---------------------------	------------------------	---

SELECTION/DIMENSIONS



Setscrew Ball Bearings SC NORMAL DUTY HANGER BEARINGS

Series	Shaft Size	Weight lbs.	A	B	C	F	L	M	R	S
206	1-1/16	2.0	1-25/64	3-5/8	1-15/32	3	1-37/64	1/2	31/64	29/32
	1-1/8	1.9								
	1-3/16	1.8								
	1-1/4	1.7								
207	1-1/4	2.8	1-17/32	4-1/4	1-43/64	3-1/2	1-27/32	1/2	1/2	1-1/32
	1-5/16	2.6								
	1-3/8	2.4								
	1-7/16	2.2								
210	1-15/16	6.2	1-3/4	5	1-31/32	4-3/16	2-7/16	5/8	19/32	1-5/32
	2	6.0								

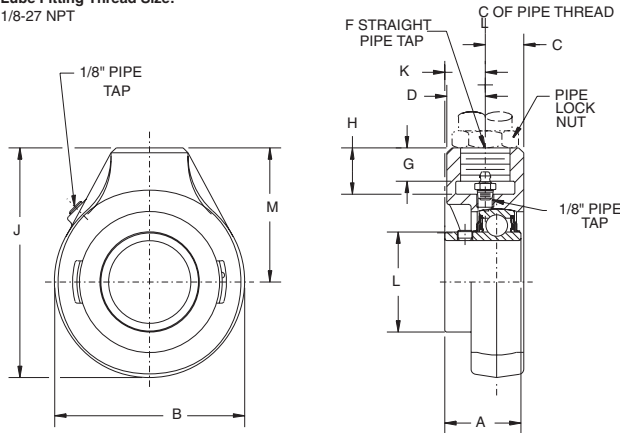
FEATURES/BENEFITS PAGE B3-2	NOMENCLATURE PAGE B3-6	SELECTION PAGE B3-6	MODIFICATION/ACCESSORIES PAGE B3-132
--------------------------------	---------------------------	------------------------	---



SELECTION/DIMENSIONS

Setscrew Ball Bearings SC NORMAL DUTY SCREW CONVEYOR HANGER BEARINGS

Lube Fitting Thread Size:
1/8-27 NPT



Series	Shaft Size	Part No.	Description
206	1	057878	SCHB-SC-100
	1-1/8	@	SCHB-SC-102
207	1-3/16	057220	SCHB-SC-103
	1-1/4	124996	SCHB-SC-104
	1-3/8	058630	SCHB-SC-106
208	1-7/16	126049	SCHB-SC-107
	1-1/2	124290	SCHB-SC-108
	1-5/8	124404	SCHB-SC-110
210	1-11/16	124408	SCHB-SC-111
	1-3/4	124299	SCHB-SC-112
	1-15/16	124405	SCHB-SC-115
	2	124291	SCHB-SC-200
212	2-3/16	124409	SCHB-SC-203
	2-1/4	124419	SCHB-SC-204
	2-7/16	124292	SCHB-SC-207
216	2-15/16	124406	SCHB-SC-215
	3	124293	SCHB-SC-300
218	3-7/16	053320	SCHB-SC-307
	3-1/2	057361	SCHB-SC-308

@ Assembled to order

FEATURES/BENEFITS PAGE B3-2	NOMENCLATURE PAGE B3-6	SELECTION PAGE B3-6	MODIFICATION/ACCESSORIES PAGE B3-132
--------------------------------	---------------------------	------------------------	---

SELECTION/DIMENSIONS



Setscrew Ball Bearings SC NORMAL DUTY SCREW CONVEYOR HANGER BEARINGS

Series	Size	Weight Lbs.	A	B	C	D	F*	G	H	J	K	L	M
206	1 1-1/8	3.0	1-25/64	3-1/8	53/64	47/64	3/4 - 14	3/4	15/16	4-1/16	55/64	1-37/64	2-1/2
207	1-3/16	3.5	1-17/32	3-7/8	53/64	53/64	3/4 - 14	5/8	15/16	4-11/16	31/32	1-27/32	2-3/4
	1-1/4	3.5											
	1-3/8	3.5											
208	1-7/16	3.4	1-11/16	4	53/64	53/64	3/4 - 14	5/8	15/16	4-7/8	59/64	2-3/64	2-7/8
	1-1/2	3.4											
	1-5/8	3.8											
210	1-11/16	5.4	1-3/4	4-5/8	15/16	7/8	1 - 11 1/2	13/16	1-1/8	5-9/16	7/8	2-7/16	3-1/4
	1-3/4	4.8											
	1-15/16	4.5											
	2	4.4											
212	2-3/16	5.0	1-63/64	5-1/2	1-5/32	1-5/32	1-1/4 - 11 1/2	1-1/8	1-7/16	6-3/4	31/32	2-31/32	4
	2-1/4	5.0											
	2-7/16	7.4											
216	2-15/16	14.0	2-11/64	7	1-23/64	1-13/32	1-1/2 - 11 1/2	1-1/4	1-11/16	8-3/8	1-11/64	3-53/64	4-7/8
	3	14.6											
218	3-7/16	21.2	2-31/64	8-5/16	1-3/4	1-3/4	2 - 11 1/2	1-3/4	2-3/16	10-5/32	1-23/64	4-23/64	6
	3-1/2	21.0											

Use straight thread for the pipe. Bearing to be secured with a heavy locknut

Pipe plug and lube fitting are factory installed and may be reversed from position shown

NOTE: Inserts use the ProGuard Plus (-FF) seals. 1, 1-3/16, 1-7/16, 1-11/16, 1-3/4, 2-3/16, 2-1/4
2-15/16, 3, 3-7/16 & 3-1/2 use SCM inserts with flingers.

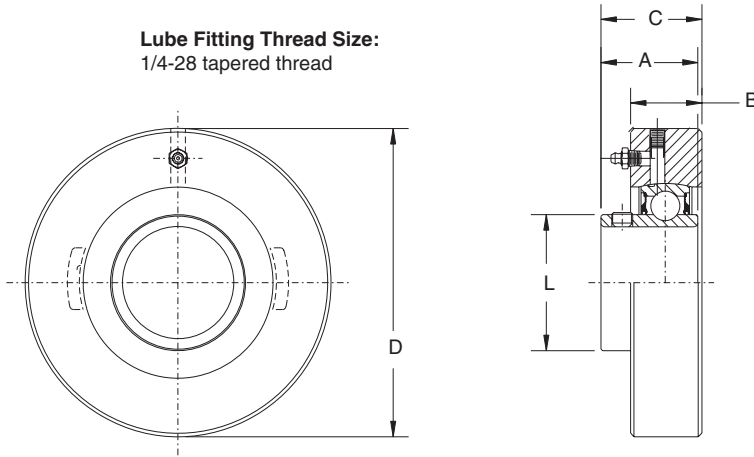
FEATURES/BENEFITS PAGE B3-2	NOMENCLATURE PAGE B3-6	SELECTION PAGE B3-6	MODIFICATION/ACCESSORIES PAGE B3-132
--------------------------------	---------------------------	------------------------	---

SELECTION/DIMENSIONS



Setscrew Ball Bearings SC NORMAL DUTY CYLINDRICAL UNITS

Lube Fitting Thread Size:
1/4-28 tapered thread



Series	Shaft Size	Part No.	Description
205	7/8	124394	CYL-SC-014
	15/16	124148	CYL-SC-015
	1	124149	CYL-SC-100
206	1-1/16	124427	CYL-SC-101
	1-1/8	124428	CYL-SC-102
	1-3/16	124250	CYL-SC-103
	1-1/4	123177	CYL-SC-104S
207	1-1/4	124251	CYL-SC-104
	1-5/16	124429	CYL-SC-105
	1-3/8	124430	CYL-SC-106
	1-7/16	124253	CYL-SC-107

SELECTION/DIMENSIONS



Setscrew Ball Bearings SC NORMAL DUTY CYLINDRICAL UNITS

Series	Shaft Size	Weight lbs.	A	B	C	D#	L
205	7/8	1.4	1-3/16	27/32	1-11/64	3-1/8	1-21/64
	15/16	1.3					
	1	1.2					
206	1-1/16	2.2	1-25/64	15/16	1-11/32	3-1/2	1-37/64
	1-1/8	2.1					
	1-3/16	2.0					
	1-1/4	1.9					
207	1-1/4	2.8	1-17/32	1-1/16	1-17/32	3-7/8	1-27/32
	1-5/16	2.7					
	1-3/8	2.6					
	1-7/16	2.5					

+.000" -.002

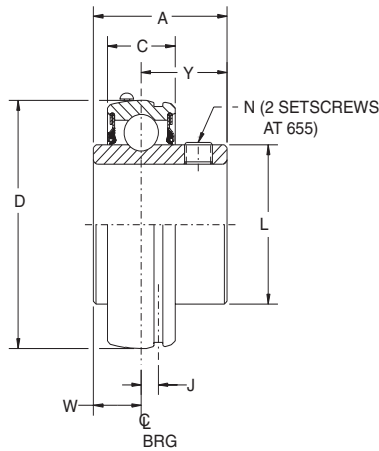
To prevent the housing from rotating in the machine frame, tap a hole on the joint between the housing O.D. and the machine frame bore and lock with a setscrew.

FEATURES/BENEFITS PAGE B3-2	NOMENCLATURE PAGE B3-6	SELECTION PAGE B3-6	MODIFICATION/ACCESSORIES PAGE B3-132
--------------------------------	---------------------------	------------------------	---

SELECTION/DIMENSIONS



Setscrew Ball Bearings SC NORMAL DUTY BEARING INSERTS



Series	Shaft Size	Standard Insert		Insert With Flingers		Corrosion Resistant Insert		High Temp	
		Part No.	Description	Part No.	Description	Part No.	Description	Part No.	Description
203	1/2	123328	INS-SC-008	052159	INS-SC-008-FF	059759	INS-SC-008-CR*	-----	INS-SC-008-HT
	5/8	123329	INS-SC-010	@	INS-SC-010-FF	@	INS-SC-010-CR*	-----	INS-SC-010-HT
	17mm	125800	INS-SC-17M	@	INS-SC-17M-FF	@	INS-SC-17M-CR*	-----	INS-SC-17M-HT
204	1/2	123330	INS-SC-008L	@	INS-SC-008L-FF	052981	INS-SC-008L-CR*	@	INS-SC-008L-HT
	5/8	123331	INS-SC-010L	124932	INS-SC-010L-FF	127073	INS-SC-010L-CR*	@	INS-SC-010L-HT
	3/4	123332	INS-SC-012	123070	INS-SC-012-FF	045600	INS-SC-012-CR	052032	INS-SC-012-HT
	13/16 20mm	@ 125802	INS-SC-013 INS-SC-20M	@ 050524	INS-SC-013-FF INS-SC-20M-FF	@ 125873	INS-SC-013-CR* INS-SC-20M-CR*	@ @	INS-SC-013-HT INS-SC-20M-HT
205	7/8	123333	INS-SC-014	124931	INS-SC-014-FF	058665	INS-SC-014-CR*	@	INS-SC-014-HT
	15/16	123334	INS-SC-015	123069	INS-SC-015-FF	@	INS-SC-015-CR*	@	INS-SC-015-HT
	1	123335	INS-SC-100	123071	INS-SC-100-FF	045601	INS-SC-100-CR	054949	INS-SC-100-HT
	25mm	125804	INS-SC-25M	052620	INS-SC-25M-FF	050580	INS-SC-25M-CR	@	INS-SC-25M-HT
206	1-1/16	123336	INS-SC-101	@	INS-SC-101-FF	@	INS-SC-101-CR*	@	INS-SC-101-HT
	1-1/8	123337	INS-SC-102	123234	INS-SC-102-FF	@	INS-SC-102-CR*	@	INS-SC-102-HT
	1-3/16	123338	INS-SC-103	123072	INS-SC-103-FF	045602	INS-SC-103-CR	@	INS-SC-103-HT
	1-1/4	123469	INS-SC-104S	123073	INS-SC-104S-FF	045603	INS-SC-104S-CR	@	INS-SC-104S-HT
	30mm	125806	INS-SC-30M	052621	INS-SC-30M-FF	125874	INS-SC-30M-CR	@	INS-SC-30M-HT
207	1-1/4	123339	INS-SC-104	123074	INS-SC-104-FF	045412	INS-SC-104-CR	053776	INS-SC-104-HT
	1-5/16	123340	INS-SC-105	057102	INS-SC-105-FF	058345	INS-SC-105-CR*	057201	INS-SC-105-HT
	1-3/8	123341	INS-SC-106	123460	INS-SC-106-FF	058965	INS-SC-106-CR*	057354	INS-SC-106-HT
	1-7/16	123368	INS-SC-107	123075	INS-SC-107-FF	045604	INS-SC-107-CR	052645	INS-SC-107-HT
	35mm	125808	INS-SC-35M	052622	INS-SC-35M-FF	050653	INS-SC-35M-CR	@	INS-SC-35M-HT

© Assembled to order

* 20 piece minimum

FEATURES/BENEFITS
PAGE B3-2NOMENCLATURE
PAGE B3-6SELECTION
PAGE B3-6MODIFICATION/ACCESSORIES
PAGE B3-132

SELECTION/DIMENSIONS



Setscrew Ball Bearings SC NORMAL DUTY BEARING INSERTS

Bearing Quick Reference

E-Z KLEEN

GRIP TIGHT Adapter Ball Bearing

Setscrew Ball Bearing

Eccentric Collar Ball Bearing

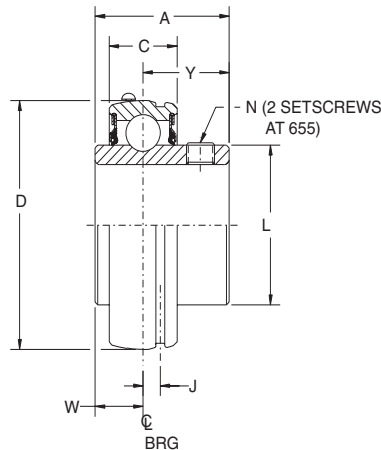
Series	Shaft Size	Weight lbs. kgs.	A	C	D	J	L	N	W	Y
203	1/2	.25	1	.511	1.5748	0.150	31/32	10-32	23/64	41/64
	5/8	.23								
	17mm	.10	25.4	13.0	40.0	3.0	24.6	M5x.8	9.1	16.3
204	1/2	.38	1-5/32	.5906	1.8504	0.152	1-1/8	10-32	27/64	47/64
	5/8	.35						10-32		
	3/4	.32						1/4-28		
	13/16	.29						1/4-28		
	20mm	.16	29.4	15.0	47.0	3.9	28.6	M6x1	10.7	18.7
205	7/8	.43	1-3/16	.5906	2.0472	.152	1-21/64	1/4-28	27/64	49/64
	15/16	.40								
	1	.37								
206	25mm	.18	30.2	15.0	52.0	3.9	33.7	M6x1	10.7	19.4
	1-1/16	.67	1-25/64	.7067	2.4409	.190	1-37/64	5/16-24	31/64	29/32
	1-1/8	.63						5/16-24		
	1-3/16	.60						5/16-24		
	1-1/4	.58						1/4-28		
30mm	.27	35.3	18.0	62.0	4.8	40.1	M8x1.25	12.3	23.0	
207	1-1/4	1.02	1-17/32	.7480	2.8346	.202	1-27/32	5/16-24	1/2	1-1/32
	1-5/16	.97								
	1-3/8	.92								
	1-7/16	.86								
	35mm	.44	38.9	19.0	72.0	5.1	46.8	M8x1.25	12.7	26.2

FEATURES/BENEFITS PAGE B3-2	NOMENCLATURE PAGE B3-6	SELECTION PAGE B3-6	MODIFICATION/ACCESSORIES PAGE B3-132
--------------------------------	---------------------------	------------------------	---

SELECTION/DIMENSIONS



Setscrew Ball Bearings SC NORMAL DUTY BEARING INSERTS



Series	Shaft Size	Standard Insert		Insert With Flingers		Corrosion Resistant Insert		High Temp	
		Part No.	Description	Part No.	Description	Part No.	Description	Part No.	Description
208	1-1/2	123342	INS-SC-108	123075	INS-SC-108-FF	045605	INS-SC-108-CR	@	INS-SC-108-HT
	1-5/8	123343	INS-SC-110	123409	INS-SC-110-FF	@	INS-SC-110-CR*	@	INS-SC-110-HT
	40mm	125810	INS-SC-40M	052623	INS-SC-40M-FF	050654	INS-SC-40M-CR	@	INS-SC-40M-HT
209	1-5/8	045874	INS-SC-110L	@	INS-SC-110L-FF	@	INS-SC-110L-CR*	@	INS-SC-110L-HT
	1-11/16	123344	INS-SC-111	@	INS-SC-111-FF	125004	INS-SC-111-CR	053565	INS-SC-111-HT
	1-3/4	123345	INS-SC-112	045677	INS-SC-112-FF	054145	INS-SC-112-CR*	@	INS-SC-112-HT
	1-13/16	054225	INS-SC-113	@	INS-SC-113-FF	@	INS-SC-113-CR*	@	INS-SC-113-HT
	45mm	125812	INS-SC-45M	@	INS-SC-45M-FF	125005	INS-SC-45M-CR*	@	INS-SC-45M-HT
210	1-15/16	123346	INS-SC-115	123077	INS-SC-115-FF	045606	INS-SC-115-CR	054019	INS-SC-115-HT
	2	123347	INS-SC-200	123413	INS-SC-200-FF	045338	INS-SC-200-CR	054431	INS-SC-200-HT
	50mm	125814	INS-SC-50M	@	INS-SC-50M-FF	050656	INS-SC-50M-CR	@	INS-SC-50M-HT
211	2	123358	INS-SCM-200	@	INS-SCM-200-FF	125175	INS-SCM-200-CR*	058157	INS-SCM-200-HT
	2-3/16	123348	INS-SC-203	058230	INS-SC-203-FF	058178	INS-SC-203-CR*	@	INS-SC-203-HT
	2-1/4	123349	INS-SC-204	058220	INS-SC-204-FF	053825	INS-SC-204-CR*	@	INS-SC-204-HT
	55mm	125816	INS-SC-55M	@	INS-SC-55M-FF	@	INS-SC-55M-CR*	@	INS-SC-55M-HT
212	2-1/4	123360	INS-SCM-204	064636	INS-SCM-204-FF	053900	INS-SCM-204-CR*	@	INS-SCM-204-HT
	2-7/16	123350	INS-SC-207	123416	INS-SC-207-FF	057681	INS-SC-207-CR*	054196	INS-SC-207-HT
	60mm	125818	INS-SC-60M	@	INS-SC-60M-FF	@	INS-SC-60M-CR*	057802	INS-SC-60M-HT
214	2-1/2	123362	INS-SCM-208	@	INS-SCM-208-FF	053831	INS-SCM-208-CR*	@	INS-SCM-208-HT
	2-11/16	123326	INS-SC-211	@	INS-SC-211-FF	@	INS-SC-211-CR*	@	INS-SC-211-HT
	70mm	125820	INS-SC-70M	@	INS-SC-70M-FF	@	INS-SC-70M-CR*	@	INS-SC-70M-HT
215	2-15/16	123352	INS-SC-215	050365	INS-SC-215-FF	@	INS-SC-215-CR*	@	INS-SC-215-HT
	75mm	125822	INS-SC-75M	@	INS-SC-75M-FF	@	INS-SC-75M-CR*	@	INS-SC-75M-HT
218	90mm	@	INS-SC-90M	@	INS-SC-90M-FF	@	INS-SC-90M-CR*	@	INS-SC-90M-HT

@ Assembled to order.

* 20 piece minimum

FEATURES/BENEFITS PAGE B3-2	NOMENCLATURE PAGE B3-6	SELECTION PAGE B3-6	MODIFICATION/ACCESSORIES PAGE B3-132
--------------------------------	---------------------------	------------------------	---

SELECTION/DIMENSIONS



Setscrew Ball Bearings SC NORMAL DUTY BEARING INSERTS

Bearing Quick Reference

E-Z KLEEN

GRIP TIGHT Adapter Ball Bearing

Setcrew Ball Bearing

Eccentric Collar Ball Bearing

Series	Shaft Size	Weight lbs. kgs.	A	C	D	J	L	N	W	Y
208	1-1/2	1.27	1-11/16	.8661	3.149	.224	2-3/64	5/16-24	19/32	1-3/32
	1-5/8	1.13								
	40mm	0.51	42.9	22.0	80.0	5.7	52.0	M8x1.25	15.1	27.8
209	1-5/8	1.49	1-23/32	.8661	3.3465	.248	2-7/32	5/16-24	19/32	1-1/8
	1-11/16	1.43								
	1-3/4	1.36								
	1-13/16	1.30								
	45mm	0.62	43.7	22.0	85.0	6.3	56.4	M8x1.25	15.1	28.6
210	1-15/16	1.48	1-3/4	.8661	3.5433	.248	2-7/16	3/8-24	19/32	1-5/32
	2	1.39								
	50mm	0.67	44.5	22.0	90.0	6.3	61.9	M10x1.5	15.1	29.4
211	2	2.26	1-27/32	.9449	3.9370	.267	2-23/32	3/8-24	5/8	1-7/32
	2-3/16	1.97								
	2-1/4	1.87								
	55mm	0.89	46.8	24.0	100.0	6.8	69.1	M10x1.5	15.9	31.0
212	2-1/4	2.85	1-63/64	1.0240	4.3307	.250	2-31/32	3/8-24	43/64	1-5/16
	2-7/16	2.49								
	60mm	1.13	50.4	26.0	110.0	6.4	75.4	M10x1.5	17.1	33.3
214	2-1/2	4.25	2-15/64	1.1020	4.9213	.264	3-5/16	3/8-24	51/64	1-7/16
	2-11/16	3.60								
	70mm	1.63	56.8	28.0	125.0	6.7	84.1	M10x1.5	20.2	36.5
215	2-15/16	3.86	2-9/32	1.1420	5.1181	.265	3-5/8	3/8-24	13/16	1-15/32
	75mm	1.75	57.9	29.0	130.0	6.7	92.1	M10x1.5	20.6	37.3
218	90mm	3.30	63.1	34.0	160.0	7.6	110.7	M10x1.5	23.4	39.7

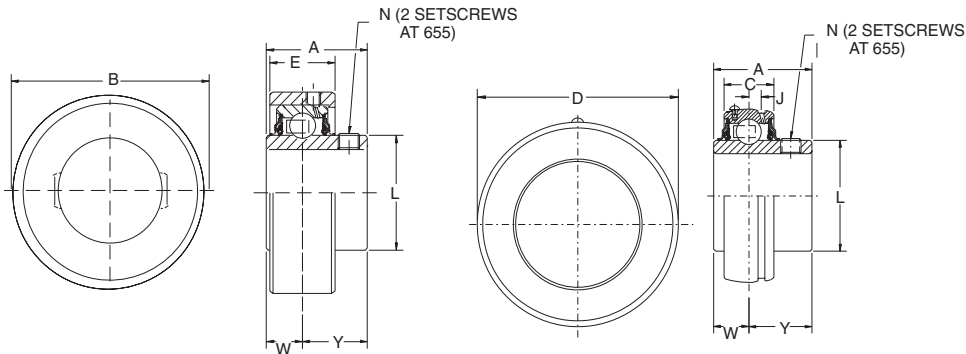
FEATURES/BENEFITS PAGE B3-2	NOMENCLATURE PAGE B3-6	SELECTION PAGE B3-6	MODIFICATION/ACCESSORIES PAGE B3-132
--------------------------------	---------------------------	------------------------	---

SELECTION/DIMENSIONS



Setscrew Ball Bearings

SCH-E EXPANSION AND SCH NON-EXPANSION NORMAL DUTY BEARING INSERTS



Series	Shaft Size	Expansion		Non-Expansion	
		Part No.	Description	Part No.	Description
206	1	@	INS-SCMH-100-E	@	INS-SCMH-100
	1-1/16	@	INS-SCH-101-E	@	INS-SCH-101M
	1-1/8	@	INS-SCH-102-E	@	INS-SCH-102
	1-3/16	126495	INS-SCH-103-E	126490	INS-SCH-103
	1-1/4	@	INS-SCH-104S-E	@	INS-SCH-104S
	30mm	049925	INS-SCH-30M-E	@	INS-SCH-30M
207	1-1/4	@	INS-SCH-104-E	@	INS-SCH-104
	1-5/16	@	INS-SCH-105-E	@	INS-SCH-105
	1-3/8	@	INS-SCH-106-E	@	INS-SCH-106
	1-7/16	126496	INS-SCH-107-E	126491	INS-SCH-107
	35mm	@	INS-SCH-35M-E	@	INS-SCH-35M
209	1-1/2	@	INS-SCMH-108-E	@	INS-SCMH-108
	1-5/8	@	INS-SCH-110-E	@	INS-SCH-110
	1-11/16	@	INS-SCH-111-E	@	INS-SCH-111
	1-3/4	@	INS-SCH-112-E	@	INS-SCH-112
	45mm	@	INS-SCH-45M-E	@	INS-SCH-45M
210	1-11/16	@	INS-SCMH-111-E	@	INS-SCMH-111
	1-3/4	@	INS-SCMH-112-E	@	INS-SCMH-112
	1-15/16	126497	INS-SCH-115-E	126492	INS-SCH-115
	2	@	INS-SCH-200-E	@	INS-SCH-200
211	50mm	@	INS-SCH-50M-E	@	INS-SCH-50M
	1-15/16	@	INS-SCMH-115-E	@	INS-SCMH-115
	2	@	INS-SCMH-200-E	@	INS-SCMH-200
	2-3/16	126498	INS-SCH-203-E	126493	INS-SCH-203
	2-1/4	@	INS-SCH-204-E	@	INS-SCH-204
212	55mm	@	INS-SCH-55M-E	@	INS-SCH-55M
	2-3/16	@	INS-SCMH-203-E	@	INS-SCMH-203
	2-1/4	@	INS-SCMH-204-E	@	INS-SCMH-204
	2-7/16	126499	INS-SCH-207-E	126494	INS-SCH-207
	60mm	@	INS-SCH-60M-E	@	INS-SCH-60M

@Assembled to order

FEATURES/BENEFITS PAGE B3-2	NOMENCLATURE PAGE B3-6	SELECTION PAGE B3-6	MODIFICATION/ACCESSORIES PAGE B3-132
--------------------------------	---------------------------	------------------------	---

SELECTION/DIMENSIONS



Setscrew Ball Bearings SCH-E EXPANSION AND SCH NON-EXPANSION NORMAL DUTY BEARING INSERTS

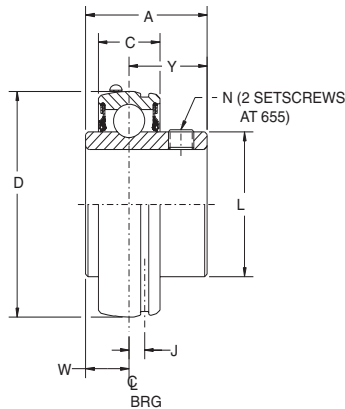
Series	Shaft Size	Weight - Expansion lbs kgs	Weight - Non-Expansion lbs kgs	A	B	C	D	E	J	L	N	W	Y
206	1	1.29	0.69	1-25/64	2.875	15/16	2.4409	15/16	0.190	1-37/64	5/16-24	31/64	29/32
	1-1/16	1.26	0.66										
	1-1/8	1.23	0.63										
	1-3/16	1.20	0.60										
	1-1/4	1.18	0.58										
	30mm	0.54	0.26	35.3	73.0	23.8	62.0	23.8	4.8	40.1	M8x1.25	12.3	23.0
207	1-1/4	1.50	1.02	1-17/32	3.272	1	2.8346	1	0.190	1-27/32	5/16-24	1/2	1-1/32
	1-5/16	1.49	0.97										
	1-3/8	1.48	0.92										
	1-7/16	1.47	0.86										
	35mm	0.67	0.44	38.9	83.1	25.4	72.0	25.4	5.1	46.8	M8x1.25	12.7	26.2
209	1-1/2	2.51	1.62	1-23/32	3.813	1-1/4	3.3465	1-1/4	0.248	2-7/32	5/16-24	19/32	1-1/8
	1-5/8	2.48	1.49										
	1-11/16	2.45	1.43										
	1-3/4	2.43	1.36										
	45mm	1.10	1.30	43.7	96.8	31.8	85.0	31.8	6.3	56.4	M8x1.25	15.1	28.6
210	1-11/16	2.56	1.82	1-3/4	4.000	1-13/32	3.5433	1-13/32	0.248	2-7/16	3/8-24	19/32	1-5/32
	1-3/4	2.53	1.74										
	1-15/16	2.50	1.48										
	2	2.48	1.39										
	50mm	1.13	0.67	44.5	101.6	35.7	90.0	35.7	6.3	61.9	M10x1.5	15.1	29.4
211	1-15/16	3.46	2.36	1-27/32	4.475	1-7/16	3.9370	1-7/16	0.267	2-23/32	3/8-24	5/8	1-7/32
	2	3.43	2.26										
	2-3/16	3.40	1.97										
	2-1/4	3.38	1.87										
	55mm	1.53	0.89	46.8	113.7	36.5	100.0	36.5	6.3	69.1	M10x1.5	15.9	31.0
212	2-3/16	4.56	2.97	1-63/64	5.035	1-5/8	4.3307	1-5/8	0.250	2-31/32	3/8-24	43/64	1-5/16
	2-1/4	4.53	2.85										
	2-7/16	4.50	2.49										
	60mm	2.04	1.13	50.4	127.9	41.3	110.0	41.3	6.4	75.4	M10x1.5	17.1	33.3

FEATURES/BENEFITS PAGE B3-2	NOMENCLATURE PAGE B3-6	SELECTION PAGE B3-6	MODIFICATION/ACCESSORIES PAGE B3-132
--------------------------------	---------------------------	------------------------	---

SELECTION/DIMENSIONS



Setscrew Ball Bearings SCM MEDIUM DUTY BEARING INSERTS



Series	Shaft Size	Standard Insert		Insert With Flingers		Corrosion Resistant Insert		High Temp	
		Part No.	Description	Part No.	Description	Part No.	Description	Part No.	Description
206	1	123419	INS-SCM-100	@	INS-SCM-100-FF	@	INS-SCM-100-CR*	@	INS-SCM-100-HT
	25mm	125825	INS-SCM-25M	@	INS-SCM-25M-FF	@	INS-SCM-25M-CR*	@	INS-SCM-25M-HT
207	1-3/16	123420	INS-SCM-103	052841	INS-SCM-103-FF	@	INS-SCM-103-CR*	@	INS-SCM-103-HT
	1-1/4	123339	INS-SC-104	123074	INS-SC-104-FF	045412	INS-SC-104-CR	053776	INS-SC-104-HT
	30mm	125826	INS-SCM-30M	@	INS-SCM-30M-FF	@	INS-SCM-30M-CR*	@	INS-SCM-30M-HT
208	1-7/16	123353	INS-SCM-107	123445	INS-SCM-107-FF	@	INS-SCM-107-CR*	@	INS-SCM-107-HT
	1-1/2#	123342	INS-SC-108	123076	INS-SC-108-FF	045605	INS-SC-108-CR	@	INS-SC-108-HT
	35mm	125828	INS-SCM-35M	@	INS-SCM-35M-FF	@	INS-SCM-35M-CR*	@	INS-SCM-35M-HT
209	1-1/2	123354	INS-SCM-108	@	INS-SCM-108-FF	@	INS-SCM-108-CR*	@	INS-SCM-108-HT
	1-5/8	045874	INS-SC-110L	@	INS-SC-110L-FF	@	INS-SC-110L-CR*	@	INS-SC-110L-HT
	40mm	125830	INS-SCM-40M	@	INS-SCM-40M-FF	@	INS-SCM-40M-CR*	@	INS-SCM-40M-HT
210	1-11/16	123355	INS-SCM-111	051787	INS-SCM-111-FF	@	INS-SCM-111-CR*	@	INS-SCM-111-HT
	1-3/4	123356	INS-SCM-112	@	INS-SCM-112-FF	@	INS-SCM-112-CR*	@	INS-SCM-112-HT
	45mm	125832	INS-SCM-45M	@	INS-SCM-45M-FF	@	INS-SCM-45M-CR*	@	INS-SCM-45M-HT
211	1-15/16	123357	INS-SCM-115	050493	INS-SCM-115-FF	058397	INS-SCM-115-CR*	@	INS-SCM-115-HT
	2	123358	INS-SCM-200	@	INS-SCM-200-FF	125175	INS-SCM-200-CR*	058157	INS-SCM-200-HT
	50mm	125834	INS-SCM-50M	@	INS-SCM-50M-FF	@	INS-SCM-50M-CR*	@	INS-SCM-50M-HT
212	2-3/16	123359	INS-SCM-203	050186	INS-SCM-203-FF	@	INS-SCM-203-CR*	@	INS-SCM-203-HT
	2-1/4	123360	INS-SCM-204	064636	INS-SCM-204-FF	053900	INS-SCM-204-CR*	@	INS-SCM-204-HT
	55mm	125836	INS-SCM-55M	@	INS-SCM-55M-FF	@	INS-SCM-55M-CR*	@	INS-SCM-55M-HT
214	2-7/16	123361	INS-SCM-207	123424	INS-SCM-207-FF	@	INS-SCM-207-CR*	056912	INS-SCM-207-HT
	2-1/2	123362	INS-SCM-208	@	INS-SCM-208-FF	053831	INS-SCM-208-CR*	@	INS-SCM-208-HT
	60mm	125838	INS-SCM-65M	@	INS-SCM-65M-FF	@	INS-SCM-65M-CR*	@	INS-SCM-65M-HT
215	2-11/16	123363	INS-SCM-211	@	INS-SCM-211-FF	@	INS-SCM-211-CR*	@	INS-SCM-211-HT
	70mm	125840	INS-SCM-70M	@	INS-SCM-70M-FF	@	INS-SCM-70M-CR*	@	INS-SCM-70M-HT
216	2-15/16	123364	INS-SCM-215	123456	INS-SCM-215-FF	045764	INS-SCM-215-CR*	049918	INS-SCM-215-HT
	3	123365	INS-SCM-300	123457	INS-SCM-300-FF	@	INS-SCM-300-CR*	@	INS-SCM-300-HT
	75mm	125842	INS-SCM-75M	@	INS-SCM-75M-FF	@	INS-SCM-75M-CR*	@	INS-SCM-75M-HT
218	3-7/16	123366	INS-SCM-307	123423	INS-SCM-307-FF	045765	INS-SCM-307-CR*	@	INS-SCM-307-HT
	3-1/2	123367	INS-SCM-308	@	INS-SCM-308-FF	@	INS-SCM-308-CR*	@	INS-SCM-308-HT
	85mm	125844	INS-SCM-85M	@	INS-SCM-85M-FF	@	INS-SCM-85M-CR*	@	INS-SCM-85M-HT

© Assembled to order

SCM Piloted Flange Only

FEATURES/BENEFITS PAGE B3-2	NOMENCLATURE PAGE B3-6	SELECTION PAGE B3-6	MODIFICATION/ACCESSORIES PAGE B3-132
--------------------------------	---------------------------	------------------------	---

SELECTION/DIMENSIONS



Setscrew Ball Bearings SCM MEDIUM DUTY BEARING INSERTS

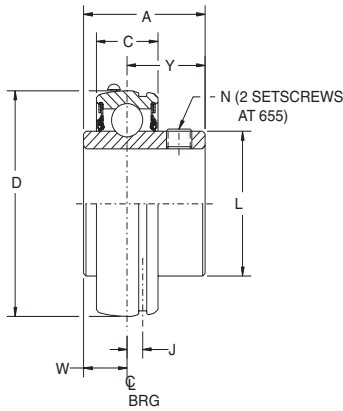
Series	Shaft Size	Weight lbs.	A	C	D	J	L	N	W	Y
206	1	0.71	1-25/64	.7067	2.4409	.190	1-37/64	5/16-24	31/64	29/32
	25mm	0.32	35.3	18.0	62.0	4.8	40.1	M8x1.25	23.0	23.0
207	1-3/16	1.07	1-17/32	.7480	2.8346	.202	1-27/32	5/16-24	1/2	1-1/32
	1-1/4 30mm	1.02 0.53	38.9	19.0	72.0	5.1	46.8	M8x1.25	12.7	26.2
208	1-7/16	1.32	1-11/16	.8661	3.1496	.224	2-3/64	5/16-24	19/32	1-3/32
	1-1/2 35mm	1.27 0.60	42.9	22.0	80.0	5.7	52.0	M8x1.25	15.1	27.8
209	1-1/2	1.62	1-23/32	.8661	3.3465	.248	2-7/32	5/16-24	19/32	1-1/8
	1-5/8 40mm	1.49 0.71	43.7	22.0	85.0	6.3	56.4	M8x1.25	15.1	28.6
210	1-11/16	1.82	1-3/4	.8661	3.5433	.248	2-7/16	3/8-24	19/32	1-5/32
	1-3/4 45mm	1.74 0.76	44.5	22.0	90.0	6.3	61.9	M10x1.5	15.1	29.4
211	1-15/16	2.36	1-27/32	.9449	3.9370	.267	2-23/32	3/8-24	5/8	1-7/32
	2 50mm	2.26 1.03	46.8	24.0	100.0	6.8	69.1	M10x1.5	15.9	31
212	2-3/16	2.97	1-63/64	1.0240	4.3307	.250	2-31/32	3/8-24	43/64	1-5/16
	2-1/4 55mm	2.85 1.27	50.4	26.0	110.0	6.4	75.4	M10x1.5	17.1	33.3
214	2-7/16	4.39	2-15/64	1.1020	4.3307	.265	3-5/16	3/8-245	51/64	1-7/16
	2-1/2 60mm	4.25 1.86	56.8	28.0	110.0	6.7	84.1	M10x1.	20.2	36.5
215	2-11/16	4.49	2-9/32	1.1420	5.1181	.265	3-5/8	3/8-24	13/16	1-15/32
	2-1/2 70mm	1.98 5.54	57.9	29.0	130.0	6.7	92.1	M10x1.5	20.6	37.3
216	2-15/16	5.54	2-11/32	1.1810	5.5118	.285	3-53/64	3/8-24	43/64	1-1/2
	3 75mm	5.52 2.51	59.5	30.0	140.0	7.2	97.2	M10x.15	17.1	38.1
218	3-7/16	7.35	2-31/64	1.3400	6.2992	.300	4-23/64	3/8-24	59/64	1-9/16
	3-1/2 85mm	7.33 3.33	63.1	34.0	160.0	7.6	110.7	M10x1.5	23.4	39.7

FEATURES/BENEFITS PAGE B3-2	NOMENCLATURE PAGE B3-6	SELECTION PAGE B3-6	MODIFICATION/ACCESSORIES PAGE B3-132
--------------------------------	---------------------------	------------------------	---

SELECTION/DIMENSIONS



Setscrew Ball Bearings VSC INTERMEDIATE DUTY BEARING INSERTS



Series	Shaft Size	Part No.	Description
203	1/2	389923	INS-VSC-008
	5/8	389924	INS-VSC-010
	17mm	125636	INS-VSC-17M
204	3/4	389925	INS-VSC-012
	20mm	125637	INS-VSC-20M
205	7/8	389936	INS-VSC-014
	15/16	389937	INS-VSC-015
	1	389926	INS-VSC-100
	25mm	125638	INS-VSC-25M
206	1-1/8	389938	INS-VSC-102
	1-3/16	389927	INS-VSC-103
	1-1/4	389934	INS-VSC-104S
	30mm	123235	INS-VSC-30M
207	1-1/4	389928	INS-VSC-104
	1-3/8	389939	INS-VSC-106
	1-7/16	389929	INS-VSC-107
	35mm	125639	INS-VSC-35M
208	1-1/2	389930	INS-VSC-108
	40mm	125640	INS-VSC-40M
209	1-11/16	389940	INS-VSC-111
	1-3/4	389941	INS-VSC-112
	45mm	125641	INS-VSC-45M
210	1-15/16	389931	INS-VSC-115
	2	389932	INS-VSC-200
	50mm	125642	INS-VSC-50M
211	2	389935	INS-VSC-200L
	2-3/16	389933	INS-VSC-203
	55mm	125643	INS-VSC-55M

SELECTION/DIMENSIONS



Setscrew Ball Bearings VSC INTERMEDIATE DUTY BEARING INSERTS

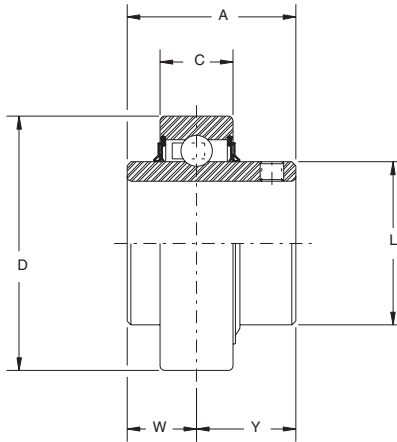
Series	Shaft Size	Weight lbs. kg.	A	C	D	J	L	N	W	Y
203	1/2	0.23	15/16	0.5110	1.5748	0.150	31/32	10-32	19/64	41/64
	5/8 17mm	0.21 0.10	23.8	13.0	40.0	3.8	24.6	M5 x 8	7.5	16.3
204	3/4	0.25	1-1/16	0.5906	1.8504	0.152	1-21/64	1/4-28	21/64	49/64
	20mm	0.11	27.0	15.0	47.0	3.9	28.6	M6 x 1	8.3	18.7
205	7/8	0.41	1-3/32	0.5906	2.0472	0.152	1-37/64	5/16-24	25/64	29/32
	15/16 1 25mm	0.38 0.25 0.17	27.8	15.0	52.0	3.9	33.7	M6 x 1	8.3	19.4
206	1-1/8	0.61	1-19/64	0.7067	2.4409	0.190	1-27/32	5/16-24	13/32	1-1/32
	1-3/16 1-1/4 30mm	0.58 0.56 0.25	32.9	18.0	62.0	4.8	40.1	M8 x 1.25	9.9	23.0
207	1-1/4	0.92	1-7/16	0.7480	2.8346	0.202	2-3/64	5/16-24	15/32	1-3/32
	1-3/8 1-7/16 35mm	0.88 0.75 0.38	36.5	19.0	72.0	5.1	46.8	M8 x 1.25	10.3	26.2
208	1-1/2	1.20	1-9/16	0.8661	3.1496	0.224	2-7/32	5/16-24	15/32	1-1/8
	40mm	0.52	39.7	22.0	80.0	5.7	52.0	M8 x 1.25	11.9	27.8
209	1-11/16	1.41	1-19/32	0.8661	3.3465	0.248	2-7/16	3/8-24	15/32	1-5/32
	1-3/4 45mm	1.34 0.61	40.5	22.0	85.0	6.3	56.4	M8 x 1.25	11.9	28.6
210	1-15/16	1.46	1-5/8	0.8661	3.5433	0.248	2-23/32	3/8-24	1/2	1-7/32
	2 50mm	1.37 0.63	41.3	22.0	90.0	6.3	61.9	M10 x 1.5	11.9	29.4
211	2	2.24	1-23/32	0.9449	3.9370	0.267	2-23/32	3/8-24	1/2	1-7/32
	2-3/16 55mm	1.95 0.97	43.7	24.0	100.0	6.8	69.1	M10 x 1.5	12.7	31.0

FEATURES/BENEFITS PAGE B3-2	NOMENCLATURE PAGE B3-6	SELECTION PAGE B3-6	MODIFICATION/ACCESSORIES PAGE B3-132
--------------------------------	---------------------------	------------------------	---

SELECTION/DIMENSIONS



Setscrew Ball Bearings CC BALL BEARING FAN AND BLOWER INSERTS



Series	Shaft Size	Part No.	Description
205	15/16	134161	INS-CC-015
	1	134162	INS-CC-100
206	1-1/8	134164	INS-CC-102
	1-3/16	134165	INS-CC-103
207	1-1/4	134166	INS-CC-104
	1-3/8	134168	INS-CC-106
	1-7/16	134169	INS-CC-107
209	1-11/16	134170	INS-CC-111
	1-3/4	134171	INS-CC-112
210	1-15/16	134172	INS-CC-115
211	2-3/16	134174	INS-CC-203

FEATURES/BENEFITS PAGE B3-2	NOMENCLATURE PAGE B3-6	SELECTION PAGE B3-6	MODIFICATION/ACCESSORIES PAGE B3-132
--------------------------------	---------------------------	------------------------	---

SELECTION/DIMENSIONS



Setscrew Ball Bearings CC BALL BEARING FAN AND BLOWER INSERTS

Bearing Quick Reference

E-Z KLEEN

GRIP TIGHT Adapter Ball Bearing

Setscrew Ball Bearing

Eccentric Collar Ball Bearing

Series	Shaft Size	Weight lbs.	A	Nominal C in/mm	Nominal D in/mm	L	W	Y
205	15/16	.54	1-23/64	.5906	2.0472	1-5/16	9/16	51/64
	1	.51		.15	.52			
206	1-1/8	.89	1-9/16	.6299	2.4409	1-19/32	39/64	61/64
	1-3/16	.83		.16	.62			
207	1-1/4	1.44	1-49/64	.6693	2.8346	1-27/32	21/32	1-7/64
	1-3/8	1.26		.17	.72			
	1-7/16	1.20						
209	1-11/16	1.87	2-1/32	.7480	3.3465	2-9/32	51/64	1-15/64
	1-3/4	1.82		.19	.85			
210	1-15/16	2.18	2-3/32	.7874	3.5433	2-15/32	53/64	1-17/64
				.20	.90			
211	2-3/16	2.88	2-1/4	.8268	3.9370	2-3/4	27/32	1-13/32
					.21			

The insert is relubricated through the back seal area of the bearing.

FEATURES/BENEFITS PAGE B3-2	NOMENCLATURE PAGE B3-6	SELECTION PAGE B3-6	MODIFICATION/ACCESSORIES PAGE B3-132
--------------------------------	---------------------------	------------------------	---



Setscrew Ball Bearings

LUBRICANTS

DODGE ball bearings are factory lubricated with Shell Alvania #2 lubricant. For applications where extreme ambient temperatures or speeds are anticipated or environmental considerations require a different lubricant, DODGE has a wide variety of lubricants available. Special lubricant options usually require set-up charges and premiums

SEALS

The PROGUARD PLUS seal is a highly effective positive contact, land riding seal with flingers pressed on to each side of the inner ring offering added protection from wash down or extreme contamination. For high speeds or where seal drag would be an impediment, an all metallic labyrinth seal is available.

HIGH TEMPERATURE

DODGE high temperature bearings are designed to operate in temperatures from 225°F (108°C) to 400°F (205°C). The bearings have adjusted internal clearances, metallic labyrinth seals, high temperature retainers, heat stabilized outer rings, and lubricants to meet the temperature needs of the application. To insure proper replacement, the bearing is identified by a six digit part number etched on a stainless steel nameplate riveted to the housing. The part number identifies the specific feature of the bearing. High temperature bearings are factory assembled to order and are available at extra cost. Consult Dodge Engineering for application assistance at (864)297-4800 or fax (864)281-2317.

AIR HANDLING

Industrial fans and blowers generally operate at high speeds with bearing requirements of long life and quiet operation. Dodge stocks SC, and SCM Air Handling Pillow Blocks and flange bearings that are specifically designed to meet the requirements of the air handling industry. These bearings are 100% noise tested, and have an air handling fit for long life and quiet operation. These bearings are recommended for fan and blower applications. Sizes and housing configurations not listed can be supplied on a made to order basis.

HOUSING MATERIAL

For extra corrosion resistance, a variety of housing finishes are available. Special materials include stainless steel or polymer housing, as an option. These coatings conform to U.S.D.A. and F.D.A. requirements. SC and SCM inserts can be supplied with a corrosion resistant coating on the inner and outer rings, stainless steel balls and set-screws, and nickel plated flingers as well as F.D.A. lubricant.

OTHER MODIFICATIONS

For applications requiring modifications not listed, we encourage you to contact our Customer Order Engineering Department at (864)284-5700 or fax (864)281-2317.

FEATURES/BENEFITS PAGE B3-2	NOMENCLATURE PAGE B3-6	SELECTION PAGE B3-6	SELECTION/DIMENSIONS PAGE B3-10
--------------------------------	---------------------------	------------------------	------------------------------------

RELATED PRODUCTS



Setscrew Ball Bearings HIGH TEMPERATURE SC & SCM BALL BEARINGS

Series	Shaft Size	Pillow Blocks		2 Bolt Flanges		4 Bolt Flanges	
		Part Number	Description	Part Number	Description	Part Number	Description
204	1/2	@	P2B-SC-008L-HT	054843	F2B-SC-008L-HT	@	F4B-SC-008L-HT
	5/8	@	P2B-SC-010L-HT	057474	F2B-SC-010L-HT	@	F4B-SC-010L-HT
	3/4	053670	P2B-SC-012-HT	052618	F2B-SC-012-HT	058263	F4B-SC-012-HT
	20 mm	@	<i>P2B-SC-20M-HT</i>	@	<i>F2B-SC-20M-HT</i>	@	<i>F4B-SC-20M-HT</i>
205	7/8	@	P2B-SC-014-HT	051906	F2B-SC-014-HT	@	F4B-SC-014-HT
	15/16	@	P2B-SC-015-HT	056864	F2B-SC-015-HT	054190	F4B-SC-015-HT
	1	051513	P2B-SC-100-HT	052294	F2B-SC-100-HT	052015	F4B-SC-100-HT
	25 mm	@	<i>P2B-SC-25M-HT</i>	059821	<i>F2B-SC-25M-HT</i>	@	<i>F4B-SC-25M-HT</i>
206	1	054782	P2B-SCM-100-HT	@	F2B-SCM-100-HT	@	F4B-SCM-100-HT
	1-1/8	@	P2B-SC-102-HT	062877	F2B-SC-102-HT	@	F4B-SC-102-HT
	1-3/16	053169	P2B-SC-103-HT	052604	F2B-SC-103-HT	054419	F4B-SC-103-HT
	1-1/4	062829	P2B-SC-104S-HT	@	F2B-SC-104S-HT	049462	F4B-SC-104S-HT
	30 mm	@	<i>P2B-SC-30M-HT</i>	@	<i>F2B-SC-30M-HT</i>	054534	<i>F4B-SC-30M-HT</i>
206 (SCU)	1-1/8	@	P2B-SCU-102-HT	-----	-----	-----	-----
	1-3/16	059737	P2B-SCU-103-HT	-----	-----	-----	-----
	1-1/4	057847	P2B-SCU-104S-HT	-----	-----	-----	-----
	30 mm	@	<i>P2B-SCU-30M-HT</i>	-----	-----	-----	-----
207	1-3/16	054314	P2B-SCM-103-HT	@	F2B-SCM-103-HT	@	F4B-SCM-103-HT
	30mm	@	<i>P2B-SCM-30M-HT</i>	059673	<i>F2B-SCM-30M-HT</i>	@	<i>F4B-SCM-30M-HT</i>
	1-1/4	058262	P2B-SC-104-HT	052311	F2B-SC-104-HT	051826	F4B-SC-104-HT
	1-3/8	@	P2B-SC-106-HT	@	F2B-SC-106-HT	@	F4B-SC-106-HT
	1-7/16	050189	P2B-SC-107-HT	054300	F2B-SC-107-HT	@	F4B-SC-107-HT
	1-7/16	052531	P2B-SCB-107-HT	-----	-----	-----	-----
208	35 mm	@	<i>P2B-SC-35M-HT</i>	@	<i>F2B-SC-35M-HT</i>	058690	<i>F4B-SC-35M-HT</i>
	1-7/16	054276	P2B-SCM-107-HT	@	F2B-SCM-107-HT	054342	F4B-SCM-107-HT
	1-1/2	057338	P2B-SC-108-HT	054203	F2B-SC-108-HT	051827	F4B-SC-108-HT
	1-5/8	@	P2B-SC-110-HT	@	F2B-SC-110-HT	058194	F4B-SC-110-HT
40 mm	062572	<i>P2B-SC-40M-HT</i>	@	<i>F2B-SC-40M-HT</i>	@	<i>F4B-SC-40M-HT</i>	

@ Assembled to order.

FEATURES/BENEFITS PAGE B3-2	SELECTION PAGE B3-6	SELECTION/DIMENSIONS PAGE B3-10	MODIFICATION/ACCESSORIES PAGE B3-132
--------------------------------	------------------------	------------------------------------	---

RELATED PRODUCTS



Setscrew Ball Bearings HIGH TEMPERATURE SC & SCM BALL BEARINGS

Series	Shaft Size	Pillow Blocks		2 Bolt Flanges		4 Bolt Flanges	
		Part Number	Description	Part Number	Description	Part Number	Description
209	1-1/2	058380	P2B-SCM-108-HT	054203	F2B-SCM-108-HT	064557	F4B-SCM-108-HT
	1-5/8	@	P2B-SC-110L-HT	@	F2B-SC-110L-HT	@	F4B-SC-110L-HT
	1-11/16	053563	P2B-SC-111-HT	@	F2B-SC-111-HT	057212	F4B-SC-111-HT
	1-11/16	058619	P2B-SCB-111-HT	-----	-----	-----	-----
	1-3/4	@	P2B-SC-112-HT	062157	F2B-SC-112-HT	051825	F4B-SC-112-HT
	45 mm	@	<i>P2B-SC-45M-HT</i>	@	<i>F2B-SC-45M-HT</i>	@	<i>F4B-SC-45M-HT</i>
210	1-11/16	054315	P2B-SCM-111-HT	@	F2B-SCM-111-HT	054593	F4B-SCM-111-HT
	1-3/4	@	P2B-SCM-112-HT	057114	F2B-SCM-112-HT	057368	F4B-SCM-112-HT
	1-15/16	052047	P2B-SC-115-HT	@	F2B-SC-115-HT	052048	F4B-SC-115-HT
	1-15/16	052532	P2B-SCB-115-HT	-----	-----	-----	-----
	2	058183	P2B-SC-200-HT	062309	F2B-SC-200-HT	057132	F4B-SC-200-HT
50 mm	@	<i>P2B-SC-50M-HT</i>	062779	<i>F2B-SC-50M-HT</i>	@	<i>F4B-SC-50M-HT</i>	
211	1-15/16	052276	P2B-SCM-115-HT	@	F2B-SCM-115-HT	057363	F4B-SCM-115-HT
	2	054934	P2B-SCM-200-HT	@	F2B-SCM-200-HT	054065	F4B-SCM-200-HT
	2-3/16	053955	P2B-SC-203-HT	059954	F2B-SC-203-HT	058852	F4B-SC-203-HT
	2-1/4	@	P2B-SC-204-HT	@	F2B-SC-204-HT	054918	F4B-SC-204-HT
	55mm	@	<i>P2B-SC-55M-HT</i>	@	<i>F2B-SC-55M-HT</i>	049894	<i>F4B-SC-55M-HT</i>
212	2-3/16	054412	P2B-SCM-203-HT	@	F2B-SCM-203-HT	@	F4B-SCM-203-HT
	2-1/4	@	P2B-SCM-204-HT	@	F2B-SCM-204-HT	@	F4B-SCM-204-HT
	2-7/16	059614	P2B-SC-207-HT	@	F2B-SC-207-HT	057487	F4B-SC-207-HT
	60 mm	057800	<i>P2B-SC-60M-HT</i>	057800	<i>F2B-SC-60M-HT</i>	057801	<i>F4B-SC-60M-HT</i>
214	2-7/16	054316	P2B-SCM-207-HT	-----	-----	054917	F4B-SCM-207-HT
	2-1/2	@	P2B-SCM-208-HT	-----	-----	056630	F4B-SCM-208-HT
	2-11/16	@	P2B-SC-211-HT	-----	-----	@	F4B-SC-211-HT
	70 mm	@	<i>P2B-SC-70M-HT</i>	-----	-----	@	<i>F4B-SC-70M-HT</i>
215	2-15/16	056588	P2B-SC-215-HT	-----	-----	052550	F4B-SC-215-HT
	75 mm	@	<i>P2B-SC-75M-HT</i>	-----	-----	@	<i>F4B-SC-75M-HT</i>
216	2-15/16	054556	P2B-SCM-215-HT	-----	-----	052478	F4B-SCM-215-HT
	3	@	P2B-SCM-300-HT	-----	-----	059696	F4B-SCM-300-HT
	75mm	@	<i>P2B-SCM-75M-HT</i>	-----	-----	062182	<i>F4B-SCM-75M-HT</i>
218	3-7/16	049991	P2B-SCM-307-HT	-----	-----	057708	F4B-SCM-307-HT
	3-1/2	@	P2B-SCM-308-HT	-----	-----	058633	F4B-SCM-308-HT

@ Assembled to order.

FEATURES/BENEFITS PAGE B3-2	SELECTION PAGE B3-6	SELECTION/DIMENSIONS PAGE B3-10	MODIFICATION/ACCESSORIES PAGE B3-132
--------------------------------	------------------------	------------------------------------	---

RELATED PRODUCTS



Setscrew Ball Bearings HIGH TEMPERATURE SC & SCM BALL BEARINGS

Series	Shaft	Tapped Base Pillow Blocks		Flanged Bracket	
	Size	Part Number	Description	Part Number	Description
204	3/4	059636	TB-SC-012-HT	@	FB-SC-012-HT
205	1	057906	TB-SC-100-HT	@	FB-SC-100-HT
207	1-1/4	@	TB-SC-104-HT	056578	FB-SC-104-HT
211	2-3/16	050555	TB-SC-203-HT		

Series	Shaft	Non Expansion Pillow Blocks		Expansion Pillow Blocks	
	Size	Part Number	Description	Part Number	Description
206	1-3/16	054062	P2B-SC-103-HT	054063	P2B-SC-103-EHT
207	1-7/16	053894	P2B-SC-107-HT	053895	P2B-SC-107-EHT

Series	Shaft	Piloted Flanges	
	Size	Part Number	Description
206	1	058652	FC-SCM-100-HT
208	1-1/2	053871	FC-SC-108-HT
	1-1/2	057683	FC-SCM-108-HT
211	1-15/16	058915	FC-SCM-115-HT
	2-1/4	058233	FC-SC-204-HT
212	2-7/16	058738	FC-SC-207-HT
	55 mm	054837	FC-SCM-55M-HT
216	2-15/16	054831	FC-SCM-215-HT
	3	056911	FC-SCM-300-HT

Series	Shaft	Wide Slot Take-up		Narrow Slot Take-up	
	Size	Part Number	Description	Part Number	Description
210	1-15/16	057265	WSTU-SC-115-HT	054580	NSTU-SC-115-HT
211	55 mm	049893	WSTU-SC-55M-HT	@	NSTU-SC-55M-HT
	1-15/16	049891	WSTU-SCM-115-HT	@	NSTU-SCM-115-HT
212	2-7/16	057839	WSTU-SC-207-HT	@	NSTU-SC-207-HT
214	2-7/16	049811	WSTU-SCM-207-HT	@	-----
215	2-15/16	059844	WSTU-SC-215-HT	@	-----

@ Assembled to order.

FEATURES/BENEFITS PAGE B3-2	SELECTION PAGE B3-6	SELECTION/DIMENSIONS PAGE B3-10	MODIFICATION/ACCESSORIES PAGE B3-132
--------------------------------	------------------------	------------------------------------	---

RELATED PRODUCTS

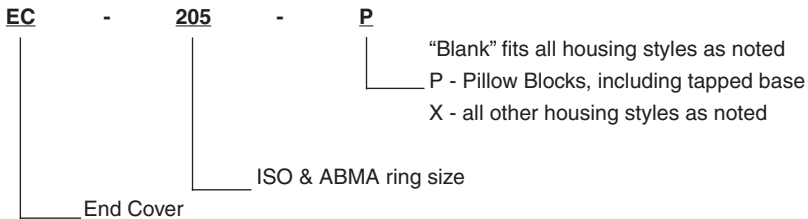


DODGE Ball Bearing End Covers*



- * Fits all styles of DODGE cast iron housed ball bearings: Pillow Blocks, 2 and 4 Bolt Flanges, and Take-Up bearings
- * Injected molded, impact resistant, OSHA safety yellow end covers meet requirements for exposed rotating shafts
- * Stainless steel "C" Washer for gripping power
- * No modification or machining of existing housings required
- * Concentric knockout grooves on inside of end cover for thru-shaft
- * DODGE six digit part number and description embossed inside
- * Operating temperature to 250°F
- * For non relubricable/sealed for life applications (-NL), part number **430020** hex head plug is available

Nomenclature



FEATURES/BENEFITS PAGE B3-2	SELECTION PAGE B3-6	SELECTION/DIMENSIONS PAGE B3-10	MODIFICATION/ACCESSORIES PAGE B3-132
--------------------------------	------------------------	------------------------------------	---

RELATED PRODUCTS



DODGE Ball Bearing End Covers*

Series	Pillow Blocks Std, U, B	Tapped Base PB	2 Bolt Flange	Flanged Bracket	4 Bolt Flange	Piloted Flange (FC)	Narrow Slot Take-Up	Wide Slot Take-Up
203	X		X		X			
204	X	X	X	X	X		X	X
205	X	X	X	X	X		X	X
206	X	X	X	X	X	@	X	X
207	X	X	X	X	X	@	X	X
208	X	X	X		X	@	X	X
209	X	X	X		X	@	X	X
210	X	X	X	X	X	@	X	X
211	X	X	X		X	NA	X	X
212	X		X		X	NA	X	X
214	X				X	NA		X
215	X				X			X
216	X				X	X		X
218	X				X	X		

* = Will not fit LF, LFT, SCHB, HNGR & CYL
 @ = Some modification required

NA = Will not fit
 X = Will fit

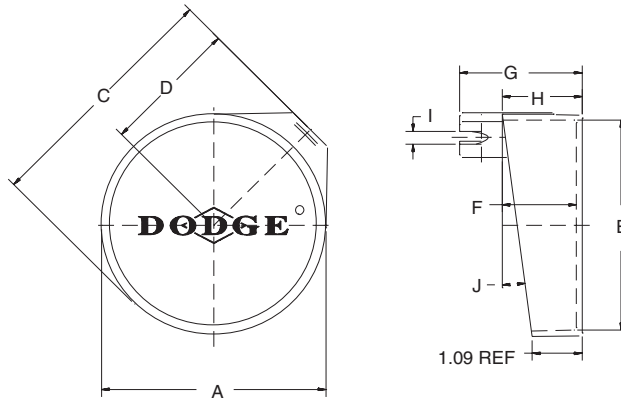
FEATURES/BENEFITS PAGE B3-2	SELECTION PAGE B3-6	SELECTION/DIMENSIONS PAGE B3-10	MODIFICATION/ACCESSORIES PAGE B3-132
--------------------------------	------------------------	------------------------------------	---

RELATED PRODUCTS



Setscrew Ball Bearings

BALL BEARING END COVERS FOR PILLOW BLOCKS & TAPPED BASE UNITS



Series	Shaft Size*		Part Number	Description
	SC, VSC, DL, SXR, SXV	SCM, DLM, SCH, SXRH, DLH		
203	1/2 & 5/8 17mm	-----	128200	EC-203-P
204	1/2 - 3/4 20mm	-----	128202	EC-204-P
205	7/8 - 1 25mm	-----	128204	EC-205-P
206	1-1/16 - 1-1/4 30mm	1 25mm	128206	EC-206-P
207	1-1/4 - 1-7/16 35mm	1-3/8 & 1-1/4 30mm	128208	EC-207-P
208	1-1/2 - 1-5/8 40mm	1-7/16 35mm	128210	EC-208-P
209	1-5/8 - 1-3/4 45mm	1-1/2 40mm	128212	EC-209-P
210	1-15/16 & 2 50mm	1-11/16 & 1-3/4 45mm	128214	EC-210-P
211	2 - 2-1/4 55mm	1-15/16 & 2 50mm	128216	EC-211-P
212	2-1/4 - 2-7/16 60mm	2-3/16 - 2-1/4 55mm	128218	EC-212-P

*NOTE: SCH, SXRH, and DLH use the next larger end cover. E.g. A P2B-DLH-103 would use a EC-207-P.

For no re-lube (_NL) applications, part number **430030**, hex head plus is available

FEATURES/BENEFITS PAGE B3-2	SELECTION PAGE B3-6	SELECTION/DIMENSIONS PAGE B3-10	MODIFICATION/ACCESSORIES PAGE B3-132
--------------------------------	------------------------	------------------------------------	---

RELATED PRODUCTS



Setscrew Ball Bearings

BALL BEARING END COVERS FOR PILLOW BLOCKS & TAPPED BASE UNITS

Series	Shaft Size*		A	B	C	D	E	F	G	H	I	J
	SC, VSC, DL, SXR, SXV	SCM, DLM, SCH, SXRH, DLH										
203	1/2 & 5/8 17mm	-----	1-25/32 45.2	1-43/64 42.4	2-7/64 53.6	1-3/32 27.7	1-41/64 41.7	49/64 19.56	1-29/64 37.1	29/32 22.9	1/4 6.4	9°
204	1/2 - 3/4 20mm	-----	2-3/64 52.0	1-27/32 46.7	2-37/64 65.3	1-19/64 33.0	1-55/64 47.2	1-1/64 25.65	1-49/64 45.0	1-5/32 29.5	5/16 7.9	11°
205	7/8 - 1 25mm	-----	2-3/8 60.2	2-3/16 55.6	2-13/16 71.4	1-3/16 35.0	2-5/32 54.9	1-1/16 26.92	1-7/8 47.8	1-7/32 31.0	11/32 8.6	9°
206	1-1/16 - 1-1/4 30mm	1 25mm	2-47/64 69.3	2-17/32 64.3	3-21/64 84.3	1-45/64 43.2	2-1/2 63.5	1-15/64 31.5	2-5/32 54.9	1-13/32 35.6	23/64 8.9	9°
207	1-1/4 - 1-7/16 35mm	1-3/6 & 1-1/4 30mm	3-1/4 82.6	3 76.20	3-51/64 96.3	1-29/32 48.5	3-1/64 76.7	1-5/16 33.27	2-11/32 59.4	1-31/64 37.6	3/8 9.4	7° 3'
208	1-1/2 - 1-5/8 40mm	1-7/16 35mm	3-3/8 85.9	3-1/8 79.5	4 101.60	2-1/16 52.3	3-7/64 79.0	1-19/64 33.02	2-13/32 61.0	1-1/2 38.1	27/64 10.7	6°
209	1-5/8 - 1-3/4 45mm	1-1/2 40mm	3-11/16 93.7	3-15/32 88.1	4-17/64 108.2	2-11/64 55.1	3-13/32 86.6	1-21/64 33.78	2-21/64 59.2	1-17/32 38.9	25/64 9.9	7°
210	1-15/16 & 2 50mm	1-11/16 & 1-3/4 45mm	3-7/8 98.6	3-37/64 90.9	4-1/2 114.3	2-19/32 59.2	3-37/64 90.9	1-23/64 34.29	2-1/2 63.5	1-9/16 39.6	31/64 12.5	9°
211	2 - 2-1/4 55mm	1-15/16 & 2 50mm	4-27/64 12.3	4 101.60	5-1/16 128.5	2-19/32 66.0	4-1/8 104.7	1-13/32 35.81	2-37/64 65.3	1-5/8 41.2	29/64 11.4	7°
212	2-1/4 - 2-7/16 60m	2-3/16 - 2-1/4 55mm	4-59/64 125.0	4-15/32 113.3	5-29/64 138.7	2-3/4 69.9	4-39/64 117.1	1-17/32 38.86	2-11/16 68.3	1-3/4 44.5	13/32 10.4	8°

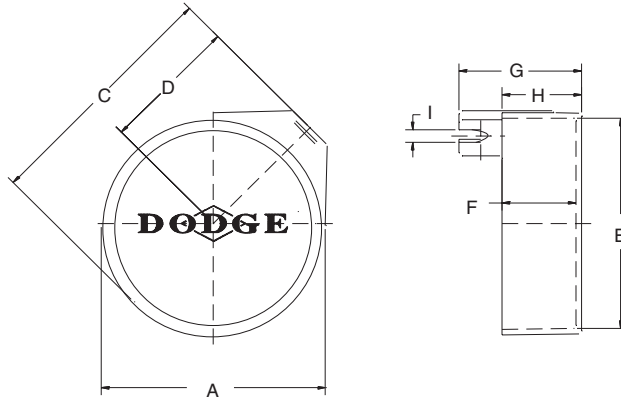
FEATURES/BENEFITS PAGE B3-2	SELECTION PAGE B3-6	SELECTION/DIMENSIONS PAGE B3-10	MODIFICATION/ACCESSORIES PAGE B3-132
--------------------------------	------------------------	------------------------------------	---

RELATED PRODUCTS



Setscrew Ball Bearings

BALL BEARING END COVERS FOR MOUNTED UNITS OTHER THAN PILLOW BLOCKS & TAPPED BASE UNITS



Series	Shaft Size*		Part Number	Description
	SC, VSC, DL, SXR, SXV	SCM & DLM		
203	1/2 & 5/8 17mm	----- -----	128201	EC-203-X
204	1/2 - 3/4 20mm	----- -----	128203	EC-204-X
205	7/8 - 1 25mm	----- -----	128205	EC-205-X
206	1-1/16 - 1-1/4 30mm	1 25mm	128207	EC-206-X
207	1-1/4 - 1-7/16 35mm	1-3/6 & 1-1/4 30mm	128209	EC-207-X
208	1-1/2 - 1-5/8 40mm	1-7/1 635mm	128211	EC-208-X
209	1-5/8 - 1-3/4 45mm	1-1/2 40mm	128213	EC-209-X
210	1-15/16 & 2 50mm	1-11/16 & 1-3/4 45mm	128215	EC-210-X
211	2 - 2-1/4 55mm	1-15/16 & 2 50mm	128217	EC-211-X
212	2-1/4 - 2-7/16 60mm	2-3/16 - 2-1/4 55mm	128219	EC-212-X

*NOTE: Above end covers will not fit the LF and LFT bearings

For no re-lube (_NL) applications, part number **430030**, hex head plus is available

RELATED PRODUCTS



Setscrew Ball Bearings

BALL BEARING END COVERS FOR MOUNTED UNITS OTHER THAN PILLOW BLOCKS & TAPPED BASE UNITS

Series	Shaft Size*		Weight lbs gm	A	B	C	D	E	F	G	H	I
	SC, VSC, DL, SXR, SXV	SCM & DLM										
203	1/2 & 5/8 17mm	----- -----	0.02 1	1-51/64 45.5	1-43/64 42.4	2-13/64 56.1	1-3/16 30.2	1-41/64 41.7	51/64 20.3	1-29/64 37.1	15/16 23.9	1/4 6.4
204	1/2 - 3/4 20mm	----- -----	0.03 15	2-7/32 56.1	2 50.8	2-47/64 69.6	1-25/64 35.3	2-1/32 51.6	1-1/64 25.7	1-13/16 45.7	1-5/32 29.5	5/16 7.9
205	7/8 - 1 25mm	----- -----	0.05 24	2-3/8 60.2	2-3/16 55.6	3-3/64 77.2	1-19/32 40.6	2-5/32 54.9	1-1/64 25.7	1-53/64 46.5	1-11/64 29.7	11/32 8.7
206	1-1/16 - 1-1/4 30mm	1 25mm	0.08 36	2-47/64 69.3	2-17/32 64.3	3-21/64 84.3	1-45/64 43.2	2-1/2 63.5	1-3/16 30.2	2-1/16 52.3	1-23/64 34.5	23/64 8.9
207	1-1/4 - 1-7/16 35mm	1-3/8 & 1-1/4 30mm	0.12 53	3-1/4 82.6	3 76.2	3-27/32 97.5	1-31/32 50.0	3-1/64 76.7	1-11/32 34.5	2-11/32 59.4	1-17/32 38.9	3/8 9.4
208	1-1/2 - 1-5/8 40mm	1-7/16 65mm	0.14 64	3-3/8 85.9	3-1/8 79.5	4 101.60	2-1/16 52.3	3-7/64 79.0	1-19/64 33.0	2-13/32 61.0	1-1/2 38.1	27/64 10.7
209	1-5/8 - 1-3/4 45mm	1-1/2 40mm	0.16 73	3-11/16 93.7	3-15/32 88.1	4-17/64 108.2	2-11/64 55.1	3-13/32 86.6	1-23/64 34.3	2-21/64 59.2	1-17/32 38.9	25/64 9.9
210	1-15/16 & 2 50mm	1-11/16 & 1-3/4 45mm	0.18 82	3-7/8 98.6	3-37/64 90.9	4-1/2 114.3	2-21/64 59.2	3-9/16 90.9	1-23/64 34.3	2-33/64 63.8	1-9/16 39.6	31/64 12.4
211	2 - 2-1/4 55mm	1-15/16 & 2 50mm	0.24 108	4-27/64 112.3	4 101.6	5-1/16 128.5	2-19/32 66.0	4-1/8 104.7	1-29/64 36.8	2-37/64 65.3	1-21/32 42.2	29/64 11.4
212	2-1/4 - 2-7/16 60mm	2-3/16 - 2-1/4 55mm	0.27 124	4-59/64 125	4-15/32 113.3	5-15/32 138.7	2-3/4 69.9	4-39/64 117.1	1-35/64 39.1	2-11/16 68.3	1-3/4 44.5	13/32 10.4

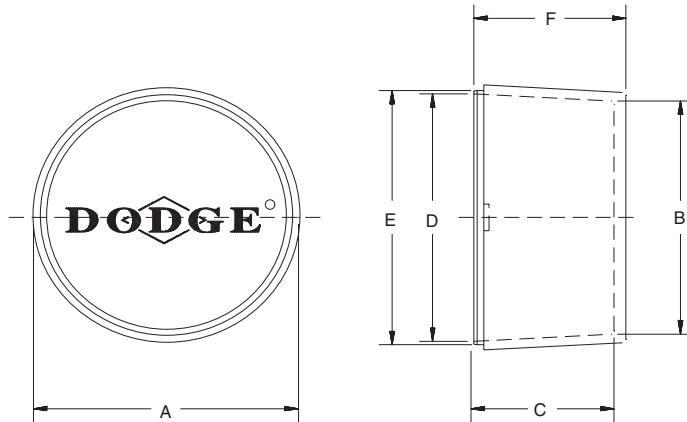
FEATURES/BENEFITS PAGE B3-2	SELECTION PAGE B3-6	SELECTION/DIMENSIONS PAGE B3-10	MODIFICATION/ACCESSORIES PAGE B3-132
--------------------------------	------------------------	------------------------------------	---

RELATED PRODUCTS



Setscrew Ball Bearings

BALL BEARING END COVERS FOR MOUNTED UNITS 214 SERIES & LARGER



Series	Shaft Size		Part Number	Description
	SC, VSC, DL, SXR, SXV, SCHSXRH, DLH	SC, VSC, DL, SCM & DLM		
214	2-1/2 & 2-11/16 70mm	2-7/16 & 2-1/2 65mm	128220	EC-214
215	2-15/16 75mm	2-11/16 70mm	128221	EC-215
216	----- -----	2-15/16 & 3 75mm	128222	EC-216
218	----- -----	3-7/16 & 3-1/2 85mm	128223	EC-218

FEATURES/BENEFITS PAGE B3-2	SELECTION PAGE B3-6	SELECTION/DIMENSIONS PAGE B3-10	MODIFICATION/ACCESSORIES PAGE B3-132
--------------------------------	------------------------	------------------------------------	---

RELATED PRODUCTS



Setscrew Ball Bearings

Bearing Quick Reference

E-Z KLEEN

GRIP TIGHT Adapter Ball Bearing

Setscrew Ball Bearing

Eccentric Collar Ball Bearing

Series	Shaft Size		Weight lbs gm	A	B	C	D	E	F
	SC, VSC, DL, SXR, SXV, SCHSXRH, DLH	SC, VSC, DL, SCM & DLM							
214	2-1/2 & 2-11/16 70mm	2-7/16 & 2-1/2 65mm	0.33 151	4-15/16 125.5	4-7/16 112.8	2-39/64 66.3	4-39/64 117.1	4.741/4.737 120.4/120.3	2-53/64 71.9
215	2-15/16 75mm	2-11/16 70mm	0.36 164	5-3/32 129.3	4-49/64 120.9	2-29/64 62.5	4-3/4 120.7	4.944/4.940 125.6/125.5	2-7/8 72.9
216	----- -----	2-15/16 & 3 75mm	0.44 201.00	5-9/16 141.2	5-15/64 132.8	2-47/64 69.6	5-13/64 132.1	5.350/5.346 135.9-135.8	2-63/64 75.7
218	----- -----	3-7/16 & 3-1/2 85mm	0.57 257	6-5/16 160.3	5-29/32 149.9	2-27/32 72.1	5-15/16 150.6	6.100/6.096 154.9/154.8	3-3/32 78.5

FEATURES/BENEFITS PAGE B3-2	SELECTION PAGE B3-6	SELECTION/DIMENSIONS PAGE B3-10	MODIFICATION/ACCESSORIES PAGE B3-132
--------------------------------	------------------------	------------------------------------	---

NOTES



FEATURES/BENEFITS PAGE B3-2	SELECTION PAGE B3-6	SELECTION/DIMENSIONS PAGE B3-10	MODIFICATION/ACCESSORIES PAGE B3-132
--------------------------------	------------------------	------------------------------------	---